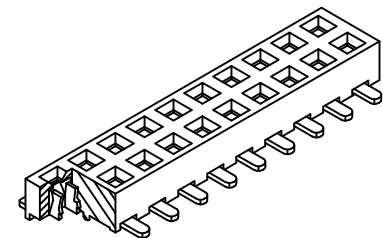
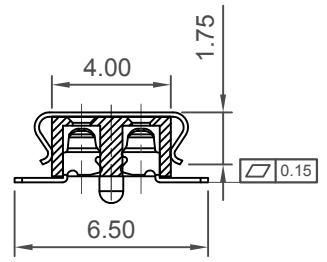
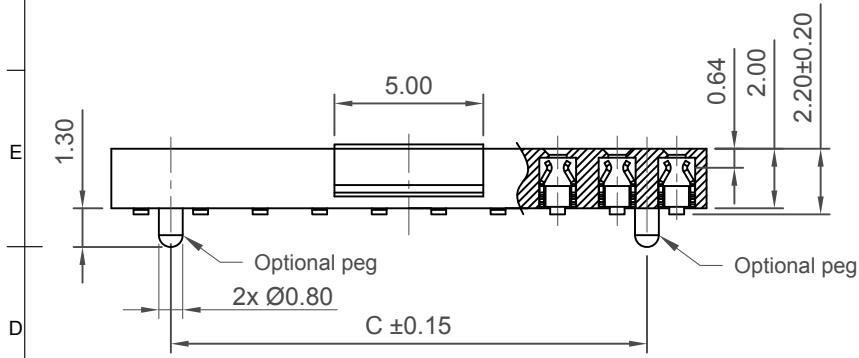


Recommended PCB Layout

Legend: Solder Area

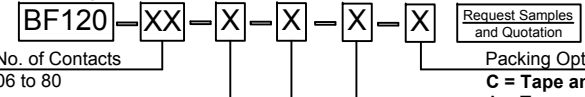


CONTACTS	DIMENSIONS		
	A	B	C
6	4.0	6.0	2.0
8	6.0	8.0	4.0
10	8.0	10.0	6.0
12	10.0	12.0	8.0
14	12.0	14.0	10.0
16	14.0	16.0	12.0
18	16.0	18.0	14.0
20	18.0	20.0	16.0
22	20.0	22.0	18.0
24	22.0	24.0	20.0
26	24.0	26.0	22.0
28	26.0	28.0	24.0
30	28.0	30.0	26.0
32	30.0	32.0	28.0
34	32.0	34.0	30.0
36	34.0	36.0	32.0
38	36.0	38.0	34.0
40	38.0	40.0	36.0
42	40.0	42.0	38.0
44	42.0	44.0	40.0
46	44.0	46.0	42.0
48	46.0	48.0	44.0
50	48.0	50.0	46.0
52	50.0	52.0	48.0
54	52.0	54.0	50.0
56	54.0	56.0	52.0
58	56.0	58.0	54.0
60	58.0	60.0	56.0
62	60.0	62.0	58.0
64	62.0	64.0	60.0
66	64.0	66.0	62.0
68	66.0	68.0	64.0
70	68.0	70.0	66.0
72	70.0	72.0	68.0
74	72.0	74.0	70.0
76	74.0	76.0	72.0
78	76.0	78.0	74.0
80	78.0	80.0	76.0

Specifications 规格

Current Rating 电流额定值: 2 Amp
 Insulator Resistance 绝缘电阻值: 1000 MΩ min.
 Contact Resistance 接触电阻值: 20 mΩ max.
 Dielectric Withstanding 耐电压: AC 500 V
 Operating Temperature 工作温度: -40°C to +105°C
 Contact Material 端子物料: Phosphor Bronze
 Insulator Material 绝缘体物料:
 Standard 标准物料: Polyamide 聚酰胺, Nylon 6T, UL 94V-0
 Options 可选物料: Polyester 聚酯, LCP, UL 94V-0
 Soldering Process 可焊性:
 Nylon 6T (Standard 标准物料)
 IR Reflow 回流焊: 260°C for 10 sec.
 Wave 波峰焊: 230°C for 5-10 sec.
 Manual Solder 人工焊接: 350°C for 3-5 sec
 LCP (Option 可选物料)
 IR Reflow 回流焊: 260°C for 10 sec.
 Wave 波峰焊: 250°C for 5-10 sec.
 Manual Solder 人工焊接: 350°C for 3-5 sec
 Mates with 配套之母座 (Subject to pin length 在端子长度适合的条件下):
 BF030 BF045 BF050 BF055 BF060
 BF135 BF140 BF145

Ordering Grid



No. of Contacts
06 to 80

Packing Options

- C = Tape and Reel with Film (Standard)
- A = Tape and Reel
- B = Tape and Reel with Cap
- D = Tube
- E = Tube and Cap
- F = Tube and Film

Insulator Material

- N = Nylon 6T (Standard)
- L = LCP

Contact Plating

- A = Gold Flash All Over (Standard)
- C = Tin All Over
- N = 30u" gold on contact area, gold flash on tail
- P = 10u" gold on contact area, gold flash on tail

Locating Peg

- 0 = No Peg
- 1 = With Peg

Part Number		Product Description	
BF120		2.00mm Pitch Socket	
Drawing Date		Dual Row, Surface Mount, Dual Entry	
31st October 2007			
By	AJO	Tolerances (Except as Noted)	Units:
Detail	BF120	Length	Metric (mm)
Revision	G PCN	X. ± 0.30	X.° ± 5°
Date	01/12/14	X.X ± 0.20	X.X° ± 2°
		X.XX ± 0.15	X.XX° ± 1°
		X.XXX ± 0.10	X.XXX° ± 0.5°



This drawing is confidential and copyright of Global Connector Technology, Ltd (GCT). This drawing must not be copied or disclosed without written consent. E & OE

GCT
Global Connector Technology
www.gct.co

Not to Scale	Drawn By LYH	Sheet No. 1/1
--------------	--------------	---------------

X-ON Electronics

Largest Supplier of Electrical and Electronic Components

Click to view similar products for GCT manufacturer:

Other Similar products are found below :

[BD021-09A-A1-0350-0200-0550-LD](#) [BG095-10-A-N-D](#) [BG165-04-A-A-N-H](#) [BC070-06-A-1-L-D](#) [BG100-06-A-N-D](#) [SIM7050-8-0-00-A](#)
[SIM7200-6-0-18-00-A](#) [BD020-08-A-J-0350-0300-L-G](#) [SIM7100-6-1-15-00-A](#) [BF020-03-A-B-0600-0300-N-G](#) [DCJ250-15-A-K1-C](#)
[USB4070-30-C](#) [BC085-08-A-0390-L-D](#) [BG030-04-A-0450-0300-N-G](#) [BG306-03-A-1-0400-L-B](#) [BD050-10-A-0-0500-L-D](#) [BC050-06A-K0-](#)
[0200-0160-0480-LG](#) [BG301-05-A-0540-L-B](#) [SIM5055-6-1-25-00-A](#) [BC050-10A-K0-0200-0160-0480-LD](#) [SIM5060-6-0-26-00-A](#) [BD020-06-](#)
[A-J-0350-0300-L-G](#) [BD020-10-A-J-0350-0300-L-G](#) [MEM2067-02-180-00-A](#) [DCJ235-05-A-K1-K](#) [BG302-03-A-L-G](#) [BF085-06-A-0240-N-D](#)
[BC070-20-A-1-L-D](#) [USB4065-30-A](#) [DCJ250-10-A-K1-K](#) [BG040-06-A-0450-0300-N-G](#) [BG302-04-A-L-G](#) [BG301-04-A-0540-L-B](#)
[USB4055-30-A](#) [USB2066-05-RBHM-15-STB-00-00-A](#) [BG030-06-A-0450-0300-N-G](#) [BC020-10-A-0380-0300-L-G](#) [BG095-07-A-N-D](#)
[DCJ065-05-A-K1-A](#) [USB3160-30-0070-1-C](#) [BG120-08-A-0-N-D](#) [BD080-05-A-0230-L-D](#) [BC050-12A-K0-0200-0160-0480-LD](#) [BG300-06-](#)
[A-L-A](#) [BG301-02-A-0540-L-B](#) [USB3160-30-0120-1-C](#) [BC085-12-A-0390-L-D](#) [BF020-02-A-B-0400-0300-N-G](#) [BG303-04-A-0300-L-G](#)
[BC050-14A-K0-0200-0160-0480-LD](#)