

Our most popular beacon is now even better!

The New Lucas Premium Beacon



Features

- **NEW!** belt drive mechanism
- All models 12/24V*
- 4 popular mounting options
- Low profile lens
- Advanced reflector technology gives up to 20% increase in light output
- Extended 2 Year Warranty
- Available in amber, blue, red and green

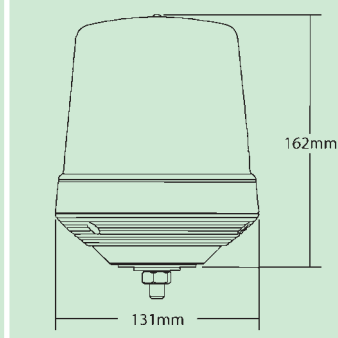
* Requires belt adjustment

See over for part number guide and technical specifications →

TECHNICAL SPECIFICATIONS

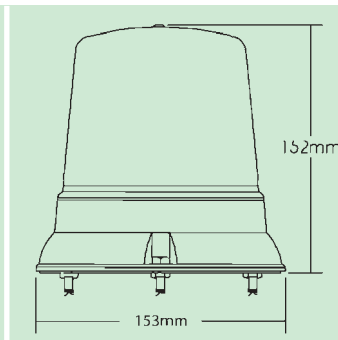
1 Bolt

- LBB122
amber
- LBB122C
blue
- LBB122R
red
- LBB122G
green



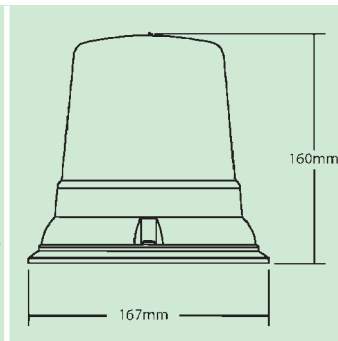
3 Bolt

- LBB255K
amber
- LBB255C
blue
- LBB255R
red
- LBB255G
green



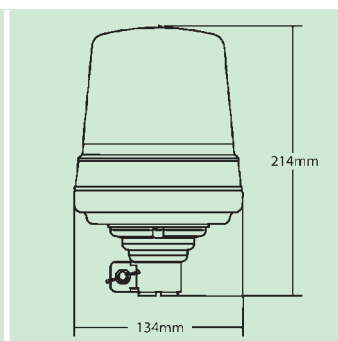
Magnetic

- LBB260K
amber
- LBB260C
blue
- LBB260R
red
- LBB260G
green



Flexi DIN

- LBB272
amber
- LBB272C
blue
- LBB272R
red
- LBB272G
green



Specification

- Voltage: 12/24V
- Flash rate: 160 FPM
- Temperature range: -20°C to +50°C
- Lens material: Polycarbonate
- Amps: 4.6A @ 12V
3.0A @ 24V
- Bulb: H1 12V 55W included

Approvals

- ECE Reg 65 'E' (amber only)
- ECE Reg 10 'E'



Lucas Warning & Safety
 Victoria Industrial Estate
 Victoria Road
 Leeds
 LS14 2LA
 Tel: 0870 608 0763
 Fax: 0113 237 5630

X-ON Electronics

Largest Supplier of Electrical and Electronic Components

Click to view similar products for [Lucas manufacturer](#):

Other Similar products are found below :

[LBB772](#) [A-LBB203L](#) [A-LBB304L](#) [LLX448BLX2](#) [LLX477BLX2](#) [LBB755K](#) [A-LBB202L](#) [A-LBB204L](#) [A-LBB205L](#) [LLX448XLPX2](#)
[LLX466BLX2](#) [LLX472BLX2](#) [LLX483BLX2](#) [LLX9006XLPX2](#) [LBB760K](#) [GF30042](#) [A-LBB302L](#) [A-LBB760K](#) [LLD2R](#) [LLX484BLX2](#)
[LLX477BL50X2](#) [LLX472XLTX2](#) [LLX472BL50X2](#) [LLX472XLPX2](#) [LLX475BLX2](#) [LLX9005BLX2](#) [LLX9005XLPX2](#) [LLX448XLTX2](#) [A-](#)
[LBB001](#) [LLB9005](#) [LLX448XLSX2](#) [LLX460BLX2](#) [LLX9006BLX2](#) [LLB711](#) [LLD1R](#) [LLD2S](#) [LLX453BLX2](#) [LLD1S](#) [LLB466](#) [LLB9006](#)
[LLX775BLX2](#) [LLZ481-H4](#) [LLX477XLPX2](#) [LLZ607](#) [LLB709](#) [LLB479](#) [LLZB482](#) [LLB294T](#) [LLX477XLSX2](#) [LLB460](#)