

Dual Diode Power Modules are designed for use in power electronic circuits and equipment under normal operating conditions.

## KEY PARAMETERS

$U_{RRM}$	up to 1600 V
$I_{F(AV)}$	200 A
$I_{FSM}$	5500 A



See package details for further information

## APPLICATION

- High Voltage Power Supplies
- Motor Control
- Battery Chargers
- Resistance Welding

## FEATURES

- electrically isolated base
- high current capabilities
- high surge current capabilities
- high rates voltages
- low thermal impedance (Aluminium Nitride Insulators)
- tested according to IEC standards
- compact size and small weight

Designed for use in high power industrial and commercial power electronic circuits and equipment where high currents are encountered and high reliability is essential.

## ORDERING INFORMATION

When ordering please refer to device code builder presented below.  
Please use the complete part number when ordering, quote or in any future correspondence relating to your order.

MD  -200-

\_\_\_\_\_ Voltage class (hundred volts)

\_\_\_\_\_ Elements configuration (see drawings)

**ELECTRICAL PARAMETERS**
**Voltage ratings**

Voltage class	$U_{RRM}$	$U_{RSM}$	$I_{RRM}$
	V	V	mA
04	400	500	30
06	600	700	
08	800	900	
10	1000	1100	
12	1200	1300	
14	1400	1500	
16	1600	1700	

**Electrical properties**

Parameter	Unit	Test conditions	Value
Average forward current @ case temperature	$I_{F(AV)}$	A	200
	$T_C$	°C	100
RMS forward current	$I_{F(RMS)}$	A	314
Surge current	$I_{FSM}$	A	$T_j = T_{j,max}$ , $U_R = 0,8U_{RRM}$ , $t_p = 10ms$
$I^2t$ – value	$I^2t$	$kA^2s$	150
Forward voltage drop max.	$U_{FM}$	V	$T_j = 25^\circ C$ , $I_{FM} = 800A$
Threshold voltage	$U_{F(T0)}$	V	0,71
Slope resistance	$r_F$	$m\Omega$	1,22
RMS isolation voltage	$U_{isol}$	V	1 s, circuit to base, all terminals shorted

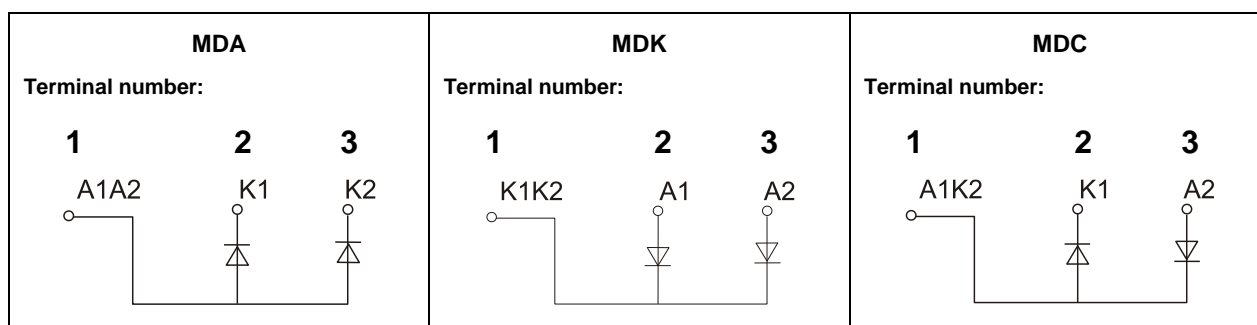
## Termal properties

Parameter	Unit	Test conditions	Value	
Thermal resistance, junction to case per diode/per module	$R_{thjc}$	°C/W	DC	0,18 / 0,09
Thermal resistance, case to heatsink per diode/per module	$R_{thch}$	°C/W		0,10 / R0,05
Operating junction temperature	$T_{jmin}...T_{jmax}$	°C		-40...+150
Storage temperature	$T_{stg}$	°C		-40...+150

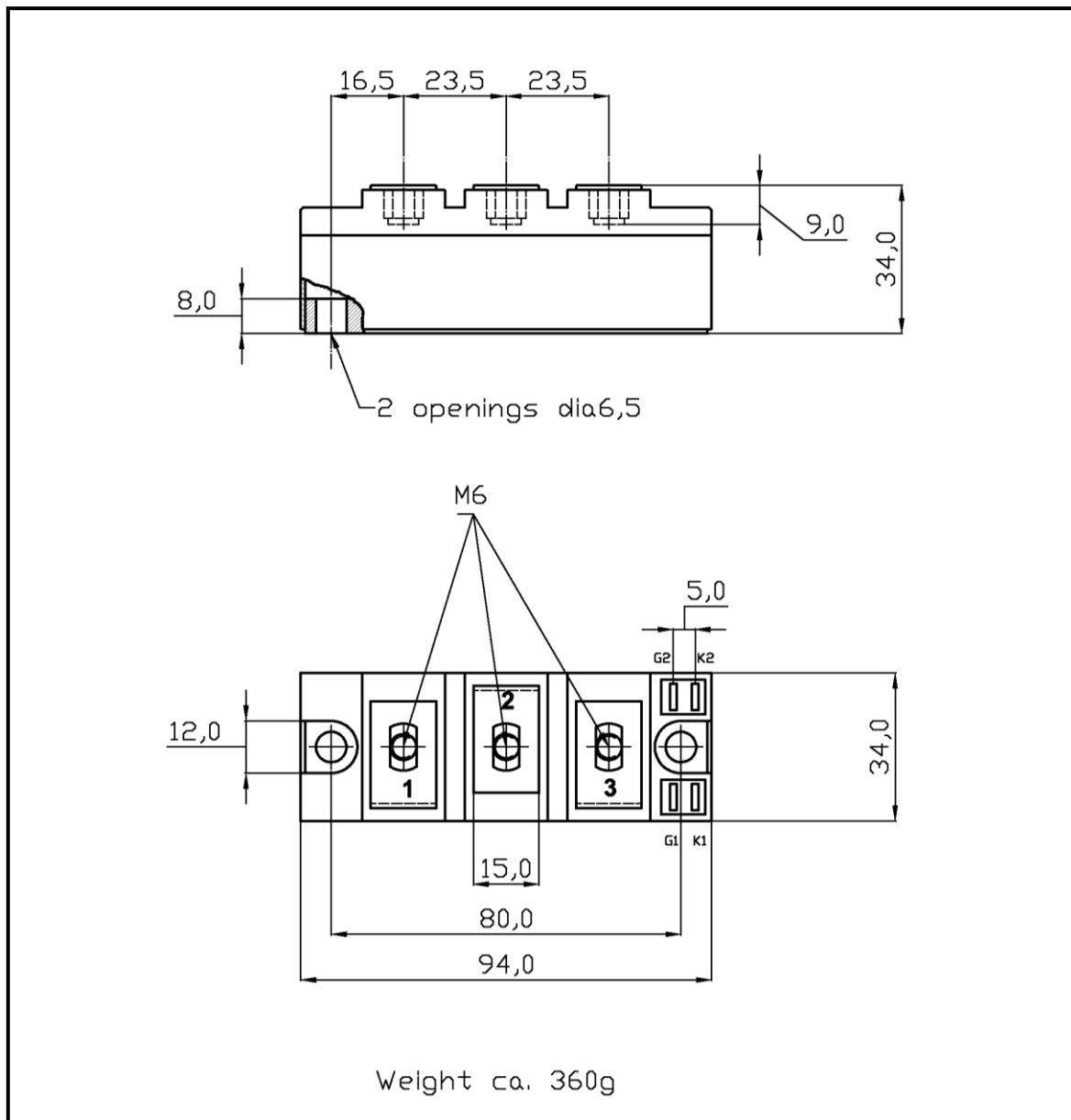
## Mechanical properties

Parameter	Unit	Value	
Mounting torque (M6)	M1	Nm	6,00 ±15%
Terminal connection torque (M6)	M2	Nm	6,00 ±15%
Weight	M	g	360

## Cofigurations

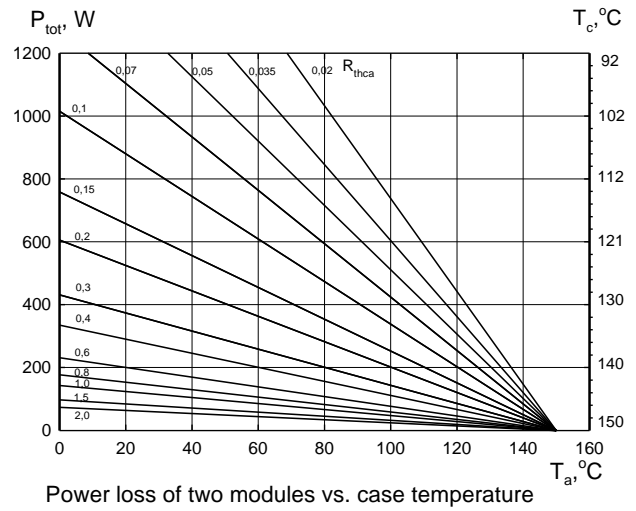
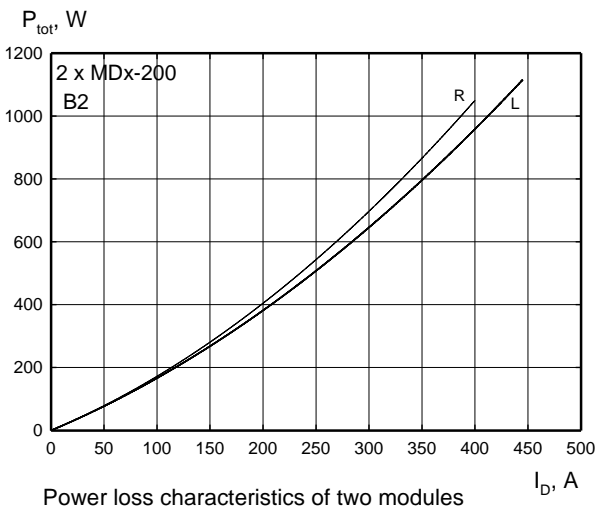
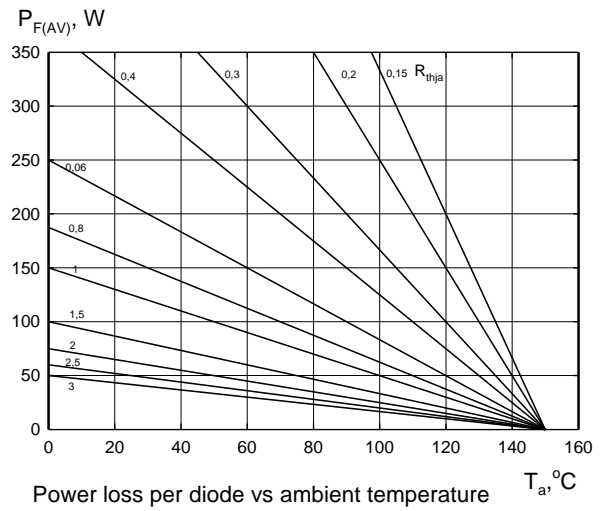
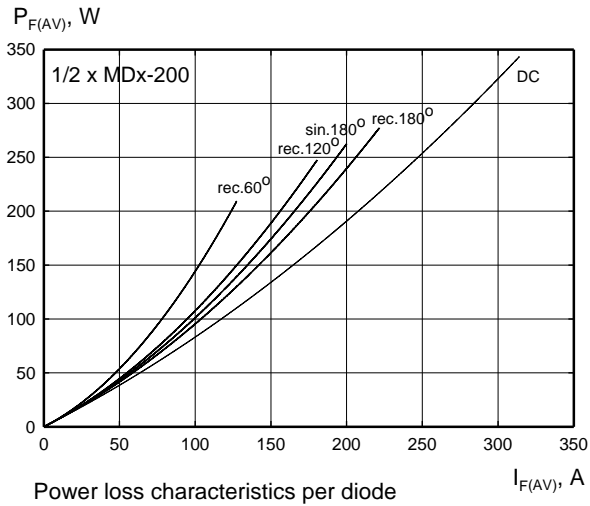


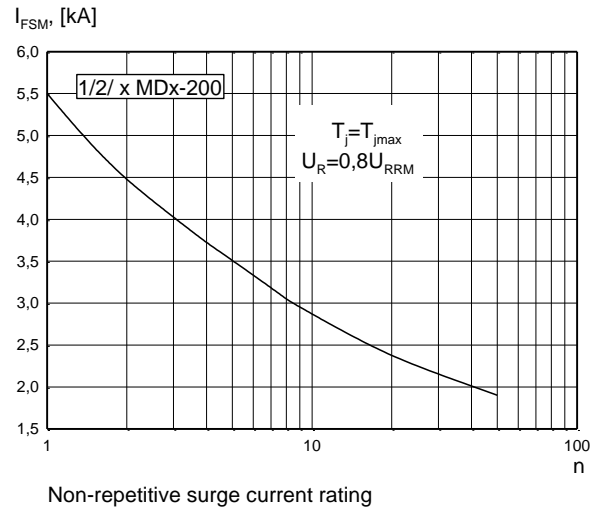
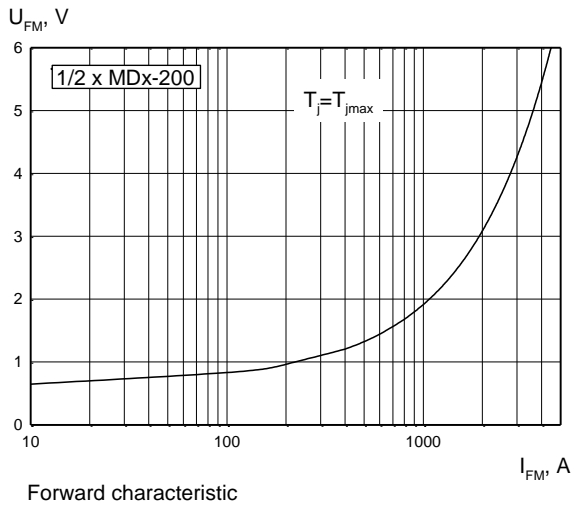
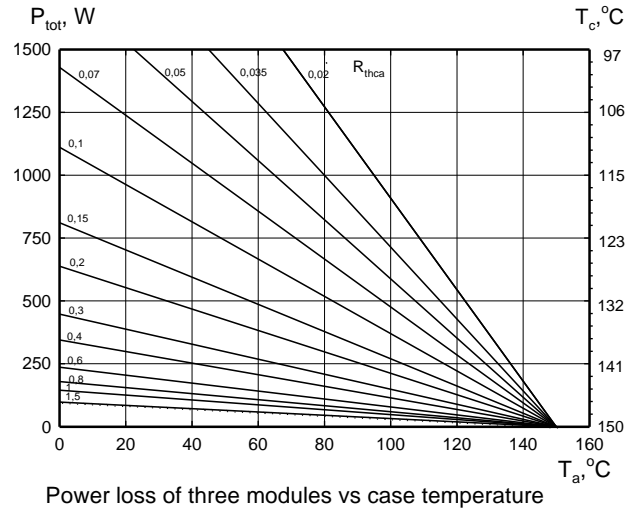
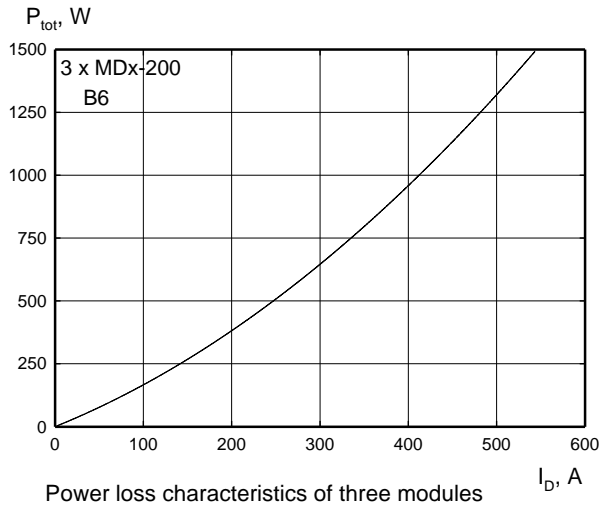
**Package details**

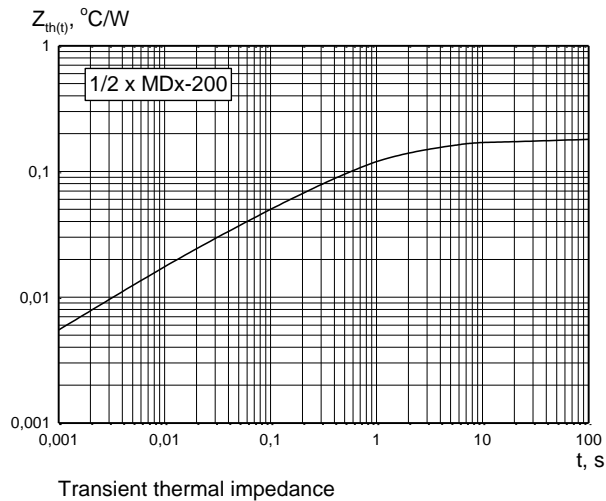


For further package information, please contact Sales & Marketing Department. All dimensions in mm, unless stated otherwise.  
Do not scale.

**CHARACTERISTICS**







## HEATSINKS

**KUBARA LAMINA SA** has its own proprietary range of extruded aluminium heatsinks designed to optimise the performance of our semiconductors with natural and forced air flow.

## POWER ASSEMBLY CAPABILITY

**KUBARA LAMINA SA** provides a support for those customers requiring more than a basic semiconductor and offers precisely assembled Power Blocks according to factory or customer standards.

## X-ON Electronics

Largest Supplier of Electrical and Electronic Components

*Click to view similar products for [Schottky Diodes & Rectifiers](#) category:*

*Click to view products by [KUBARA LAMINA](#) manufacturer:*

Other Similar products are found below :

[CUS06\(TE85L,Q,M\)](#) [MA4E2508M-1112](#) [D1FH3-5063](#) [MBR0530L-TP](#) [MBR10100CT-BP](#) [MBR30H100MFST1G](#) [MMBD301M3T5G](#)  
[PMAD1103-LF](#) [PMAD1108-LF](#) [RB160M-50TR](#) [RB520S-30](#) [RB551V-30](#) [D83C](#) [DD350N18K](#) [DZ435N40K](#) [DZ600N16K](#)  
[BAS16E6433HTMA1](#) [BAS 3010S-02LRH E6327](#) [BAT 15-099R E6327](#) [BAT 54-02LRH E6327](#) [NRVBAF360T3G](#) [NRVTS10100MFST1G](#)  
[NRVTS12100EMFST1G](#) [NSR05F40QNXT5G](#) [NSVR05F40NXT5G](#) [JANS1N6640](#) [SB07-03C-TB-H](#) [SB1003M3-TL-W](#) [SBAT54CWT1G](#)  
[SK32A-LTP](#) [SK33A-TP](#) [SK34A-TP](#) [SK34B-TP](#) [SMD1200PL-TP](#) [ACDBN160-HF](#) [SS3003CH-TL-E](#) [STPS3045CPIRG](#) [STPS30S45CW](#)  
[PDS3100Q-7](#) [GA01SHT18](#) [CRS10I30A\(TE85L,QM\)](#) [CRS10I30B\(TE85L,QM\)](#) [MBR1240MFST1G](#) [MBR20100CT-BP](#) [MBRB30H30CT-1G](#)  
[BAS28E6433HTMA1](#) [BAS 70-02L E6327](#) [BYS11-90-E3TR3](#) [JANTX1N5712-1](#) [VS-STPS40L45CW-N3](#)