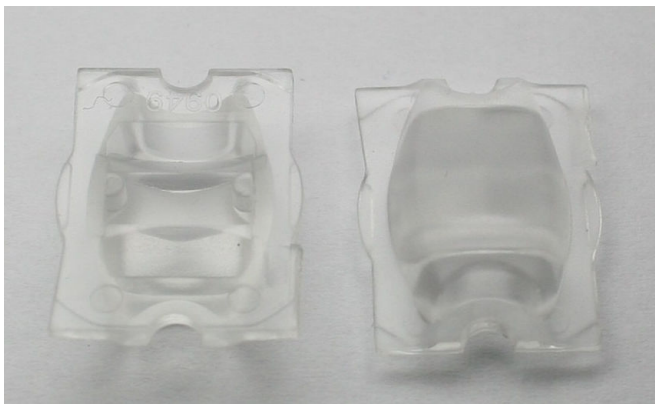


## STRADA-B2-OSL LENS FOR OSRAM Oslon SSL series of LEDs



**OSRAM**  
www.osram.com



C10949\_Strada-B2-OSL

- Specially designed for Osram-os Oslon SSL series of LEDs.
- New extremely wide street light design with very wide horizontal and vertical angle.
- Special care taken to make a uniform white or warm white illumination. Lenses work well with other colors, too.
- Comes with integrated positioning pins, see drawing below for more details.
- Lens material optical grade PMMA. Allows use of high current and temperature conditions
- Best available optical efficiency, approximately 96%.
- Fastening to heat sink with positioning pins or with PU foam adhesive tape of automotive grade, please select which suits the best for your needs.

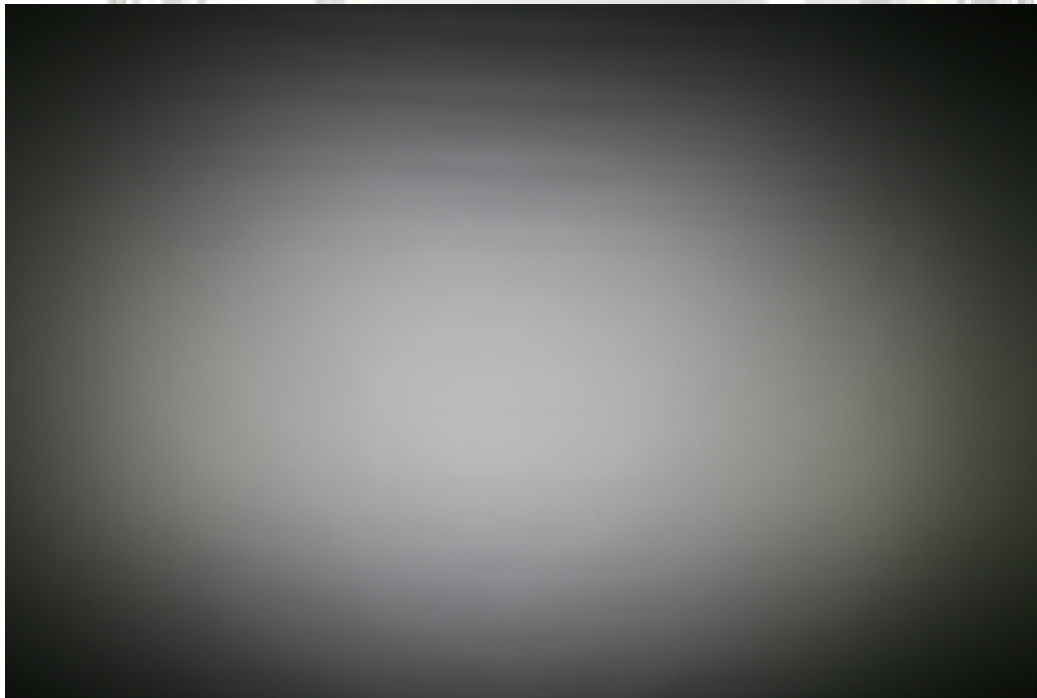
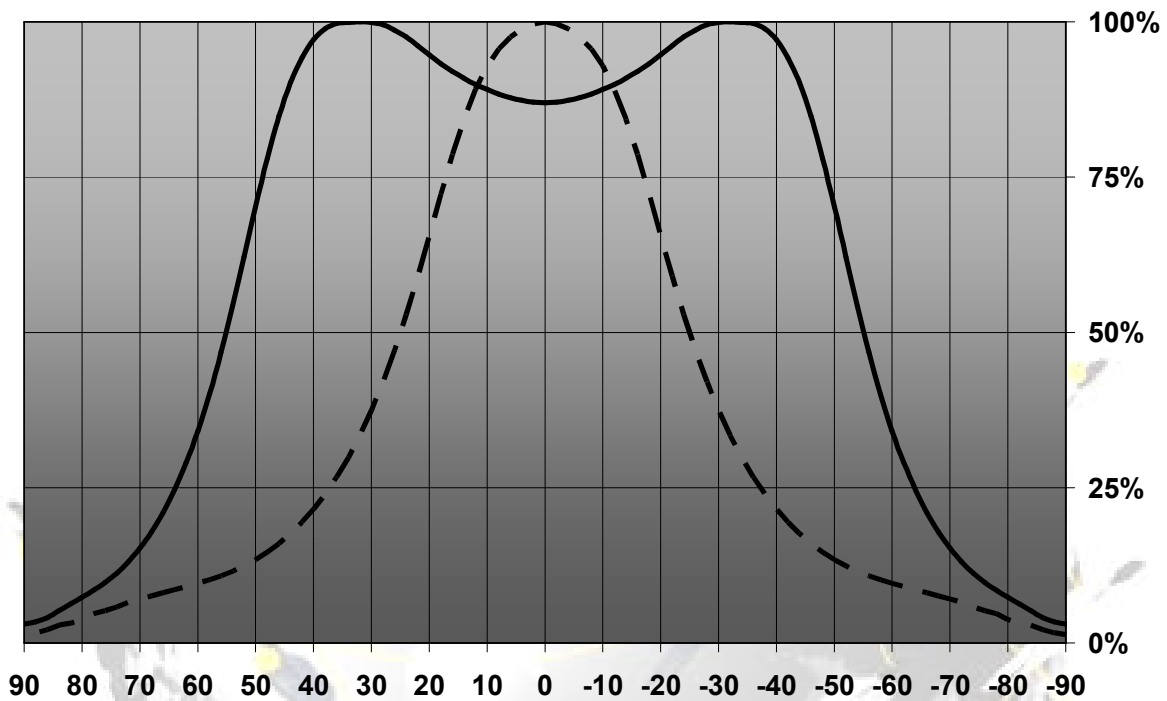
### LENS TYPES

NAME	ORDERING CODE	FWHM Angle
Strada-B2-OSL	C10949_Strada-B2-OSL	±55° x ±25°
Strada-B2-OSL-tape	CA10950_Strada-B2-OSL-tape	±55° x ±25°

© Ledil Oy – PRELIMINARY - Subject to change without prior notice

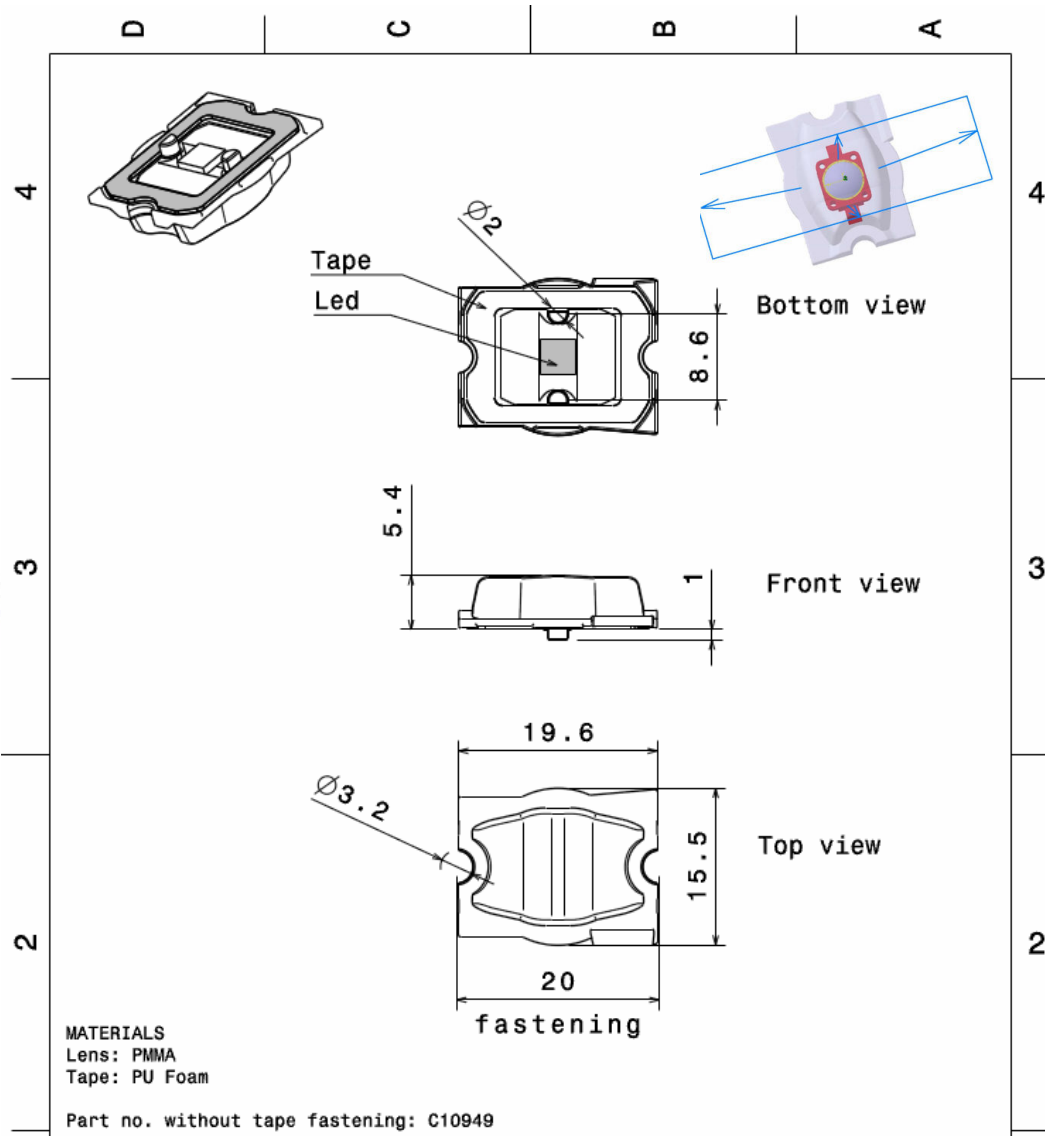
## MEASUREMENT DATA

Relative Intensity of C10949\_Strada-B2-OSL



© Ledil Oy – PRELIMINARY - Subject to change without prior notice

## DRAWINGS



This drawing is our property.  
 It can't be reproduced  
 or communicated without  
 our written agreement.



Ledil Oy  
 Tehdaskatu 13  
 FIN-24100 SALO  
 Finland

DRAWN BY pv		DATE 13.08.2009	DRAWING TITLE <b>Datasheet Strada-B2-OSL Assy</b>			
CHECKED BY tk	DATE 12.06.2009	SIZE A4	DRAWING NUMBER CA10950		REV 0.1	
DESIGNED BY hh	DATE 12.06.2009	SCALE 2:1	WEIGHT (g)	SHEET 1/1		

EULUMDAT & IES FILES AVAILABLE BY REQUEST

© Ledil Oy – PRELIMINARY - Subject to change without prior notice

## X-ON Electronics

Largest Supplier of Electrical and Electronic Components

*Click to view similar products for [Ledil manufacturer](#):*

Other Similar products are found below :

[F10390\\_PENTA-5-M](#) [C10472\\_RER-5-M](#) [FCN10804\\_LR1-RS](#) [FCN11454\\_LE1-M2](#) [C10365\\_PLATINUMROCKET-3-W](#)  
[C12084\\_BROOKE-SCR-W](#) [FA10643\\_TINA-M](#) [C12449\\_STRADA-T-6X1-DWC](#) [C10686\\_EVA-W](#) [C11552\\_BARBARA-S](#)  
[CA11264\\_HEIDI-D](#) [CN12644\\_LENINA-S](#) [CS14840\\_HB-2X2MX-M](#) [F14533\\_ANGELETTE-M](#) [F15244\\_FLORENCE-ZT25-S](#)  
[CN17052\\_DAISSY-7X1-WW-MATT](#) [C17171\\_DAISSY-8X1-SHD-MATT](#) [FA11207\\_TINA-W](#) [FCP13895\\_SEANNA-A](#) [CN14236\\_WINNIE-S](#)  
[C11795\\_ANNA-40-4-W](#) [C12358\\_TYRA3-W](#) [C13508\\_STRADA-SQ-T2](#) [CP10961\\_RGBX-SS](#) [CN12646\\_LENINA-W](#) [CP15304\\_LARISA-](#)  
[RS-PIN](#) [FN13888\\_BILLIE-A](#) [CP16939\\_CARMEN-W-C-WHT](#) [C17341\\_DAISSY-4X1-WW-US-D](#) [C14275\\_SHELLY-T-6X1-N](#)  
[C14346\\_ANGELETTE-WAS](#) [CA11998\\_EMILY-SS-WAS](#) [CA12000\\_EMILY-O-WAS](#) [C13032\\_BARBARA-WW](#) [C15800\\_MOLLY-S](#)  
[FCN12592\\_LE1-D-COP](#) [CA12242\\_HEIDI-SS](#) [CP13682\\_RGBX2-S](#) [CA11476"TYRA2-M](#) [FS15626\\_FLORENCE-3R-IP-Z90](#)  
[F12916\\_CRYSTAL-RS](#) [C17172\\_DAISSY-8X1-SHD-MATT-WHT](#) [C17174\\_DAISSY-4X1-W-US](#) [CA11267\\_HEIDI-O-90](#) [CA12878\\_MIRA-M](#)  
[CP12413\\_LOS-D](#) [CP10944\\_RGBX-M](#) [FA10661"LXP-RS](#) [FCP15347\\_FLORENTINA-4X1-O](#) [CN12721\\_LENA-S-DL](#)