

FIG 1.
SLP100 SERIES



FIG 2.
SLP-1-100 SERIES



FIG 3.
SLP-2-100 SERIES

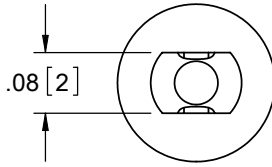
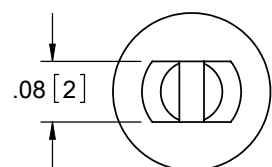
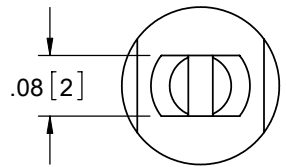
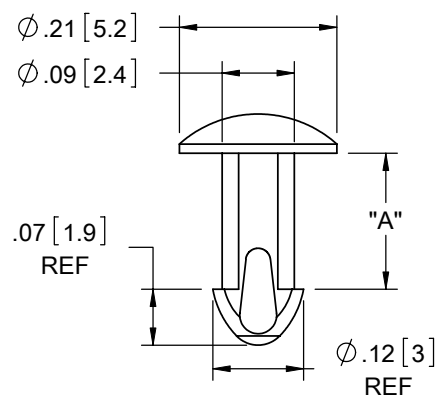
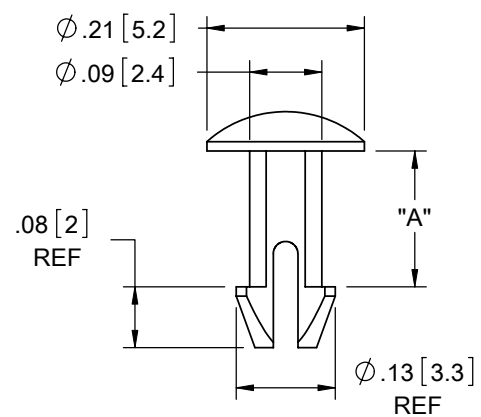
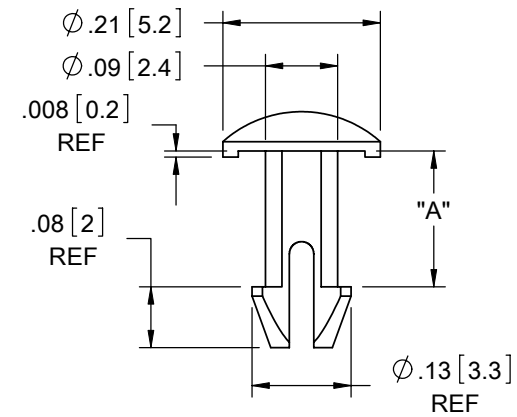


FIG 1	FIG 2	*FIG 3	DIM. "A"±.015
SLP100-177-01	SLP-1-100-177-01	SLP-2-100-177-01	.177 [4.5]
SLP100-221-01	SLP-1-100-221-01	SLP-2-100-221-01	.220 [5.6]
SLP100-236-01	SLP-1-100-236-01	SLP-2-100-236-01	.236 [6]
SLP100-245-01	SLP-1-100-245-01	SLP-2-100-245-01	.245 [6.2]
SLP100-307-01	SLP-1-100-307-01	SLP-2-100-307-01	.307 [7.8]
SLP100-316-01	SLP-1-100-316-01	SLP-2-100-316-01	.316 [8]
SLP100-330-01	SLP-1-100-330-01	SLP-2-100-330-01	.330 [8.4]
SLP100-413-01	SLP-1-100-413-01	SLP-2-100-413-01	.413 [10.5]
SLP100-638-01	SLP-1-100-638-01	SLP-2-100-638-01	.638 [16.2]
SLP100-660-01	SLP-1-100-660-01	SLP-2-100-660-01	.660 [16.8]
SLP100-701-01	SLP-1-100-701-01	SLP-2-100-701-01	.701 [17.8]

*PARTS AVAILABLE BY SPECIAL ORDER ONLY.

NOTES:

- MATERIAL: NYLON 6/6 UL 94 V-2 (RMS-01).
-NYLON 6/6 UL 94 V-0 (RMS-19) AVAILABLE BY SPECIAL ORDER.
TO ORDER REPLACE "-01" WITH "-19".
- COLOR: NATURAL.
- ALL PARTS TO SNAP-LOCK IN A $.098 \pm .002 [2.5 \pm 0.05]$ DIA. HOLE.

B	SEE CO 200083 FOR CHANGES	SK	12/06/07
A	RELEASED FOR PRODUCTION, CO 200066	SK	11/19/07
REV.	DESCRIPTION	ENGR.	DATE

TITLE: SNAP- LOCK PINS				DWG IN IN [MM]		PRINT TYPE	
CREATED USING SOLIDWORKS	FILE #: SLPX	DWN: SK	APP: R.T.	FINAL			
TOLERANCES UNLESS NOTED .XX=±.010 .XXX=±.005 FRAC.=±1/64 ANG.=±1°	SHEET: 1 OF 1	SHEET SIZE: B	DT: 11/15/07	CHKD: D.Z.	PART #		PRINT TYPE
RE: RICHCO, INC.		RICHCO, INC. ENG@RICHCO-INC.COM (773) 539-4060		SEE TABLE		CA	

X-ON Electronics

Largest Supplier of Electrical and Electronic Components

Click to view similar products for [ESSENTRA](#) manufacturer:

Other Similar products are found below :

[BPF-F1G12](#) [ASPS-8-125](#) [SOF-15127](#) [HTSN-M4-5-8-2](#) [SR 3075B](#) [SR 4120B](#) [DSC-2-48](#) [MCCG-2N](#) [OFBLT-3.1-05-PP](#) [BT-4-10-BL](#)
[HR6U-3/8](#) [DSC-3-48](#) [SHR-15-6V0B](#) [SR-4050B](#) [TNM3-6.5-12-1](#) [SNGS-2.5](#) [HR6P-3/8](#) [SNGS-2.5B](#) [DSC-1-48](#) [CAT-08-PP-BU](#) [VPH-1840](#)
[BMS-SA-48](#) [TNM3-6.5-20-2](#) [SR 3075W](#) [CRLCBSR-3-01](#) [SPGS-2.5](#) [SNGS-1](#) [NTS-20](#) [SR 2664B](#) [HR8P-1/2](#) [PGS-2](#) [HR3P-3/16](#) [HR4U-1/4](#)
[NTS-10](#) [KBP-19](#) [FRB-333](#) [TLM-1550](#) [VPH-2520](#) [HTSN-M2-15-5-1](#) [SRCC-1](#) [HTSN-M3-25-6-1](#) [SNGSG-2](#) [201-USS](#) [HTSN-M2-8-5-1](#)
[HTSN-M3-25-8-1](#) [TNM3-6.5-15-2](#) [TNM3-6.5-25-2](#) [SR 3090W](#) [LCBSBM-6-01A2-RT](#) [NSP-6-4-01](#)