



FRED Modules

V_{RRM} 1200V

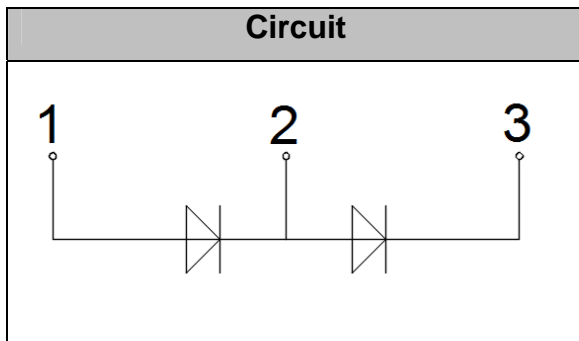
I_{FAV} 100 A

Applications

- Inversion Welder
- Uninterruptible Power Supply (UPS)
- Plating Power Supply
- Ultrasonic Cleaner and Welder
- Power Factor Correction (PFC) Circuit
- Converter & Chopper

Features

- Soft Reverse Recovery Characteristics
- Ultrafast Reverse Recovery Time
- Low Reverse Recovery Loss
- Low Forward Voltage
- High Surge Current Capability
- Low Inductance Package



Maximum Ratings

| Symbol | Conditions | Values | Units |
|--------------|--|-------------|----------------------|
| V_R | | 1200 | V |
| V_{RRM} | | 1200 | V |
| $I_{F(AV)}$ | $T_C=110^{\circ}\text{C}$, Per Diode | 100 | A |
| $I_{F(RMS)}$ | $T_C=110^{\circ}\text{C}$, Per Diode | 140 | A |
| I_{FSM} | 1/2 Cycle, 50Hz, Sine | 1100 | A |
| | 1/2 Cycle, 60Hz, Sine | 1200 | A |
| I^2t | $T_J=45^{\circ}\text{C}$, $t=10\text{ms}$, 50Hz, Sine | 6050 | A^2s |
| | $T_J=45^{\circ}\text{C}$, $t=8.3\text{ms}$, 60Hz, Sine | 7200 | A^2s |
| P_D | | 280 | W |
| Visol | AC, $T_{on}=1\text{min}$ | 3000 | V |
| T_J | | -40 to +150 | $^{\circ}\text{C}$ |
| T_{STG} | | -40 to +125 | $^{\circ}\text{C}$ |
| Torque | Recommended (M6) | 4.5 | N·m |
| Torque | Recommended (M6) | 4.5 | N·m |
| Weight | | 150 | g |

Thermal Characteristics

| Symbol | Conditions | Values | Units |
|---------------|------------------|--------|-----------------------------|
| $R_{th(j-c)}$ | Junction-to-Case | 0.22 | $^{\circ}\text{C}/\text{W}$ |



Electrical Characteristics

| Symbol | Conditions | Values | | | Units |
|-----------|--|--------|------|------|-------|
| | | Min. | Typ. | Max. | |
| I_{RM} | $V_R=1200V$ | -- | -- | 1 | mA |
| | $V_R=1200V, T_J=125^\circ C$ | -- | -- | 5 | mA |
| V_F | $I_F=100A$ | -- | 1.58 | | V |
| | $I_F=100A, T_J=125^\circ C$ | -- | 1.35 | | V |
| t_{rr} | $I_F=1A, V_R=30V, di_F/dt=-200A/\mu s$ | -- | 55 | -- | ns |
| t_{rr} | $V_R=600V, I_F=100A, di_F/dt=-200A/\mu s, T_J=25^\circ C$ | -- | 135 | -- | ns |
| I_{RRM} | | -- | 10 | -- | A |
| t_{rr} | $V_R=600V, I_F=100A, di_F/dt=-200A/\mu s, T_J=125^\circ C$ | -- | 380 | -- | ns |
| I_{RRM} | | -- | 21 | -- | A |

Performance Curves

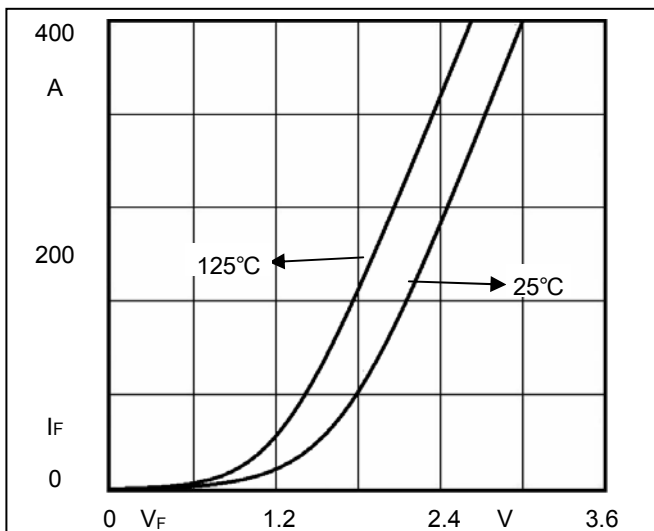


Fig1. Forward Voltage Drop vs Forward Current

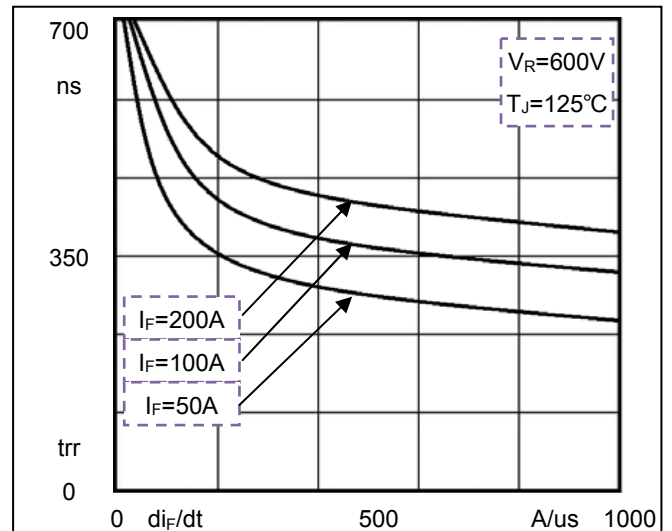


Fig2. Reverse Recovery Time vs di_F/dt

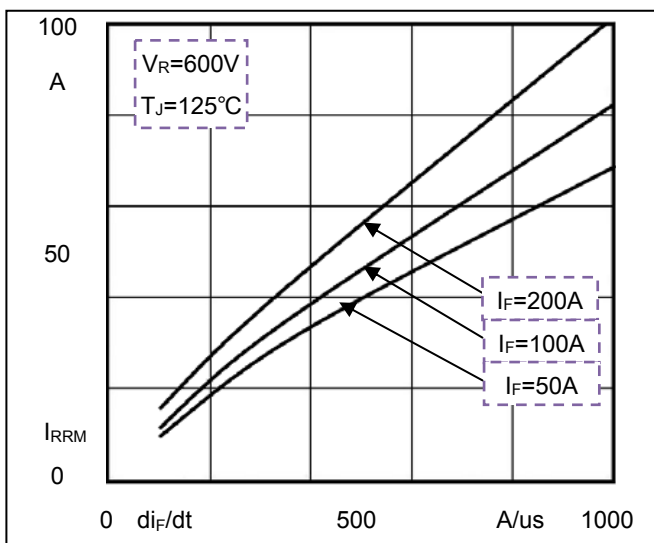


Fig3. Reverse Recovery Current vs di_F/dt

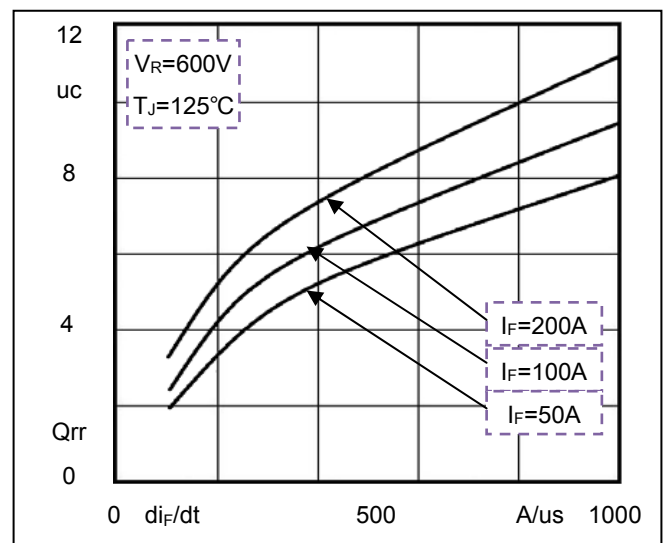
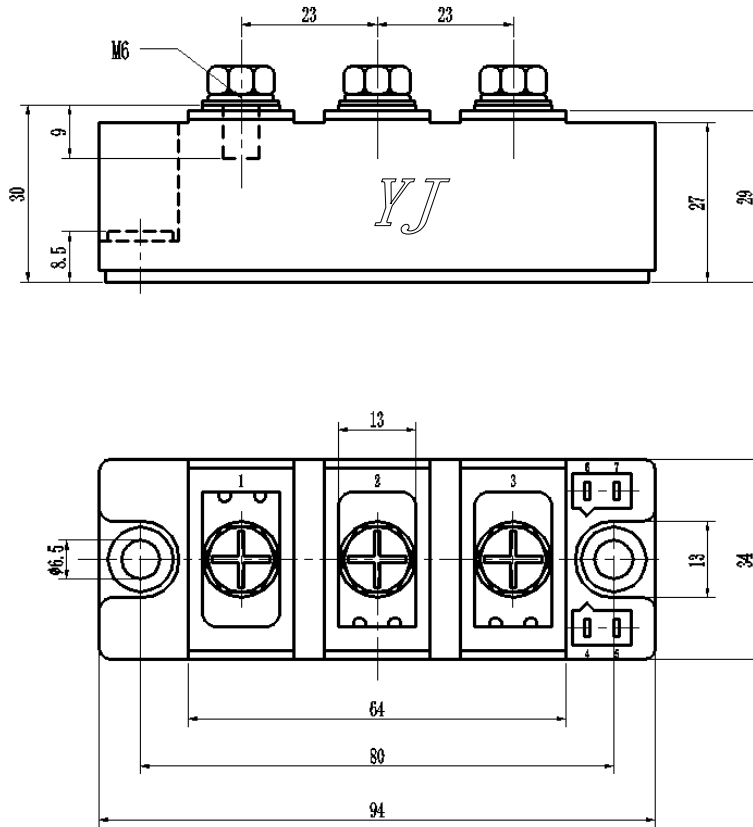


Fig4. Reverse Recovery Charge vs di_F/dt

Package Outline Information

CASE: F2



Dimensions in mm

X-ON Electronics

Largest Supplier of Electrical and Electronic Components

Click to view similar products for [Schottky Diodes & Rectifiers](#) category:

Click to view products by [Yangjie](#) manufacturer:

Other Similar products are found below :

[CUS06\(Te85L,Q,M\)](#) [MA4E2508M-1112](#) [D1FH3-5063](#) [MBR0530L-TP](#) [MBR10100CT-BP](#) [MBR30H100MFST1G](#) [MMBD301M3T5G](#)
[PMAD1103-LF](#) [PMAD1108-LF](#) [RB160M-50TR](#) [RB520S-30](#) [RB551V-30](#) [D83C](#) [DD350N18K](#) [DZ435N40K](#) [DZ600N16K](#)
[BAS16E6433HTMA1](#) [BAS 3010S-02LRH E6327](#) [BAT 15-099R E6327](#) [BAT 54-02LRH E6327](#) [NRVBAF360T3G](#) [NRVTS10100MFST1G](#)
[NRVTS12100EMFST1G](#) [NSR05F40QNXT5G](#) [NSVR05F40NXT5G](#) [JANS1N6640](#) [SB07-03C-TB-H](#) [SB1003M3-TL-W](#) [SBAT54CWT1G](#)
[SK32A-LTP](#) [SK33A-TP](#) [SK34A-TP](#) [SK34B-TP](#) [SMD1200PL-TP](#) [ACDBN160-HF](#) [SS3003CH-TL-E](#) [STPS3045CPIRG](#) [STPS30S45CW](#)
[PDS3100Q-7](#) [GA01SHT18](#) [CRS10I30A\(Te85L,QM\)](#) [CRS10I30B\(Te85L,QM\)](#) [MBR1240MFST1G](#) [MBR20100CT-BP](#) [MBRB30H30CT-1G](#)
[BAS28E6433HTMA1](#) [BAS 70-02L E6327](#) [BYS11-90-E3TR3](#) [JANTX1N5712-1](#) [VS-STPS40L45CW-N3](#)