



FRED Modules

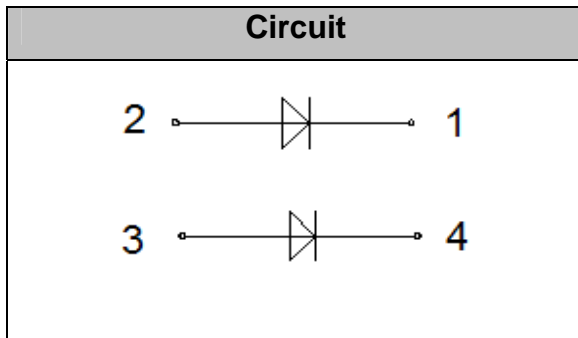
V_{RRM} 600V
I_{FAV} 2×100 A

Applications

- Inversion Welder
- Uninterruptible Power Supply (UPS)
- Plating Power Supply
- Ultrasonic Cleaner and Welder
- Power Factor Correction (PFC) Circuit
- Converter & Chopper

Features

- Soft Reverse Recovery Characteristics
- Ultrafast Reverse Recovery Time
- Low Reverse Recovery Loss
- Low Forward Voltage
- High Surge Current Capability
- Popular SOT-227 Package



Maximum Ratings

| Symbol | Conditions | Values | Units |
|---------------------|---|-------------|------------------|
| V _R | | 600 | V |
| V _{RRM} | | 600 | V |
| I _{F(AV)} | T _C =90°C, Per Leg | 100 | A |
| | T _C =90°C, Per Module | 200 | A |
| | T _C =100°C, 20KHz, Per Module | 150 | A |
| I _{F(RMS)} | T _C =90°C, Per Leg | 150 | A |
| I _{FSM} | 1/2 Cycle, 50Hz, Sine | 1300 | A |
| | 1/2 Cycle, 60Hz, Sine | 1500 | A |
| I ² t | T _J =45°C, t=10ms, 50Hz, Sine | 8450 | A ² s |
| | T _J =45°C, t=8.3ms, 60Hz, Sine | 11250 | A ² s |
| P _D | T _C =25°C | 260 | W |
| T _J | | -40 to +150 | °C |
| T _{STG} | | -40 to +125 | °C |
| Visol | 3000V AC 1min | 1 | mA |
| Torque | To Sink Recommended (M4) | 0.6~1.2 | N·m |
| Torque | To Terminal Recommended (M4) | 0.6~1 | N·m |
| Weight | | 27 | g |

Thermal Characteristics

| Symbol | Conditions | Values | Units |
|----------------------|------------|--------|-------|
| R _{th(j-c)} | Per diode | 0.3 | °C/W |



Electrical Characteristics

| Symbol | Conditions | Values | | | Units |
|-----------|--|--------|------|------|-------|
| | | Min. | Typ. | Max. | |
| I_{RM} | $V_R=600V$ | -- | -- | 0.5 | mA |
| | $V_R=600V, T_J=125^\circ C$ | -- | -- | 1 | mA |
| V_F | $I_F=100A$ | -- | 1.2 | 1.3 | V |
| | $I_F=100A, T_J=125^\circ C$ | -- | 1.1 | 1.2 | V |
| t_{rr} | $I_F=1A, V_R=30V, di_F/dt=-400A/\mu s$ | -- | 42 | 50 | ns |
| t_{rr} | $V_R=300V, I_F=100A, di_F/dt=-200A/\mu s, T_J=25^\circ C$ | -- | 105 | -- | ns |
| I_{RRM} | | -- | 10 | -- | A |
| t_{rr} | $V_R=300V, I_F=100A, di_F/dt=-200A/\mu s, T_J=125^\circ C$ | -- | 200 | -- | ns |
| I_{RRM} | | -- | 18 | -- | A |

Performance Curves

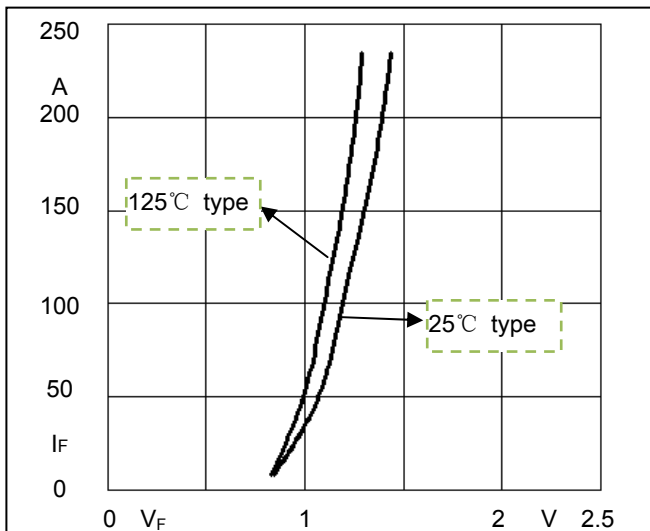


Fig1. Forward Voltage Drop vs Forward Current

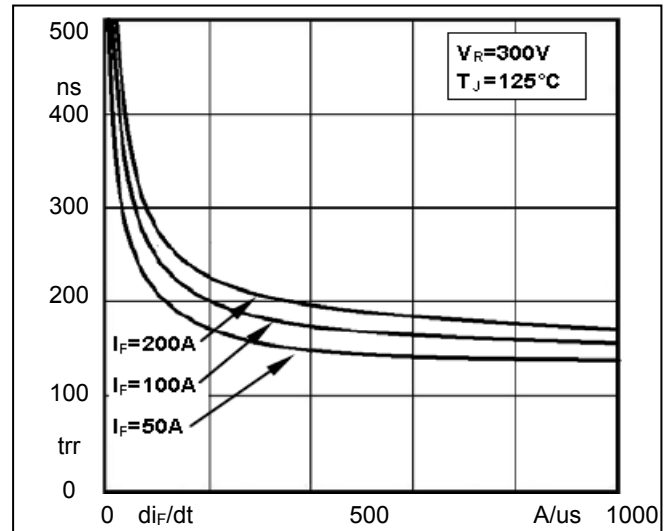


Fig2. Reverse Recovery Time vs di_F/dt

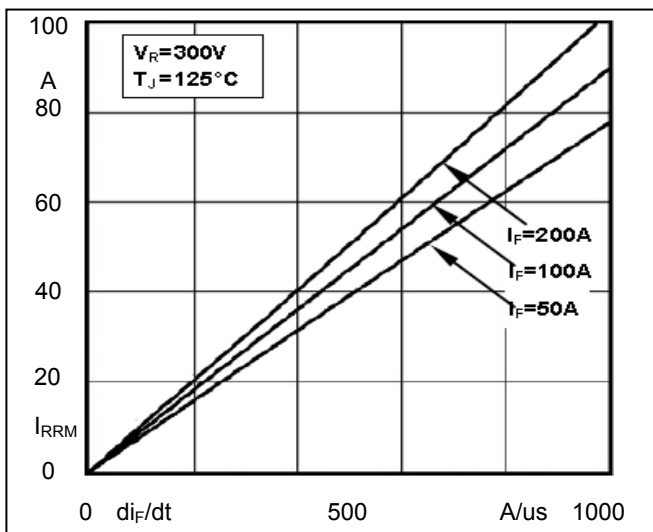


Fig3. Reverse Recovery Current vs di_F/dt

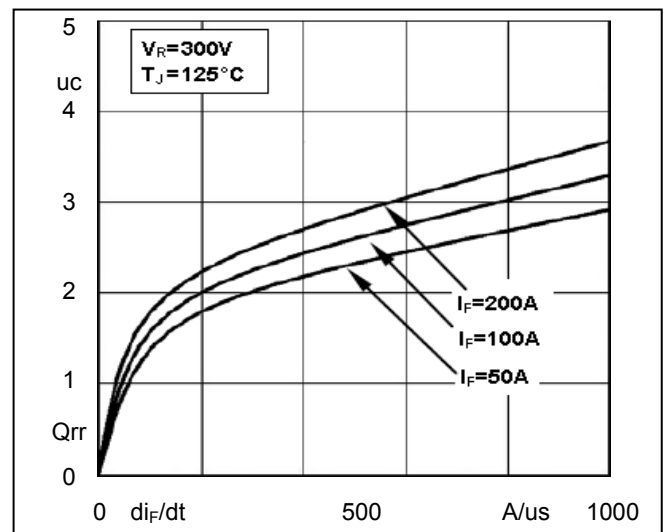


Fig4. Reverse Recovery Charge vs di_F/dt

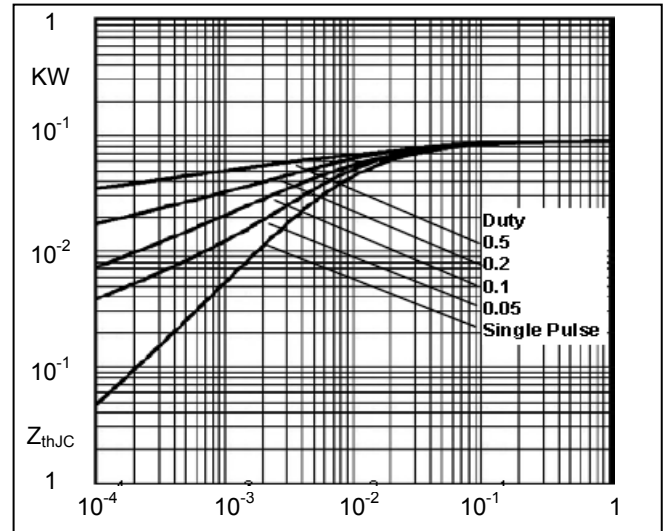
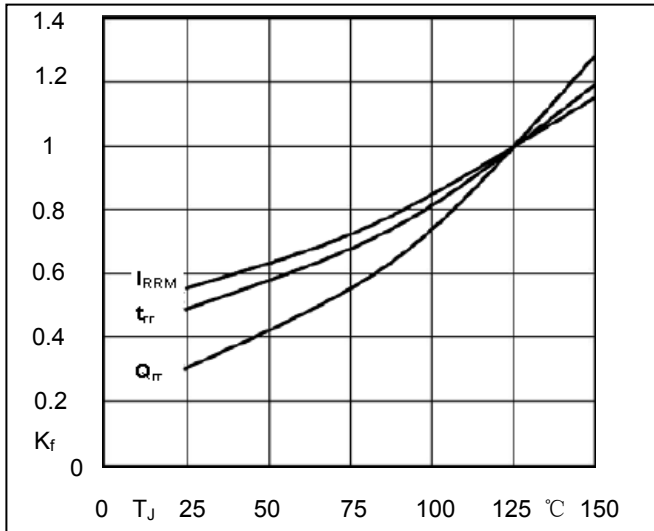
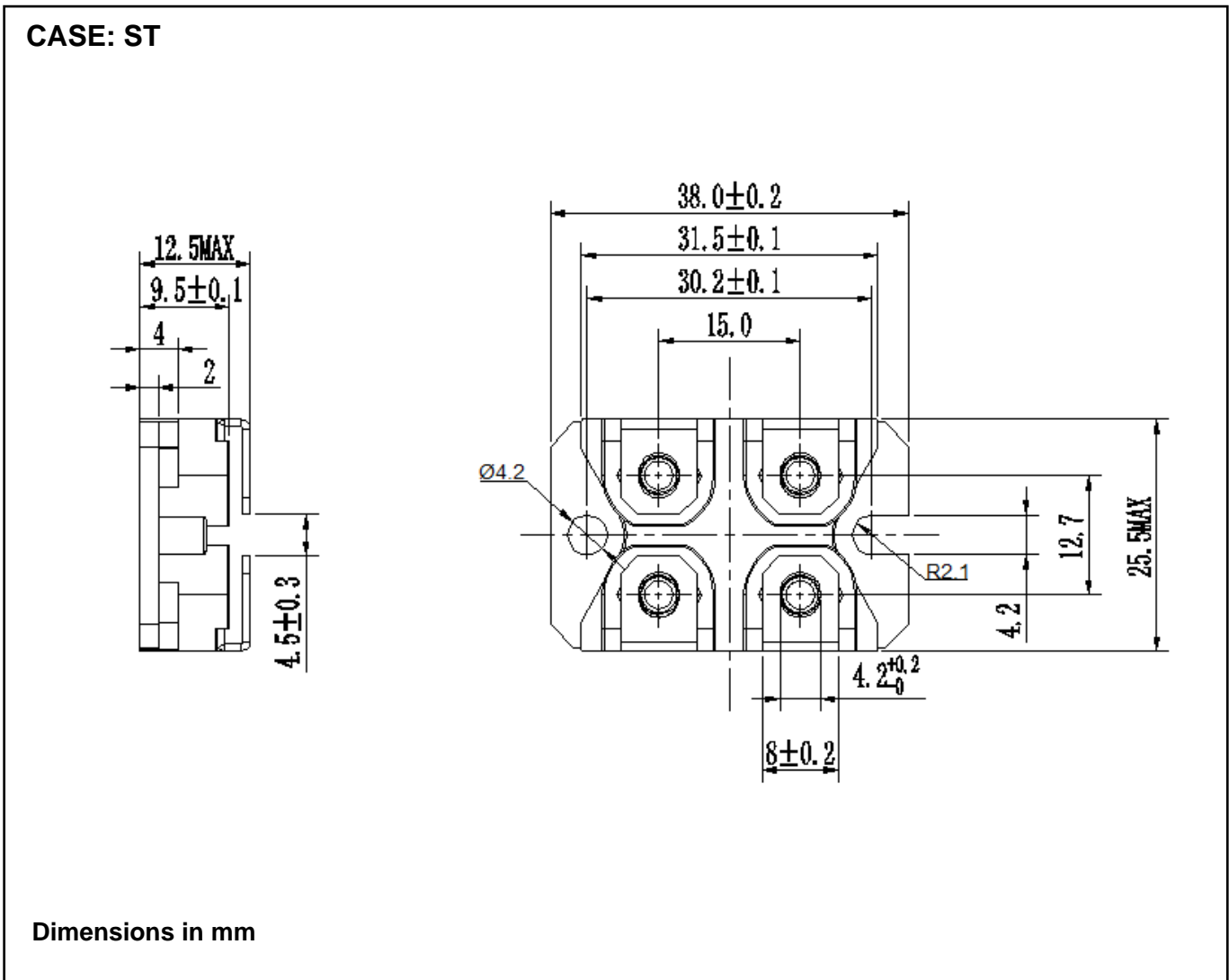


Fig5. Dynamic Parameters vs Junction Temperature

Fig6. Transient Thermal Impedance

Package Outline Information



X-ON Electronics

Largest Supplier of Electrical and Electronic Components

Click to view similar products for [Schottky Diodes & Rectifiers](#) category:

Click to view products by [Yangjie](#) manufacturer:

Other Similar products are found below :

[CUS06\(Te85L,Q,M\)](#) [MA4E2508M-1112](#) [D1FH3-5063](#) [MBR0530L-TP](#) [MBR10100CT-BP](#) [MBR30H100MFST1G](#) [MMBD301M3T5G](#)
[PMAD1103-LF](#) [PMAD1108-LF](#) [RB160M-50TR](#) [RB520S-30](#) [RB551V-30](#) [D83C](#) [DD350N18K](#) [DZ435N40K](#) [DZ600N16K](#)
[BAS16E6433HTMA1](#) [BAS 3010S-02LRH E6327](#) [BAT 15-099R E6327](#) [BAT 54-02LRH E6327](#) [NRVBAF360T3G](#) [NRVTS10100MFST1G](#)
[NRVTS12100EMFST1G](#) [NSR05F40QNXT5G](#) [NSVR05F40NXT5G](#) [JANS1N6640](#) [SB07-03C-TB-H](#) [SB1003M3-TL-W](#) [SBAT54CWT1G](#)
[SK32A-LTP](#) [SK33A-TP](#) [SK34A-TP](#) [SK34B-TP](#) [SMD1200PL-TP](#) [ACDBN160-HF](#) [SS3003CH-TL-E](#) [STPS3045CPIRG](#) [STPS30S45CW](#)
[PDS3100Q-7](#) [GA01SHT18](#) [CRS10I30A\(Te85L,QM\)](#) [CRS10I30B\(Te85L,QM\)](#) [MBR1240MFST1G](#) [MBR20100CT-BP](#) [MBRB30H30CT-1G](#)
[BAS28E6433HTMA1](#) [BAS 70-02L E6327](#) [BYS11-90-E3TR3](#) [JANTX1N5712-1](#) [VS-STPS40L45CW-N3](#)