



Model Number

NBN40-U4-E2

Features

- Sensor head bidirectional and rotatable
- 40 mm non-flush
- 3-wire DC
- 4 LEDs indicator for 360° visibility

Accessories

V1-M20-80

Receptacles, M12/M20; plastic version

MH 04-2681F

Mounting aid for VariKont, +U1+ and +U9*

MHW 01

Modular mounting bracket

Technical Data

General specifications

Switching element function	PNP	NO
Rated operating distance	s_n	40 mm
Installation		non-flush
Output polarity		DC
Assured operating distance	s_a	0 ... 32.4 mm
Reduction factor r_{Al}		0.31
Reduction factor r_{Cu}		0.3
Reduction factor r_{304}		0.74
Reduction factor r_{Brass}		0.39

Nominal ratings

Operating voltage	U_B	10 ... 30 V DC
Switching frequency	f	0 ... 150 Hz
Hysteresis	H	typ. 5 %
Reverse polarity protection		reverse polarity protected
Short-circuit protection		pulsing
Voltage drop	U_d	≤ 2 V
Operating current	I_L	0 ... 200 mA
No-load supply current	I_0	≤ 20 mA
Time delay before availability	t_v	80 ms
Operating voltage indicator		LED, green
Switching state indicator		LED, yellow

Functional safety related parameters

MTTF _d	1510 a
Mission Time (T_M)	20 a
Diagnostic Coverage (DC)	0 %

Ambient conditions

Ambient temperature	-25 ... 85 °C (-13 ... 185 °F)
---------------------	--------------------------------

Mechanical specifications

Connection type	screw terminals
Core cross-section	≤ 2.5 mm ²
Housing material	PA/metal with epoxy powder coating
Sensing face	PA
Housing base	metal
Degree of protection	IP68 / IP69K
Mass	225 g
Note	Tightening torque: 1.8 Nm (housing) Tightening torque: 1.0 Nm (Screw terminal)

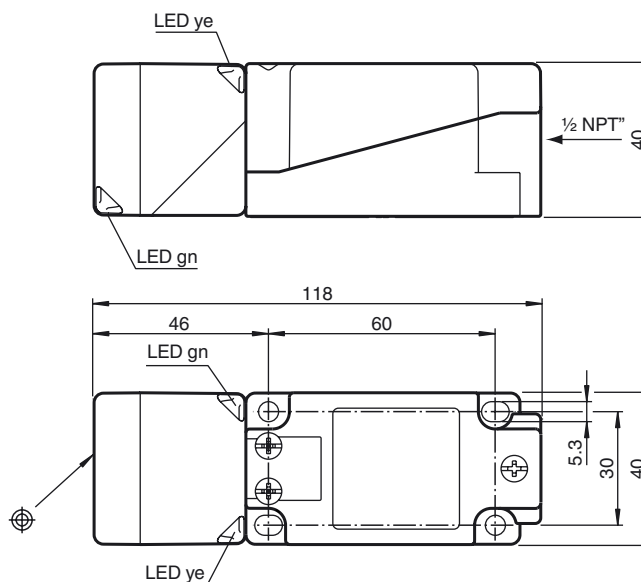
Compliance with standards and directives

Standard conformity	
Standards	EN 60947-5-2:2007 IEC 60947-5-2:2007

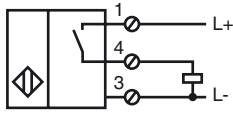
Approvals and certificates

UL approval	cULus Listed, General Purpose
CCC approval	CCC approval / marking not required for products rated ≤ 36 V

Dimensions



Electrical Connection



Release date: 2014-07-22 18:06 Date of issue: 2014-07-22 203106_eng.xml

X-ON Electronics

Largest Supplier of Electrical and Electronic Components

Click to view similar products for [Pepperl & Fuchs](#) manufacturer:

Other Similar products are found below :

[RL31-54/73C/136](#) [3RG7122-0AA00](#) [NBB-12GM40-E1](#) [3RG4013-3KB00](#) [3RG4038-3KB00](#) [3RG7134-3AA00](#) [LD31/LV31/25/73C/76A/136](#)
[NBB4-12GM50-A2-V1](#) [RL31-8-1200-RT/73C/136](#) [CBB8-18GS75-E2](#) [45018](#) [UC2000-30GM-E6R2-V15](#) [6GR6221-3AB00](#) [REF-MH50](#)
[3RG4148-3CD00](#) [INX360D-F99-I2E2-V15](#) [MPS11HD](#) [UB2000-F42-U-V15](#) [50FY416](#) [NBN4-12GM50-E0](#) [UC2000-30GM-IUR2-V15](#)
[41FR2](#) [3RG6233-3JS00](#) [NBN8-12GM50-E2-V1](#) [UC-30GM-R2](#) [M100/MV100-RT/35/76A/95/103](#) [3RG4013-0KB00](#) [UB400-F77-E2-V31](#)
[3RG4023-3AG33](#) [MD17/73](#) [NBB5-18GM50-E2](#) [NBN4-12GM50-E2](#) [UB800-18GM40-U-V1](#) [UB800-18GM40-I-V1](#) [ML100-55/95/103](#)
[KCD2-R](#) [NBB15-30GM50-E2-V1](#) [UB2000-F42-E5-V15](#) [REF-C110-2](#) [ML100-8-1000-RT/95/103](#) [3RG4200-1AB00](#) [NBB2-V3-E2](#)
[3RG7120-3AA00](#) [OB-150-F6-E5](#) [REF-H50](#) [UB800-18GM40-E5-V1](#) [MV17/73/136](#) [NBB4-12GM50-E2-V1](#) [3RG6343-3AB00](#) [NJ2-PD-US-](#)
[2.062-V93](#)