

Non-Metallic Liquidtight Cord Connectors

Non-Metallic Liquidtight Flexible Cord Connectors — Black Beauty® Series

Application

- A liquidtight connector to connect flexible cord to a box or enclosure and provide adequate strain relief

Features

- Taper Thread hub seals in female hub (A)
- Neoprene bushing provides liquidtight installation (B)
- Hand tightens — no tools needed for assembly
- Segmented chuck provides high mechanical pullout performance — will not cut or damage cord jacket (C)
- Corrosion- and weather-resistant plastic is excellent for outdoor/indoor use
- Plastic parts improve dielectric strength and provide insulated throat (D)
- Wide range — reduces inventories

Standard Material

Body, Gland & Segmented Chuck..... Weather-stabilized thermoplastic rated for -34° C (-29° F) to 105° C (221° F) application
 Bushing..... Neoprene

Standard Finish

All parts as molded

Range

.250 Outside Diameter to 1.020 Outside Diameter Type S, SO, SV, ST, STO, SJ, SJO, SJT, SJTO, SVTO, SVO, SVT
 Flexible Cords & Cables

Listings/Compliances

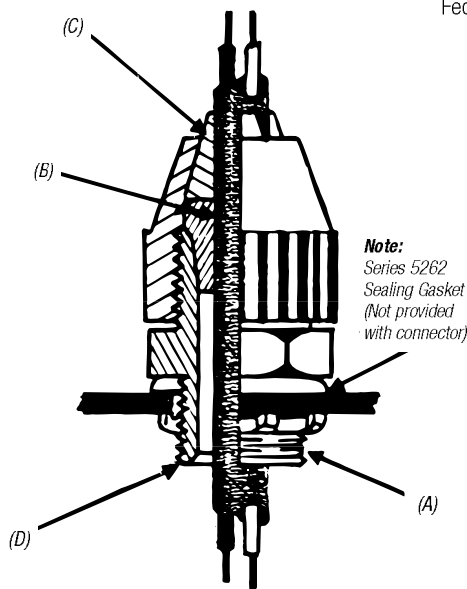
UL (UL File No. E-23018)
 CSA LR-2884, LR-4484
 UL 514B
 CSA C22.2 No. 18
 NFPA 70
 Federal Standard H-28 (Threads)



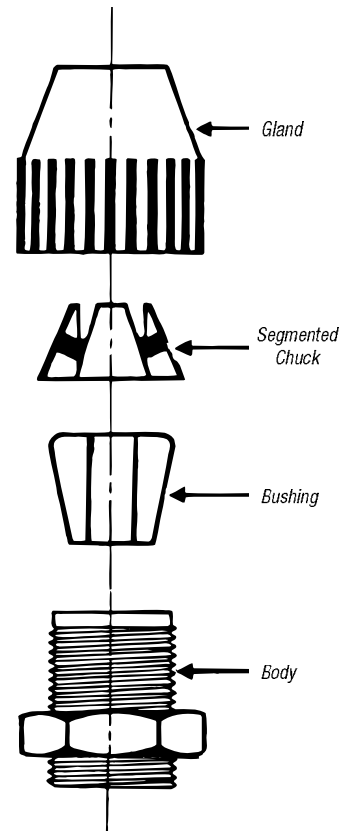
2672 Series



2682 Series



Typical Installation

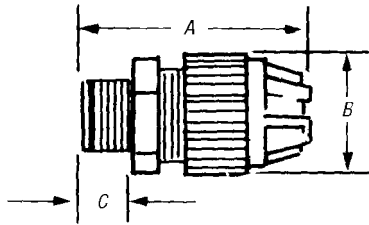


2672 Series

Non-Metallic Liquidtight Cord Connectors

Rugged, weather-stabilized nylon construction!

Black Beauty® Non-Metallic Liquidtight Strain-Relief Connector — Straight



- UL 94-V2 flammability rated
- Temperature rating: -34° C to +105° C

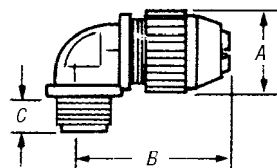


CAT. NO.	TRADE OR HUB SIZE	THROAT DIA. (IN.)	CORD RANGE (IN.)	DIMENSIONS (IN.)		
				A	B	C
2671	3/8"	.33	.125-.275	2.0	.90	.46
2690	1/2"	.33	.125-.275	2.3	.90	.60
2672	1/2"	.55	.250-.400	2.6	1.27	.60
2673*	1/2"	.55	.400-.560	2.6	1.27	.60
2691*	1/2"	.54	.560-.690	3.0	1.57	.60
2692*	1/2"	.54	.660-.780	3.0	1.57	.60
2693	3/4"	.55	.250-.400	2.7	1.27	.62
2694*	3/4"	.55	.400-.560	2.7	1.27	.62
2674	3/4"	.79	.560-.690	3.0	1.57	.62
2675	3/4"	.79	.660-.780	3.0	1.57	.62
2696*	3/4"	.76	.770-.895	3.2	1.89	.62
2676	1"	.98	.660-.780	3.3	1.89	.77
2677	1"	.98	.770-.895	3.3	1.89	.77
2678*	1"	.98	.870-1.020	3.3	1.89	.77
2699	1"	.98	.890-1.090	4.2	2.58	.77
2702	1 1/4"	1.25	.890-1.090	4.2	2.58	.80
2703	1 1/4"	1.25	1.080-1.280	4.0	2.58	.80
2704	1 1/4"	1.25	1.270-1.470	4.0	2.58	.80
2705-TB	1 1/2"	1.47	.890-1.150	4.2	2.95	.82
2706	1 1/2"	1.47	1.140-1.400	4.3	2.95	.82
2707	1 1/2"	1.47	1.390-1.650	4.3	2.95	.82
2708	2"	1.89	1.190-1.530	5.1	3.50	.84
2709	2"	1.89	1.520-1.860	4.9	3.50	.84
2710*	2"	1.89	1.850-2.190	4.9	3.50	.84

*Remove sufficient outer covering of cable to permit conductors to pass thru connector body. *All items shown on this page are suitable for use in hazardous location where general-purpose equipment is specifically permitted by the NEC®. Class I, Div. 2. Class II, Div. 1 & 2. Class III, Div. 1 & 2.*
 UL File No. E 13938
 CSA File No. 52391

90° angle with a standard-size body!

Black Beauty® Non-Metallic Liquidtight Strain-Relief Connector — 90° Elbow



- Weather-stabilized nylon construction
- UL 94-V2 flammability rated
- Temperature rating: -34° C to +105° C
- Meets Coast Guard CG293

CAT. NO.	TRADE OR HUB SIZE	THROAT DIA. (IN.)	CORD RANGE (IN.)	DIMENSIONS (IN.)		
				A	B	C
2680	3/8"	.33	.125-.275	2 9/32	1 1/4	.460
2681	1/2"	.55	.250-.400	—	—	—
2682*	1/2"	.55	.400-.560	—	—	—
2683	3/4"	.78	.560-.690	—	—	—
2684	3/4"	.78	.660-.780	—	—	—
2688	1"	.98	.560-.690	1 27/32	3/4	.770
2685	1"	.98	.660-.780	1 27/32	3/4	.770
2686	1"	.98	.770-.895	1 27/32	3 1/16	.770
2687*	1"	.98	.870-1.020	1 27/32	3	.770

*Remove sufficient outer covering of cable to permit conductors to pass thru connector body. 90° angle, standard size body. *All items shown on this page are suitable for use in hazardous locations where general-purpose equipment is specifically permitted by the NEC. Class I, Div. 2. Class II, Div. 1 & 2. Class III, Div. 1 & 2.*
 UL File No. E 13938
 CSA File No. 52391

X-ON Electronics

Largest Supplier of Electrical and Electronic Components

Click to view similar products for [ABB manufacturer:](#)

Other Similar products are found below :

[TY27MX](#) [TV10-516R](#) [RF727](#) [2CMA100178R1000](#) [ACS150-01E-09A8-2](#) [KS70-1104](#) [A75-30-11-230V-50HZ](#) [10-100](#) [5SDD](#) [92Z0401](#)
[ESV14-BS](#) [EZS-21-250](#) [F204AC-40/0.1](#) [F362-25/0.03](#) [A40-30-10-84](#) [AF26-30-00-14](#) [AF30-30-00-13](#) [AF460-30-11-68](#) [AF50-30-11-70](#)
[1455](#) [B14-250](#) [EF45-30](#) [ERG297](#) [HSC2-20](#) [1SAM201904R1001](#) [1SAM350000R1003](#) [1SAZ711201R1045](#) [1SAZ721201R1009](#)
[1SAZ721201R1014](#) [1SAZ721201R1025](#) [1SAZ721201R1045](#) [1SBL367001R1300](#) [1SDA057197R1](#) [1SFA611100R1104](#) [1SFA611101R1002](#)
[1SFA611130R1103](#) [1SFA611133R1106](#) [1SFA611143R1101](#) [1SFA611202R1108](#) [1SFA611203R1108](#) [1SFA611210R1101](#)
[1SFA611215R1001](#) [1SFA611216R1108](#) [1SFA611281R1002](#) [1SFA611285R1002](#) [1SFA611702R6006](#) [1SFA616162R1025](#)
[1SFA896106R1100](#) [1SVR730020R0200](#) [IPC4111](#) [OHB125J12](#)