

mikromedia+ for STM32F7 ARM®

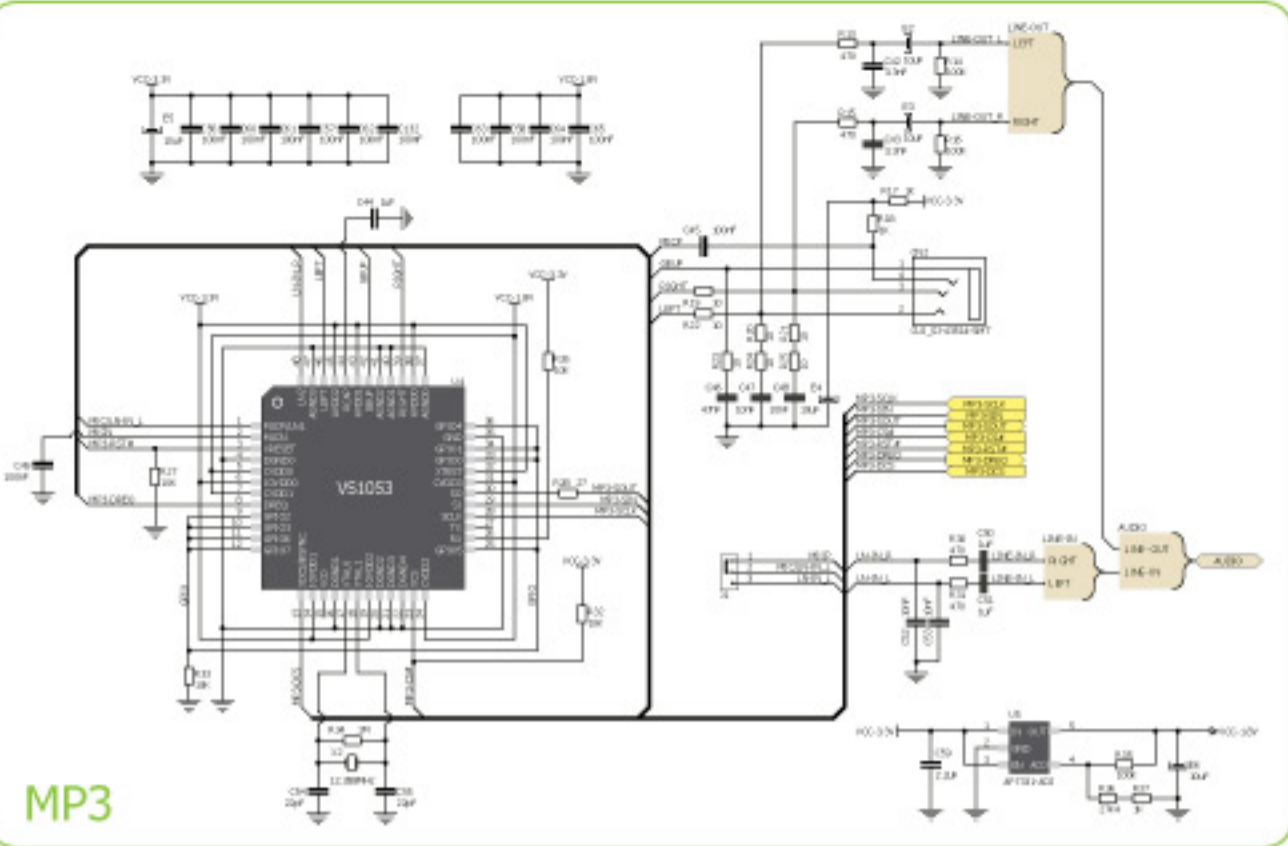
We present you with a complete color schematics for mikromedia+ for STM32F7 ARM® development board. We want you to know what your board is consisted of and how it actually works.



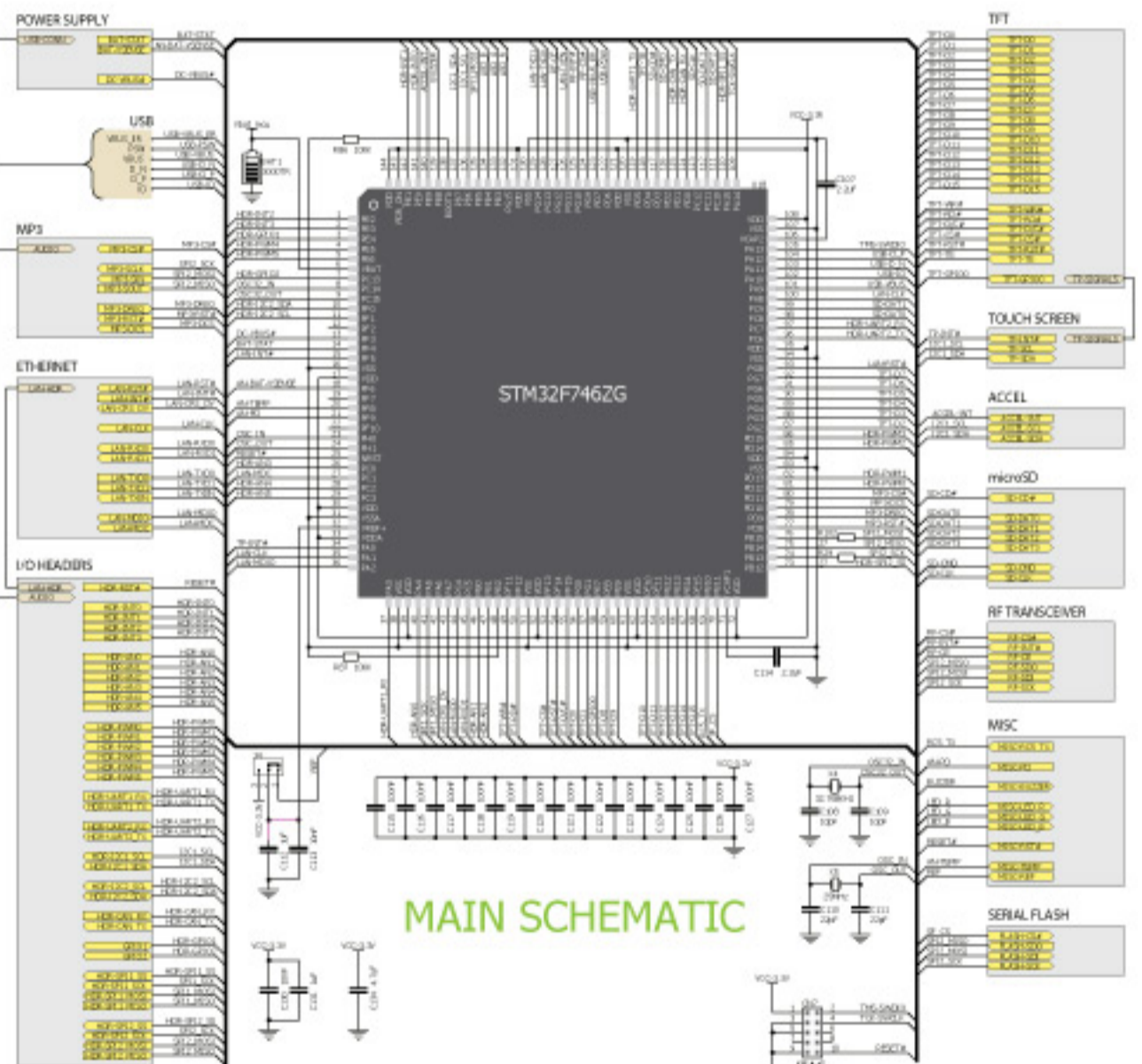
mikromedia Plus for STM32F7
Schematics v1.00

0100000106044

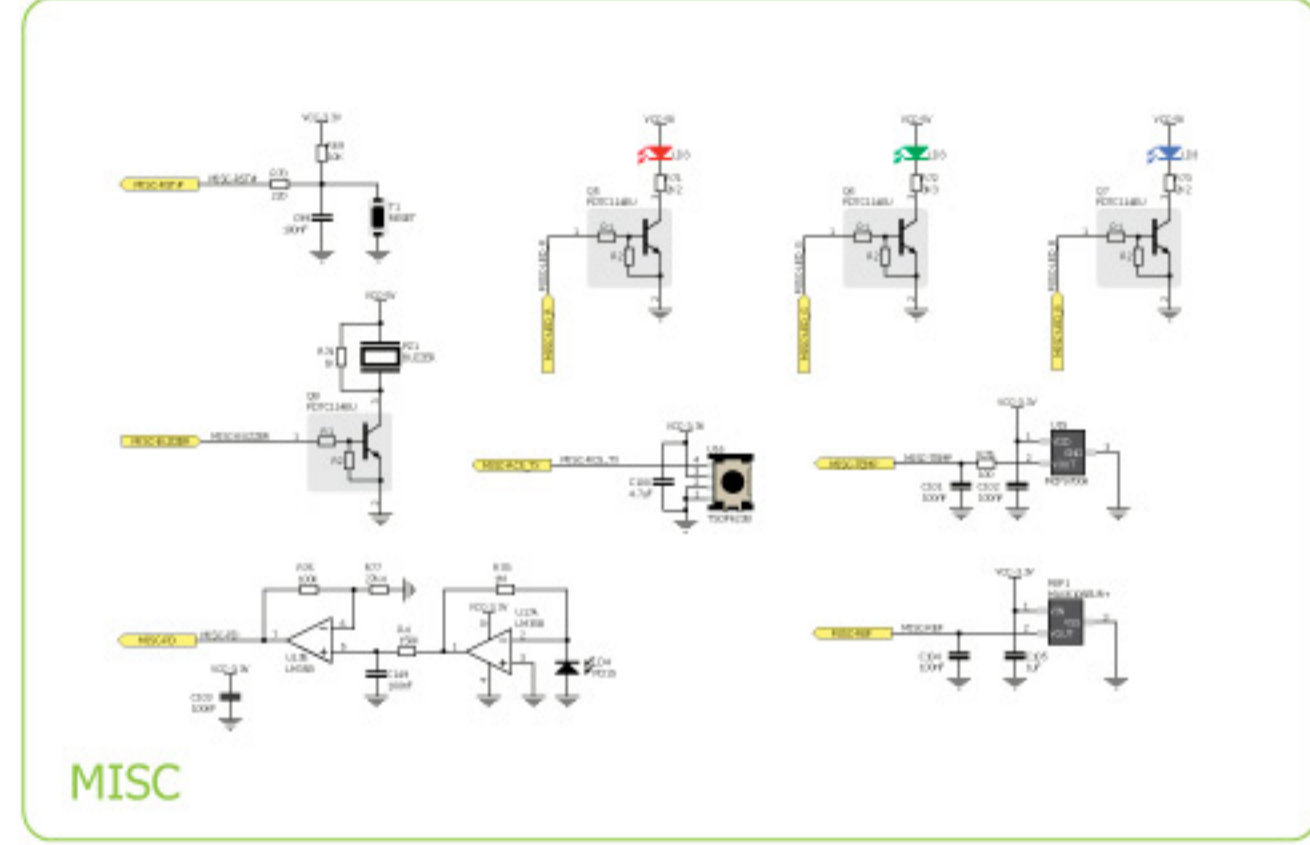
Designed by
MikroElektronika Ltd.
www.mikroe.com



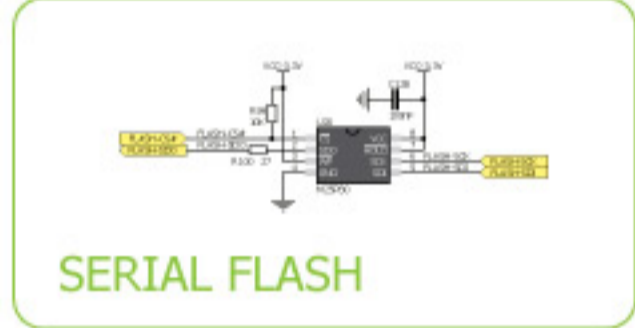
MP3



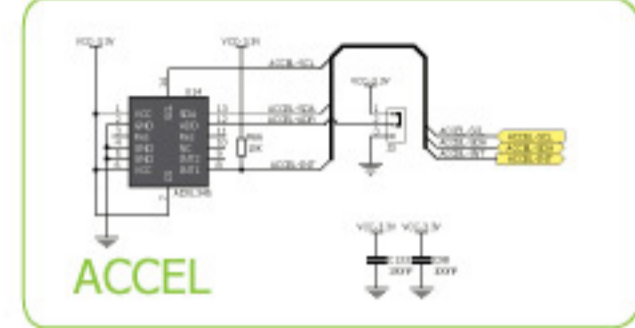
MAIN SCHEMATIC



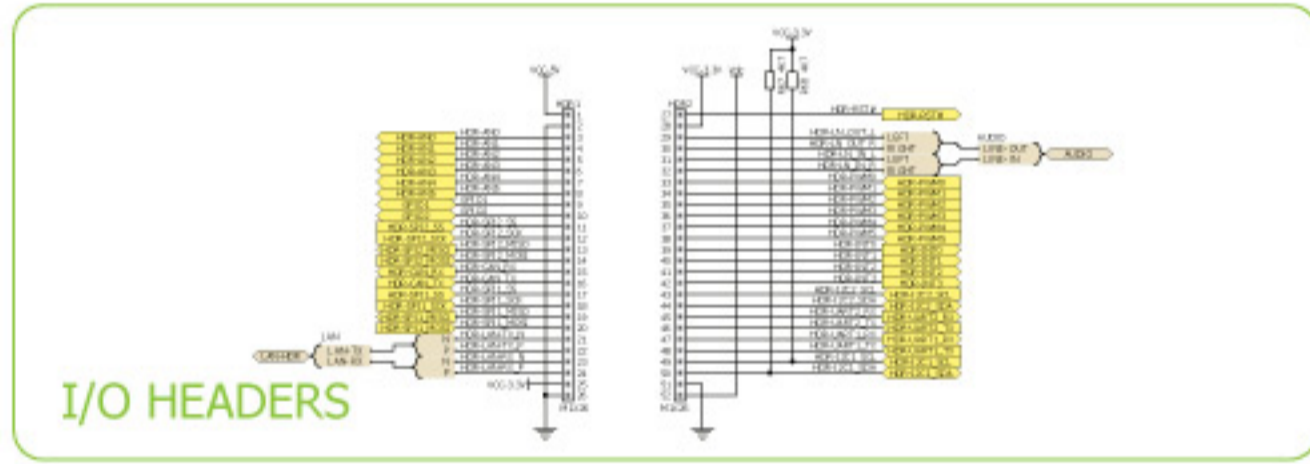
MISC



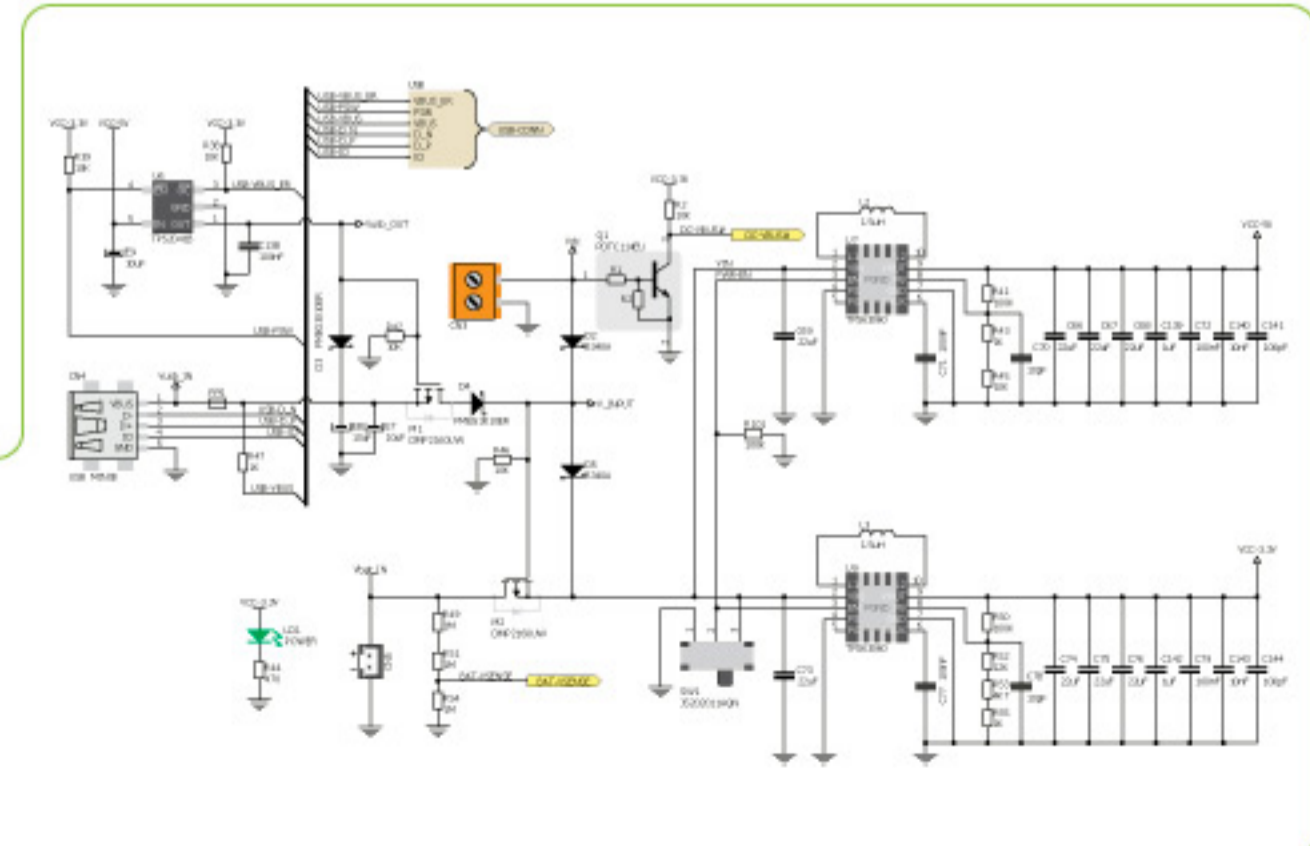
SERIAL FLASH



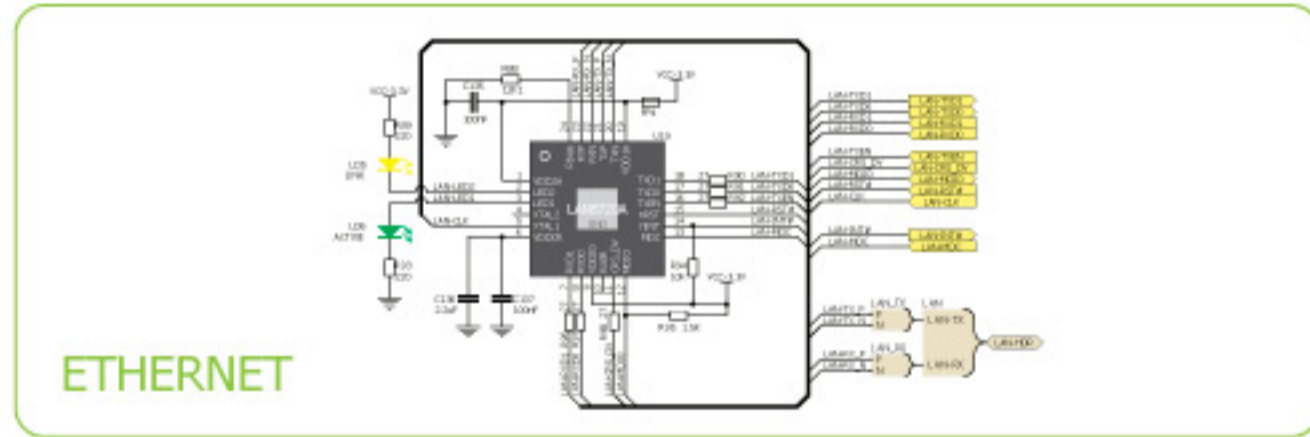
ACCEL



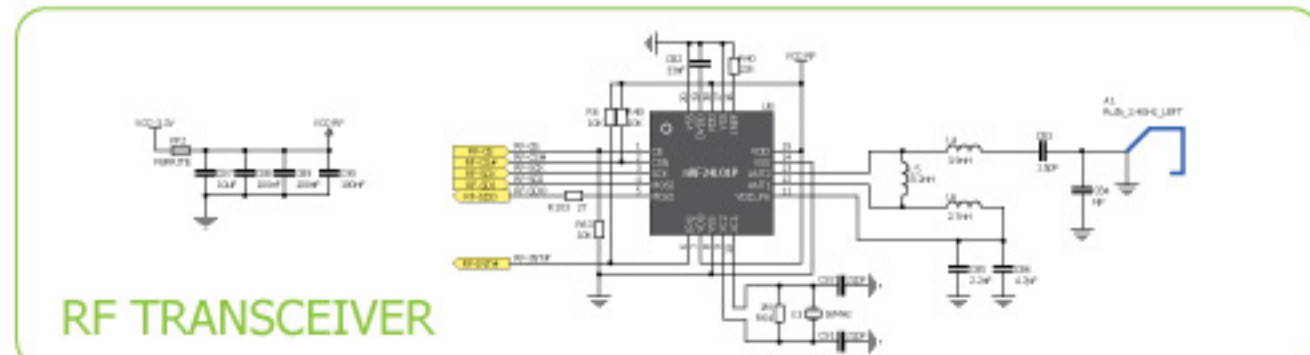
I/O HEADERS



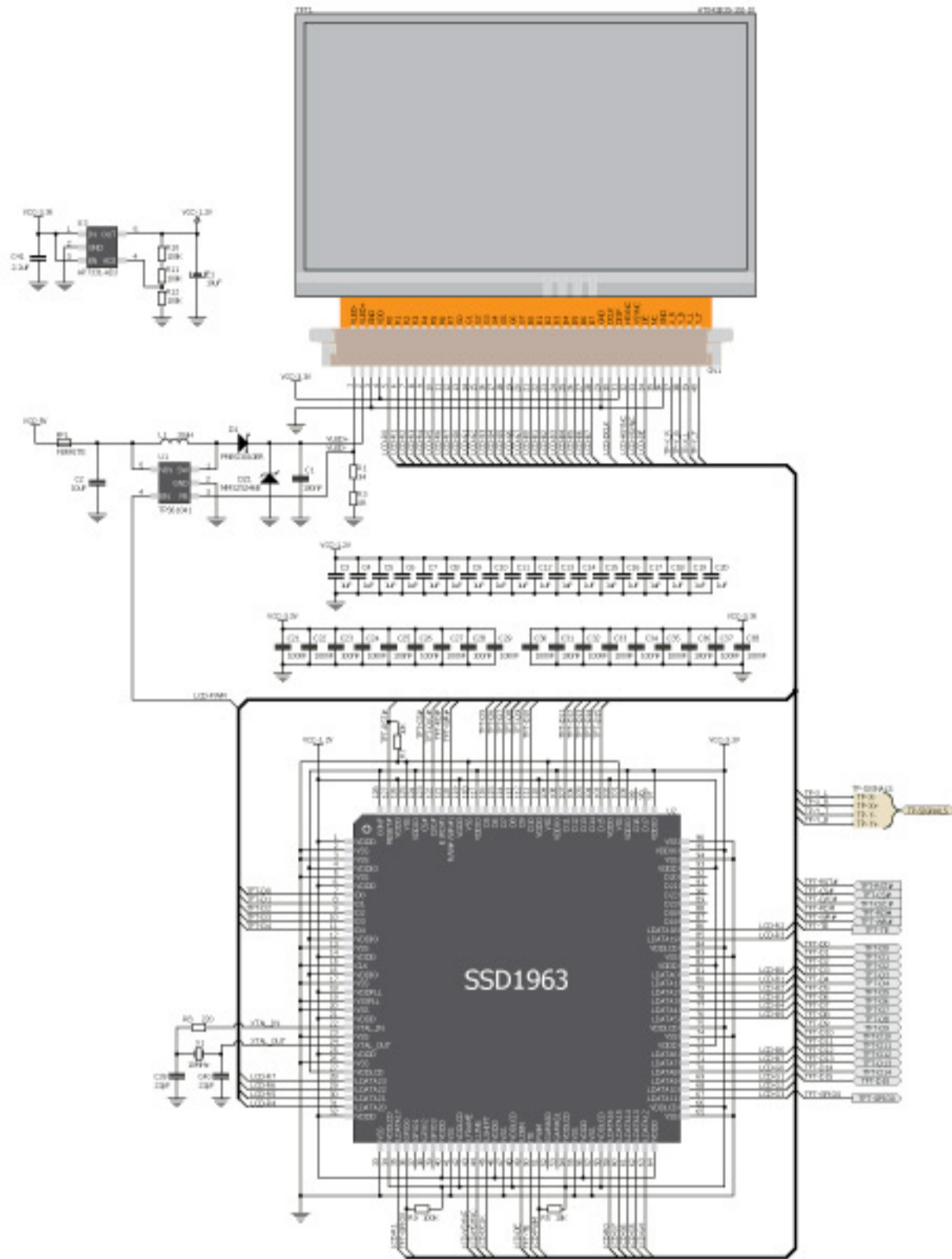
POWER SUPPLY



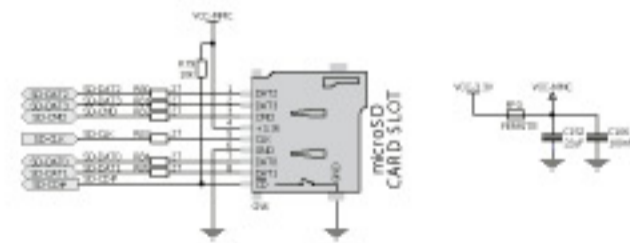
ETHERNET



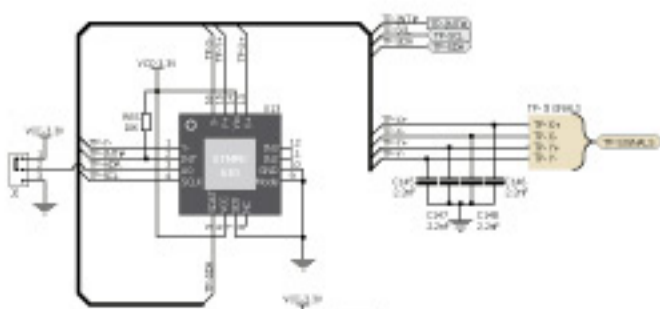
RF TRANSCEIVER



TFT



microSD



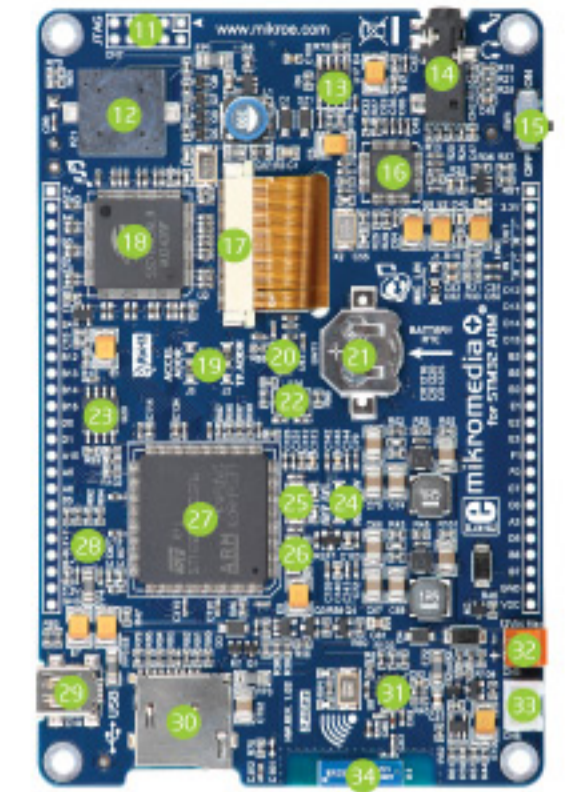
TOUCH SCREEN

Board components (front)



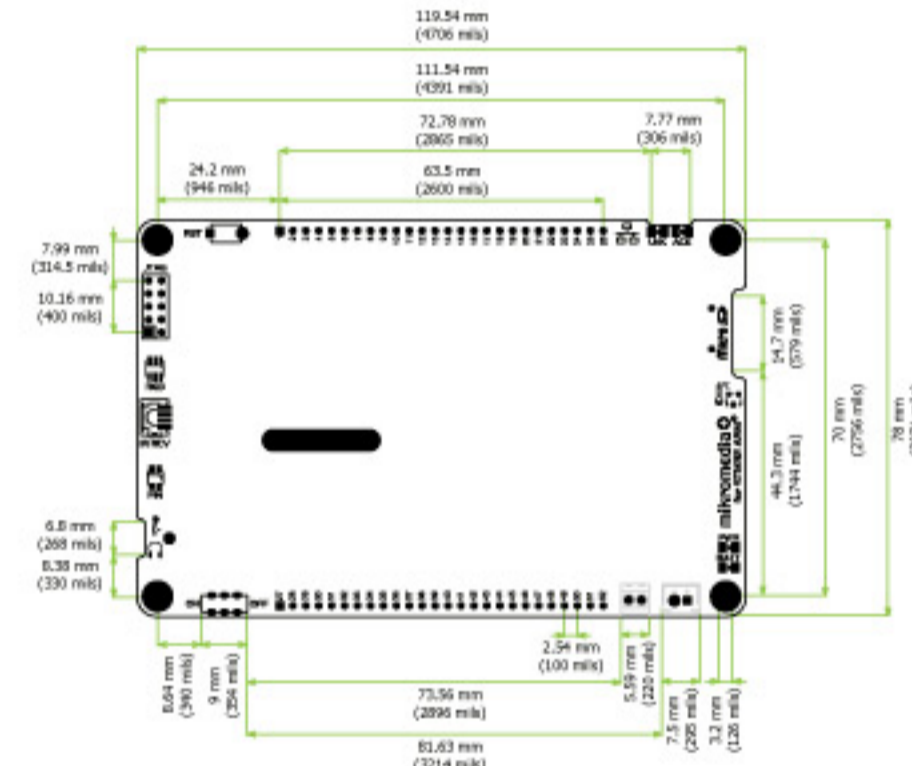
- 01 PIN photodiode
- 02 IR receiver
- 03 RGB LED diode
- 04 RESET button
- 05 Connection pads
- 06 TFT 480x272 display
- 07 ETHERNET status LEDs
- 08 Charge indication LED
- 09 Power indication LED
- 10 Analog temperature sensor
- 11 JTAG/SWD programmer connector
- 12 Buzzer
- 13 Operational amplifiers
- 14 3.5mm audio connector
- 15 ON/OFF Switch
- 16 VS1053 Stereo mp3 coder/decoder
- 17 Flat cable connector

- 18 Display controller
- 19 Accel. and Touch Panel address SMD jumpers
- 20 Touch screen controller
- 21 Battery holder
- 22 Accelerometer
- 23 Serial Flash memory
- 24 Reference selection SMD jumper
- 25 25MHz Crystal oscillator
- 26 32.768kHz Crystal oscillator
- 27 STM32™ ARM® Cortex™-M4 STM32F746ZG
- 28 ETHERNET controller
- 29 USB MINI-B connector
- 30 microSD card slot
- 31 RF transceiver chip
- 32 Power screw terminals
- 33 Li-Polymer battery connector
- 34 2.4GHz Antenna

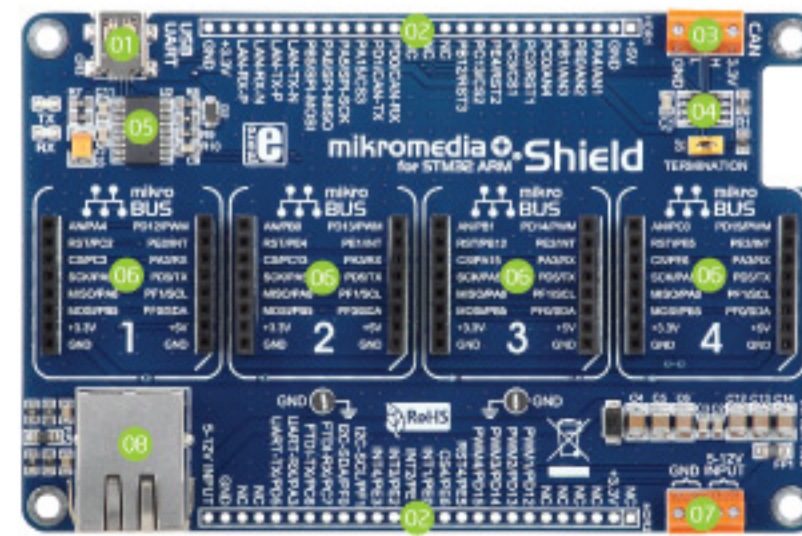


Board components (back)

Board dimensions

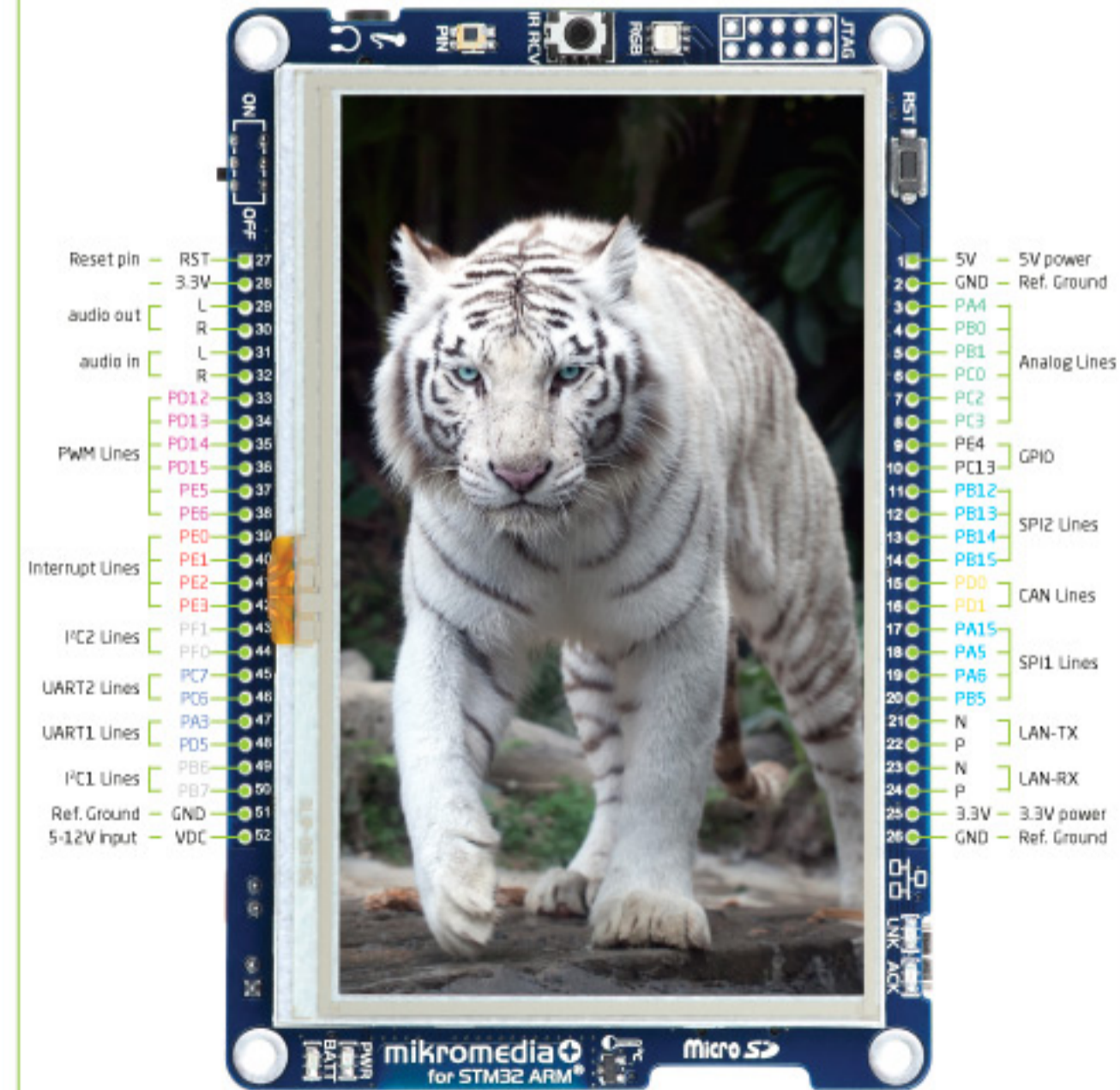


mikromedia Shield



- 01 USB MINI-B connector
- 02 Connection pads
- 03 CAN screw terminals
- 04 CAN transceiver chip
- 05 FTDI dip
- 06 mikroBUS sockets
- 07 Power supply screw terminals
- 08 ETHERNET connector

Board PINOUT



Legend: CAN Lines (yellow), Analog Lines (green), Interrupt Lines (red), SPI Lines (blue), I2C Lines (grey), UART Lines (dark blue), PWM Lines (magenta)

X-ON Electronics

Largest Supplier of Electrical and Electronic Components

Click to view similar products for [Display Modules](#) category:

Click to view products by [MikroElektronika](#) manufacturer:

Other Similar products are found below :

[LCD-WVGA-7IN-1](#) [P6153-PR](#) [TDP0700T800480PCAP](#) [P6171DPR-DC-RS](#) [99-47-02033A](#) [P6171DPR-DC-U](#) [96LEDK-A215FH25NF5](#)
[IDK-1121WR-30FHA1E](#) [IDK-104R-32SVI1](#) [WF70GTIAGDNT0#](#) [G1619W02BBW01](#) [MIKROMEDIA 4 FOR STM32F4 CAPACITIVE FPI](#)
[MIKROMEDIA 3 FOR STM32F4 CAPACITIVE FPI](#) [PH320240T023-IHC09](#) [1148693](#) [1148689](#) [PIM537](#) [TN0216ANVNANN-GN00](#)
[TN0104ANVAANN-GN00](#) [TN0181ANVNANN-GN00](#) [12121000](#) [MIKROMEDIA FOR DSPIC33](#) [MIKROMEDIA FOR PIC24](#)
[MIKROMEDIA FOR PIC32](#) [MIKROMEDIA FOR STELLARIS M3](#) [MIKROMEDIA FOR XMEGA](#) [MIKROMEDIA HMI 3.5 RES](#)
[MIKROMEDIA HMI 5](#) [MIKROMEDIA PLUS FOR FT90X](#) [MIKROMEDIA PLUS FOR PIC32MX7 SHIELD](#) [MIKROMEDIA PROTO](#)
[SHIELD](#) [MIKROMEDIA 5 FOR TIVA](#) [MIKROMEDIA 5 FOR TIVA SHIELD](#) [MIKROMEDIA 7 FOR STM32F4](#) [MIKROMEDIA](#)
[CONNECT SHIELD](#) [MIKROMEDIA FOR ARM](#) [MIKROMEDIA FOR DSPIC33EP](#) [MIKROMEDIA FOR PSOC5LP](#) [MIKROMEDIA](#)
[GAMING SHIELD](#) [MIKROMEDIA HMI 4.3 UXB](#) [MIKROMEDIA HMI 5 RES](#) [MIKROMEDIA HMI 5 UXB](#) [MIKROMEDIA HMI 7](#)
[MIKROMEDIA HMI BREAKOUT BOARD](#) [MIKROMEDIA PLUS FOR PIC32MX7](#) [MIKROMEDIA PLUS FOR STM32](#)
[RVT28AEFNWN00](#) [RVT28UEFNWC01](#) [RVT28UEFNWC03](#) [RVT28UEFNWC05](#)