

PRODUCT NUMBER  
20020009-XXXXXXLF

20020009 -

PITCH  
C : 3.50 mm  
D : 3.81 mm  
G : 5.00 mm  
H : 5.08 mm

POLES  
02: 2 POLES  
03: 3 POLES  
04: 4 POLES  
:  
:  
:  
24: 24 POLES

LF : DENOTES ROHS COMPATIBLE  
1 : STANDARD PRODUCT  
W/ BOX PACKING

SCREW CODE

PROPERTY TABLE						
FCI SERIES NAME		02-350	02-381	02-500	02-508	
PITCH (mm)		3.50	3.81	5.00	5.08	
VOLTAGE RATING (VAC)		300	300	300	300	
CURRENT RATING (A)	cULus	8	8	12	12	
	VDE	10	10	NA	NA	
APPLICABLE WIRE RANGE (AWG)	1-WIRE	16~28	16~28	12~24	12~24	
	2-WIRE	20	20	18	18	
WIRE CROSS SECTION (mm <sup>2</sup> )	SOLID	1-WIRE	1.5	1.5	2.5	2.5
		2-WIRE	0.5	0.5	1.0	1.0
	STRANDED	1-WIRE	1.5	1.5	2.5	2.5
		2-WIRE	0.75	0.75	1.5	1.5
OPENING CONTACT HOUSING(mm <sup>2</sup> )		2.8x1.7	2.8x1.7	2.6x3.3	2.6x3.3	
WIRE STRIP LENGTH(mm)		6~7	6~7	6~7	6~7	
TORQUE +/-10% (N-m/Lb-in)		0.19/1.7	0.19/1.7	0.4/3.5	0.4/3.5	
SCREW		M2x0.4	M2x0.4	M3x0.5	M3x0.5	
WITHSTANDING VOLTAGE (kv)	cULus	1.6	1.6	1.6	1.6	
	VDE	2.5	2.5	NA	NA	
OPERATING TEMP. (°C)		-40~+115	-40~+115	-40~+115	-40~+115	
POLES AVAILABLE		02~24	02~24	02~24	02~24	
SAFETY CERTIFICATE						

HOUSING CODE

CODE	COLOR	AVAILABILITY
1	GREEN(RAL 6018/T)	STANDARD
2	BLACK	ON REQUEST ONLY
3	GREY(RAL 7004/P)	ON REQUEST ONLY
4	BLUE(RAL 5015/A)	ON REQUEST ONLY

CODE	SCREW TYPE	AVAILABILITY
A	-/+	ON REQUEST ONLY
B	-	STANDARD

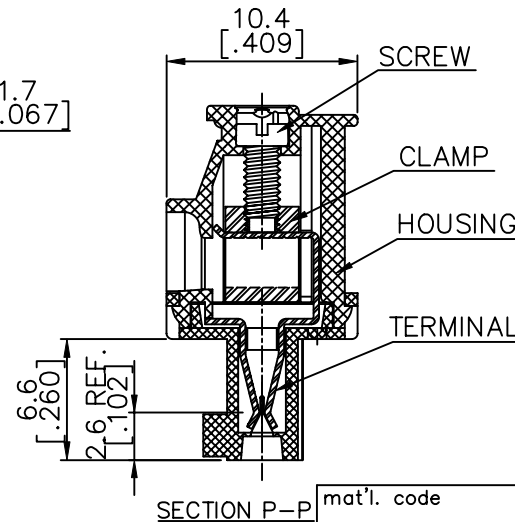
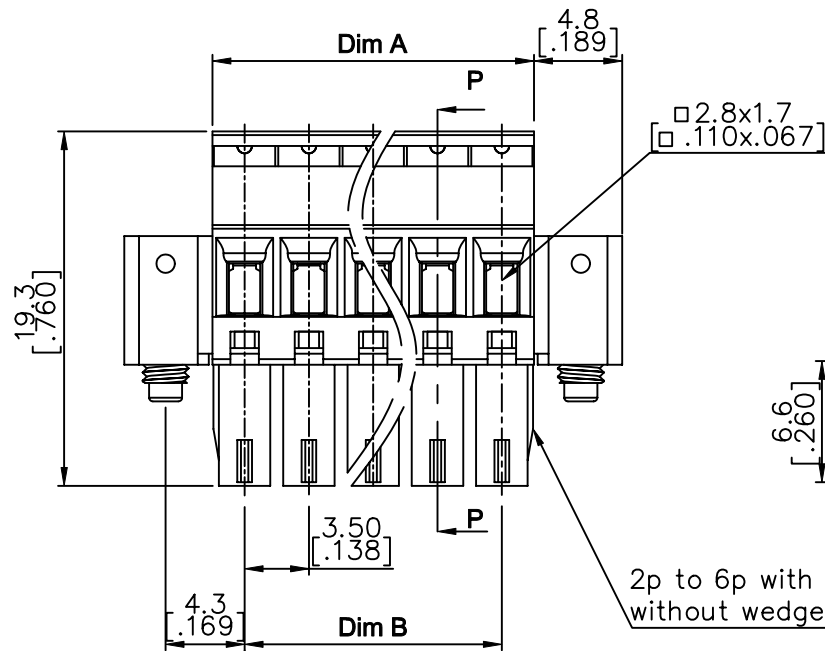
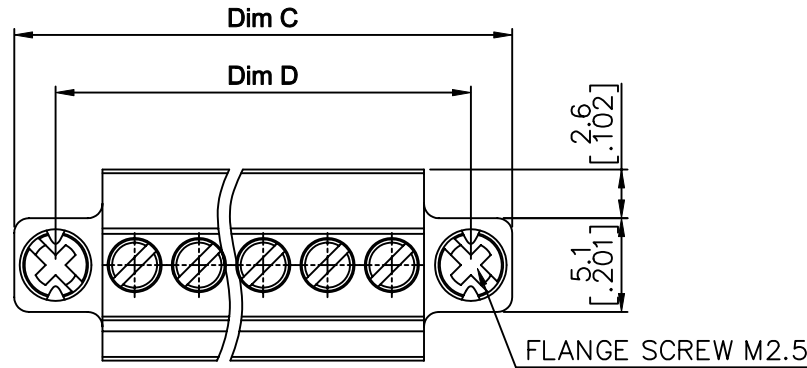
ALL FLANGE SCREWS ARE ONLY AVAILABLE IN +/- COMBINATION SCREW TYPES.

NOTES:

- MATERIALS
  - 1-1 HOUSING: THERMALPLASTIC RESIN, UL 94V-0 RATED.
  - 1-2 SCREW AND FLANGE SCREW: STEEL, ZINC PLATED.
  - 1-3 CLAMP: COPPER ALLOY, NICKEL PLATED.
  - 1-4 TERMINAL: COPPER ALLOY, TIN PLATED.
- PRODUCT SPECIFICATION REFER TO FCI GS-12-625.
- BOXED PACKAGING, DETAILED PRODUCT PACKING SPECIFICATION REFER TO FCI GS-14-1394.
- FCI, SAFETY CERTIFICATE LOGO AND SERIES NAME TO BE SHOWN ON PRODUCT SURFACE.
- THE PRODUCTS WHERE THE PART NUMBER END IN "LF" MEET THE EUROPEAN UNION DIRECTIVE AND OTHER COUNTRY REGULATIONS AS DESCRIBED IN GS-22-008.

mat'l. code		surface ASME Y14.5 ✓		tolerance ASME Y14.5		projection		product family TERMINAL BLOCK	
ltr		ecn no	dr	date		tolerances unless otherwise specified		title	
A	T10-0062	WL		050710		X.±0.5[.020]		TERMINAL BLOCK	
B	T10-0127	WL		080910		X.X±0.3[.012]		PLUGGABLE PLUG, SIGNAL, ENTRYSIDE HOOK	
C	T10-0140	WL		090310		X'±1"		W/FLANGE	
D	T10-0155	WL		093010		dr WENDY CHEN		042310	
E	T10-0187	WL		121410		enr JASON HSU		042310	
F	T11-0013	WL		040811		chr GARY HSIEH		042310	
G	T-004860	WL		080411		appd JOSEPH HSIA		042310	
sheet index	revision	G	G	G	G	G	G		
	sheet	1	2	3	4	5			
								type CUSTOMER Drawing	

PRODUCT NUMBER	SERIES NAME	PITCH
20020009-CXXXXXLFF	02-350	3.50 mm



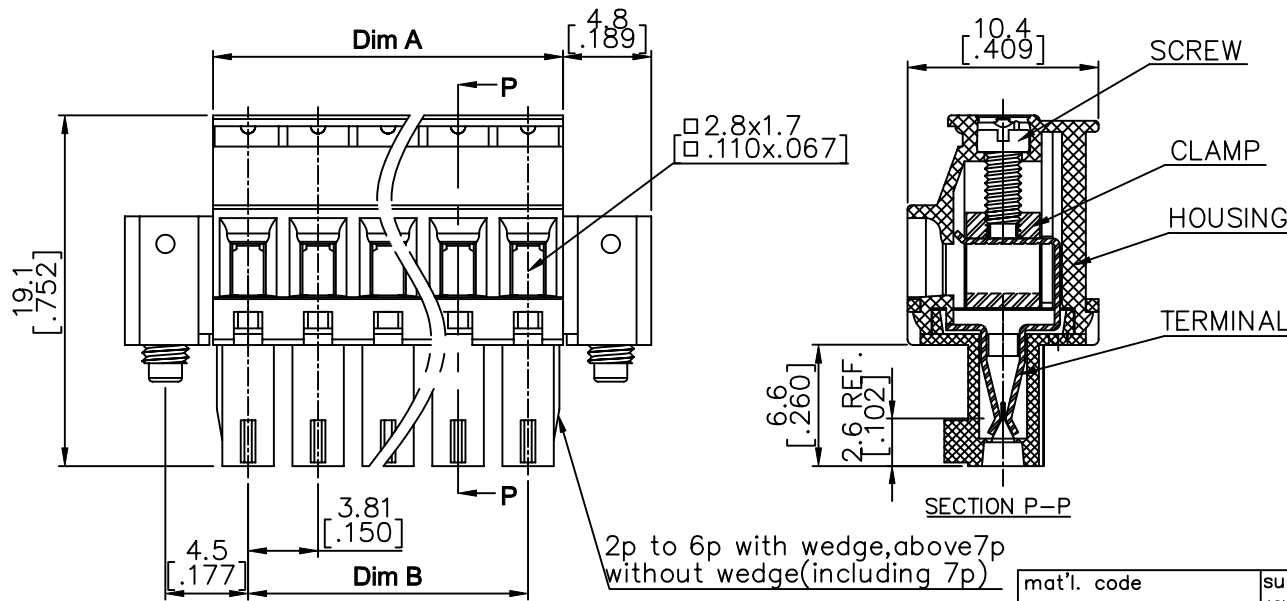
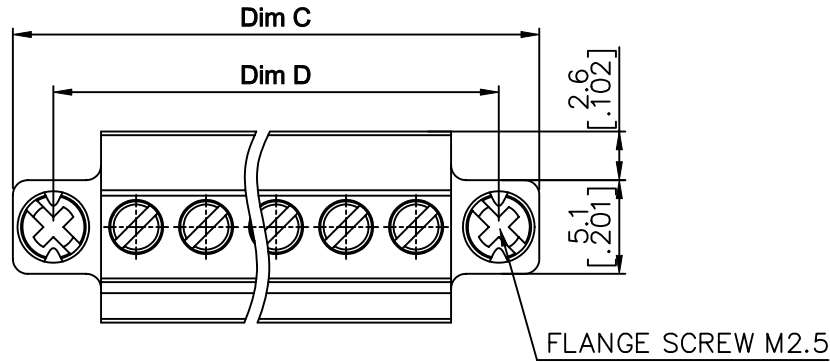
N = Number of poles

Dim A	$N \times 3.5 [.138]$
Dim B	$(N-1) \times 3.5 [.138]$
Dim C	$N \times [.138] 3.5 + 9.6 [.378]$
Dim D	$(N-1) \times 3.5 [.138] + 8.6 [.339]$

Poles	Tolerance
2p-6p	$\pm 0.15 [.006]$
7p-12p	$\pm 0.20 [.008]$
13p-16p	$\pm 0.25 [.100]$
17p-24p	$\pm 0.30 [.012]$

mat'l. code	surface ASME Y14.5	tolerance ASME Y14.5	projection MM INCH	product family TERMINAL BLOCK
ltr	ecn no	dr	date	title TERMINAL BLOCK PLUGGABLE PLUG, SIGNAL, ENTRYSIDE HOOK W/FLANGE
G				dwg no 20020009
	angles	tolerance	scale	sheet 2 of 5 size A4
	$X \pm 0.5 [.020]$	$X.X \pm 0.3 [.012]$		type CUSTOMER Drawing
	$X \pm 1^\circ$	$X.XX \pm 0.1 [.004]$		
	dr	WENDY CHEN	042310	
	enr	JASON HSU	042310	
	chr	GARY HSIEH	042310	
	appd	JOSEPH HSIA	042310	
sheet index	revision sheet			

PRODUCT NUMBER	SERIES NAME	PITCH
20020009-DXXXXXXLF	02-381	3.81 mm



N = Number of poles

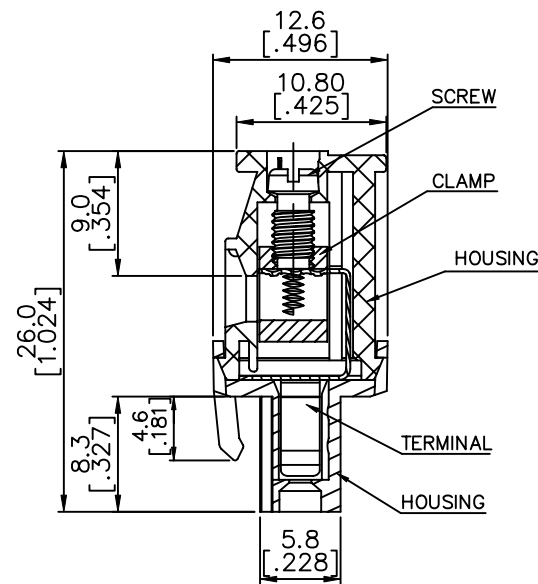
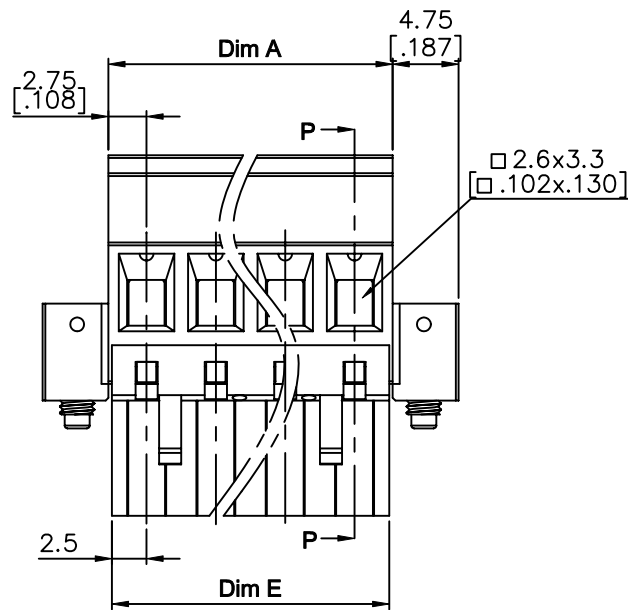
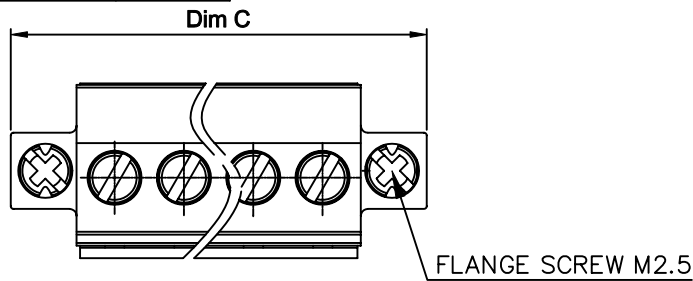
Dim A	$N \times 3.81 [.150]$
Dim B	$(N-1) \times 3.81 [.150]$
Dim C	$N \times 3.81 [.150] + 9.6 [.378]$
Dim D	$(N-1) \times 3.81 [.150] + 9.0 [.354]$

Poles	Tolerance
2p-6p	$\pm 0.15 [.006]$
7p-12p	$\pm 0.20 [.008]$
13p-16p	$\pm 0.25 [.100]$
17p-24p	$\pm 0.30 [.012]$

mat'l. code	surface ASME Y14.5 ✓	tolerance ASME Y14.5	projection [Symbol]	product family TERMINAL BLOCK
ltr	ecn no	dr	date	title
G				TERMINAL BLOCK PLUGGABLE PLUG, SIGNAL, ENTRYSIDE HOOK W/FLANGE
	angles	tol	scale	sheet 3 of 5 size
	X°±1'	X.X±0.5 [.020]	MM [INCH]	dwg no
		X.X±0.3 [.012]		20020009
		X.XX±0.1 [.004]		A4
	dr	WENDY CHEN	042310	type
	enr	JASON HSU	042310	CUSTOMER Drawing
	chr	GARY HSIEH	042310	
	appd	JOSEPH HSIA	042310	
sheet index	revision sheet			



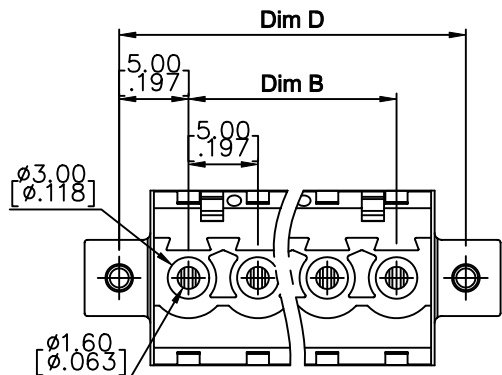
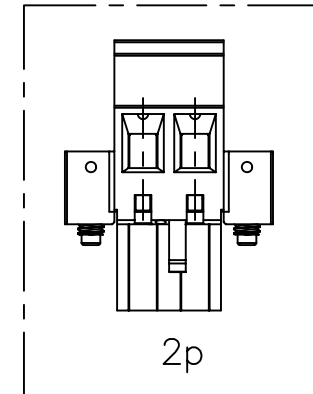
PRODUCT NUMBER	SERIES NAME	PITCH
20020009-GXXXXXXLF	02-500	5.00 mm



N = Number of poles

Dim A	$N \times 5.0 [.197] + 0.5 [.020]$
Dim B	$(N-1) \times 5.0 [.197]$
Dim C	$N \times 5.0 [.197] + 10.0 [.394]$
Dim D	$(N+1) \times 5.0 [.197]$
Dim E	$N \times 5.0 [.197]$

Poles	Tolerance
2p-6p	$\pm 0.15 [.006]$
7p-12p	$\pm 0.25 [.010]$
13p-18p	$\pm 0.30 [.012]$
19p-24p	$\pm 0.40 [.016]$



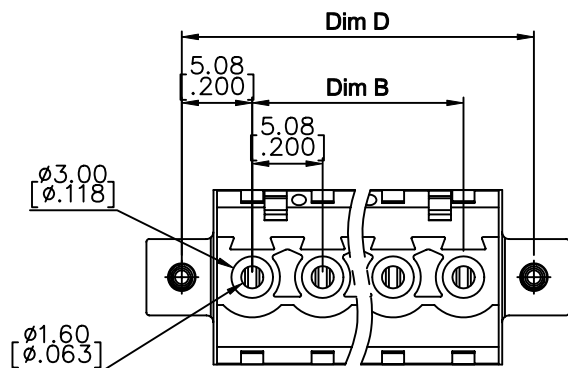
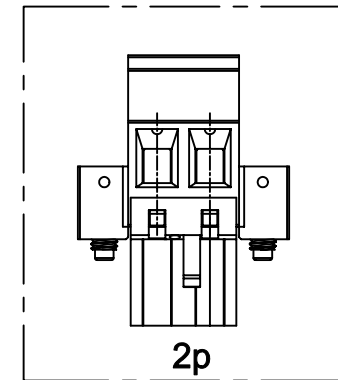
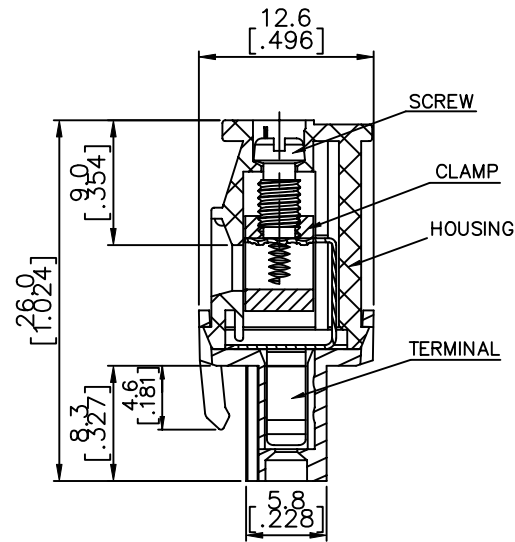
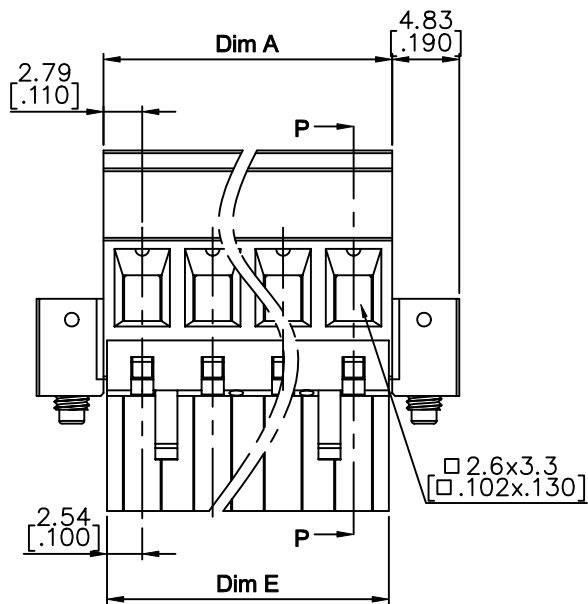
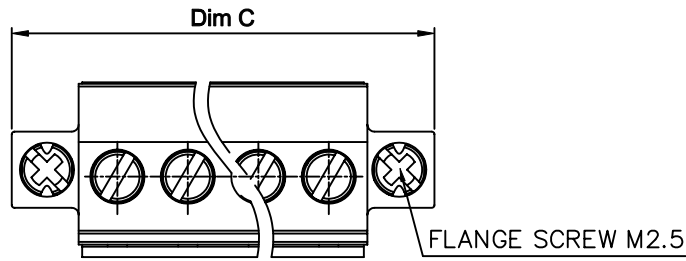
mat'l. code		surface ASME Y14.5	tolerance ASME Y14.5	projection 	product family TERMINAL BLOCK
ltr	ecn no	dr	date	title TERMINAL BLOCK PLUGGABLE PLUG, SIGNAL, ENTRYSIDE HOOK W/FLANGE	
G		tolerances unless otherwise specified		MM INCH	scale
angles		X.±0.5 [.020]		sheet 4 of 5 size	
X°±1'		X.X±0.3 [.012]		dwg no 20020009	
		X.XX±0.1 [.004]		A4	
dr		WENDY CHEN 042310		FCI	
enr		JASON HSU 042310		type CUSTOMER Drawing	
chr		GARY HSIEH 042310			
appd		JOSEPH HSIA 042310			
sheet index	revision sheet				

PRODUCT NUMBER	SERIES NAME	PITCH
20020009-HXXXXXLF	02-508	5.08 mm

N = Number of poles

Dim A	$N \times 5.08 [ .200 ] + 0.5 [ .020 ]$
Dim B	$(N-1) \times 5.08 [ .200 ]$
Dim C	$N \times 5.08 [ .200 ] + 9.66 [ .380 ]$
Dim D	$(N+1) \times 5.08 [ .200 ]$
Dim E	$N \times 5.08 [ .200 ]$

Poles	Tolerance
2p-6p	$\pm 0.15 [ .006 ]$
7p-12p	$\pm 0.20 [ .008 ]$
13p-18p	$\pm 0.30 [ .012 ]$
19p-24p	$\pm 0.40 [ .016 ]$



mat'l. code		surface ASME Y14.5	tolerance ASME Y14.5	projection 	product family TERMINAL BLOCK
ltr	ecn no dr	date		tolerances unless otherwise specified	title
G				$X \pm 0.5 [ .020 ]$ $X.X \pm 0.3 [ .012 ]$ $X.XX \pm 0.1 [ .004 ]$	TERMINAL BLOCK PLUGGABLE PLUG, SIGNAL, ENTRYSIDE HOOK W/FLANGE
dr		WENDY CHEN		042310	sheet 5 of 5 size
enr		JASON HSU		042310	20020009
chr		GARY HSIEH		042310	
appd		JOSEPH HSIA		042310	A4
sheet index		revision sheet		type CUSTOMER Drawing	



## X-ON Electronics

Largest Supplier of Electrical and Electronic Components

*Click to view similar products for [Amphenol manufacturer](#):*

Other Similar products are found below :

[PT01SE-16-8P\(476\)](#) [EN2997SE01006MN](#) [CTV06RW-11-2JB-LC](#) [JTPQ00RT-16-35P\(453\)](#) [MS3106B18-11PX](#) [GTS030-18-11S-116](#) [10-507142-843](#) [D38999/26JD19SALC](#) [D38999/26JD18PA](#) [JT07RT-22-35P](#) [D38999/26JD18SALC](#) [D38999/26JD18JA](#) [18-428](#) [JT07RT-22-35PC](#) [PT02E8-2S-072](#) [GTS06-14S-9SZ-025](#) [97-3102A22-10SW-958](#) [97-3102A22-10SX-958](#) [97-3102A22-10SY-958](#) [97-3102A22-5SW-959](#) [97-3102A22-5SX-959](#) [TVS06RF-17-35AD](#) [MS27468E25F43S](#) [97-3101A14S-9PX-959](#) [97-3101A14S-9PW-959](#) [JT07RT-8-35S](#) [MS27468E15F19PLC](#) [D38999/26JD35JA](#) [GTC030-28-21P-025-A31](#) [AIB2-22-14SC-072](#) [AIB2-22-22SC-RDS-072](#) [TVPS00RK-11-2AC](#) [AIB2-22-22PC-072](#) [100-007-213-002-001](#) [MS3108B28-15PY](#) [JT07RT-22-14PB-453](#) [GTS00AF28-7S](#) [2M801-010-01M16-5SA](#) [TV07DZ-23-151S-S1](#) [TV07DZ-23-151S-S1AD](#) [TVS06RF-21-79S\(LC\)](#) [TVS07RF-21-79S\(LC\)](#) [GTS00A-28-84S](#) [PT03SE-14-12PLC](#) [GTCL01-24-2SW-025-B30](#) [AIB30-14S-5SC-L](#) [AIB30-14S-5SXC-L](#) [97-3108A14S-5PX](#) [TVS07RF-19-11BB](#) [CTVS06RF-17-6BB](#)