

PRODUCT NUMBER
20020111-XXXXXXLF

20020111-□ □ □ □ A 0 □ LF

PITCH
C : 3.50 mm
D : 3.81 mm
G : 5.00 mm
H : 5.08 mm



POLES
02: 2 POLES
03: 3 POLES
04: 4 POLES
.
.
.
24: 24 POLES

LF : DENOTED ROHS COMPATIBLE
1 : STANDARD PRODUCT
W/ BOX PACKING

HOUSING CODE

CODE	COLOR	AVAILABILTY
1	GREEN(RAL 6018/T)	STANDARD
2	BLACK	ON REQUEST ONLY
3	GREY(RAL 7004/P)	ON REQUEST ONLY
4	BLUE(RAL 5015/A)	ON REQUEST ONLY

PROPERTY TABLE

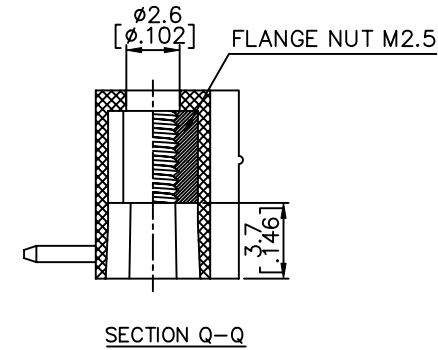
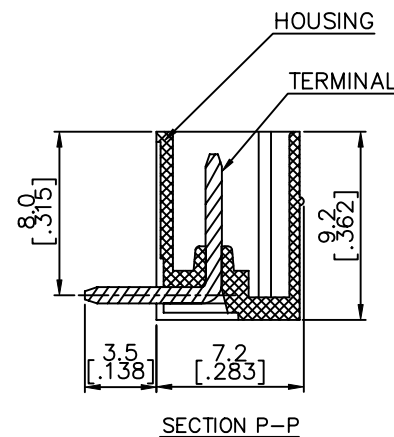
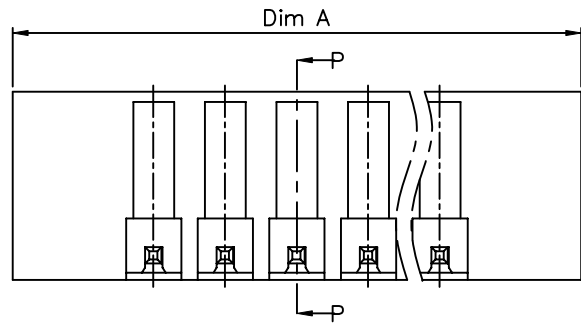
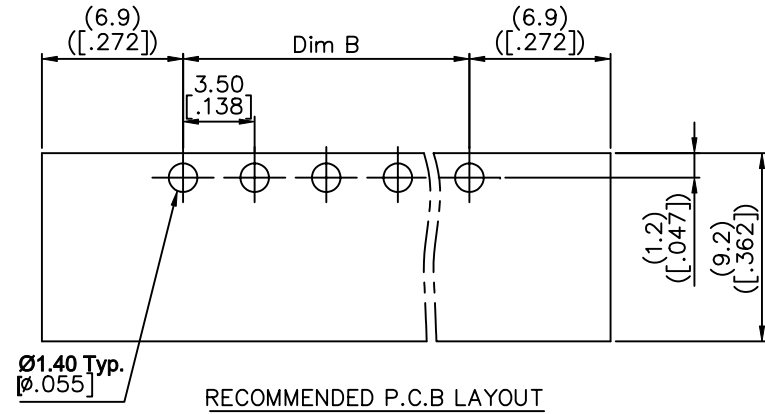
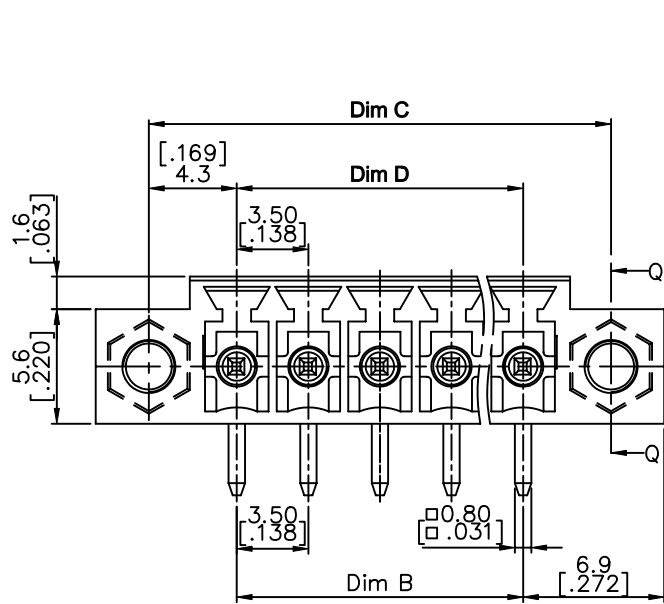
FCI SERIES NAME		06-350	06-381	06-500	06-508
PITCH (mm)		3.50	3.81	5.00	5.08
VOLTAGE RATING (VAC)		300	300	300	300
CURRENT RATING (A)	cULus	10	10	12	12
	VDE	10.5	10.5	NA	NA
WITHSTANDING VOLTAGE (kV)	cULus	1.6	1.6	1.6	1.6
	VDE	2.5	2.5	NA	NA
OPERATING TEMP. (°C)		-40~+115	-40~+115	-40~+115	-40~+115
SOLDERING TEMP. (°C)		250±10 (5 sec.)	250±10 (5 sec.)	250±10 (5 sec.)	250±10 (5 sec.)
POLES AVAILABLE		02~24	02~24	02~24	02~24
SAFETY CERTIFICATE					

NOTES:

- MATERIALS
1-1 HOUSING: THERMALPLASTIC RESIN, UL 94V-0 RATED.
1-2 TERMINAL: COPPER ALLOY, TIN PLATED.
- PRODUCT SPECIFICATION REFER TO FCI GS-12-625.
- BOXED PACKAGING,
DETAILED PRODUCT PACKING SPECIFICATION REFER TO FCI GS-14-1394.
- FCI, SAFETY CERTIFICATE LOGO AND SERIES NAME TO BE SHOWN ON PRODUCT SURFACE.
- THE PRODUCTS WHERE THE PART NUMBER END IN "LF" MEET THE EUROPEAN UNION DIRECTIVE AND OTHER COUNTRY REGULATIONS AS DESCRIBED IN GS-22-008.
- RECOMENDED SOLDERING PROCESS BY WAVE SOLDER.

mat'l. code		surface ASME Y14.5 ✓		tolerance ASME Y14.5		projection		product family	
ltr		ecn no	dr	date		tolerances unless otherwise specified		TERMINAL BLOCK	
A	T10-0062	WL	050710	angles		X.±0.5[.020]		title	
B	T10-0155	WL	093010	X.X±0.3[.012]		MM		TERMINAL BLOCK	
C	T10-0187	WL	121410	X°±1°		[INCH]		PLUGGABLE, SOCKET, SIGNAL, R/A	
D	T11-0006	WL	012611	dr		X.XX±0.1[.004]		W/FLANGE	
E	T11-0013	WL	040811	enr		WENDY CHEN 042610		scale	
F	T-004860	WL	080411	chr		JASON HSU 042610		sheet 1 of 5 size	
appd		JOSEPH HSIA		042610		FCI		20020111 A4	
sheet index		revision		F F F F F F		type		CUSTOMER Drawing	
sheet		1 2 3 4 5							

PRODUCT NUMBER	SERIES NAME	PITCH
20020111-CXXXXXXLF	06-350	3.50 mm



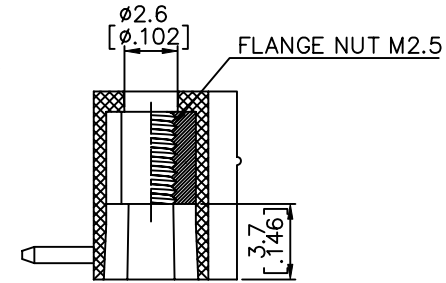
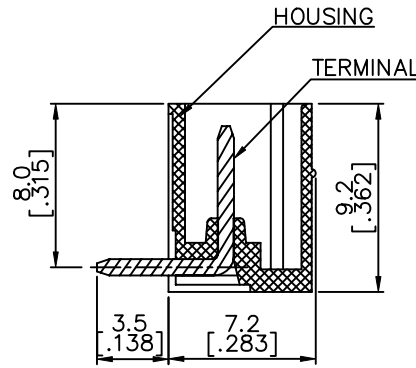
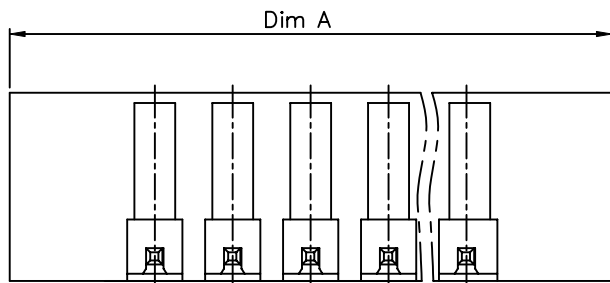
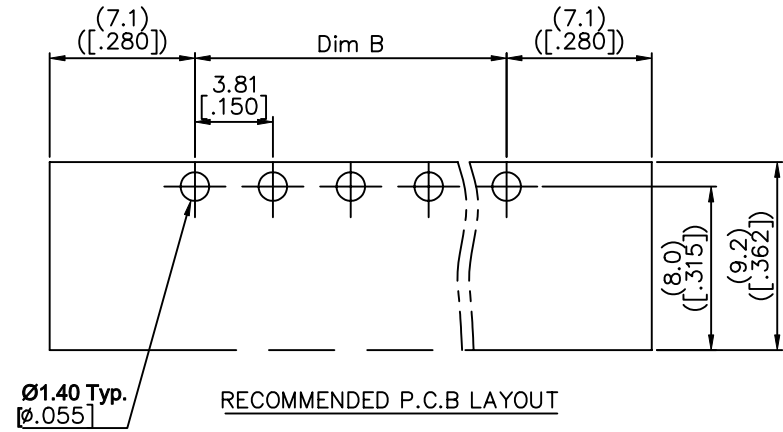
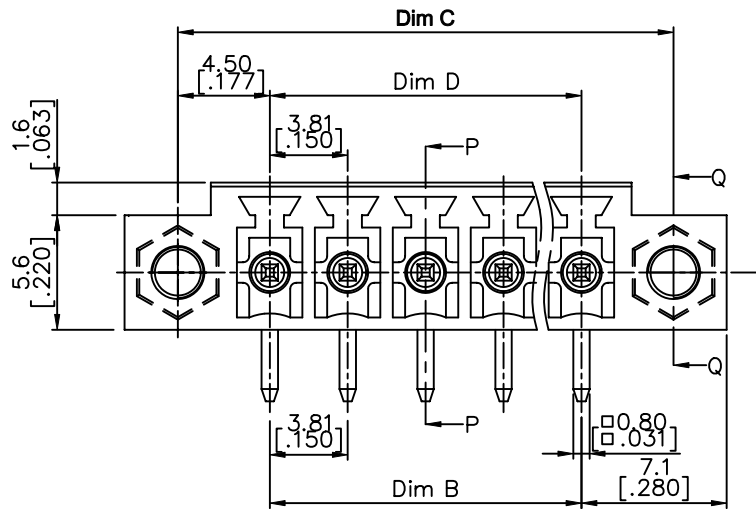
N= Number of poles

Dim A	$(N-1)*3.5[.138]+13.8[.543]$
Dim B	$(N-1)*3.5[.138]$
Dim C	$(N-1)*3.5[.138]+8.6[.339]$
Dim D	$(N-1)*3.5[.138]$

Poles	Tolerance
2p-6p	$\pm 0.15[.006]$
7p-12p	$\pm 0.20[.008]$
13p-16p	$\pm 0.25[.010]$
17p-24p	$\pm 0.30[.012]$

mat'l. code	surface ASME Y14.5	tolerance ASME Y14.5	projection	product family
ltr	ecn no	dr	date	TERMINAL BLOCK
F				title
		angles	in	TERMINAL BLOCK
		X ± 0.5 [.020]	MM	PLUGGABLE, SOCKET, SIGNAL, R/A
		X.X ± 0.3 [.012]	[INCH]	W/FLANGE
		X ± 1	scale	dwg no
		X.XX ± 0.1 [.004]		sheet 2 of 5 size
	dr	WENDY CHEN	042610	20020111
	enr	JASON HSU	042610	A4
	chr	GARY HSIEH	042610	type
	appd	JOSEPH HSIA	042610	CUSTOMER Drawing
sheet index	revision sheet			

PRODUCT NUMBER	SERIES NAME	PITCH
20020111-DXXXXXXLF	06-381	3.81 mm



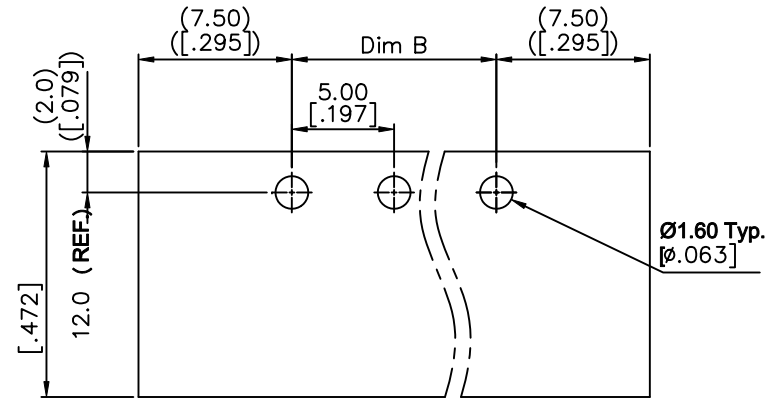
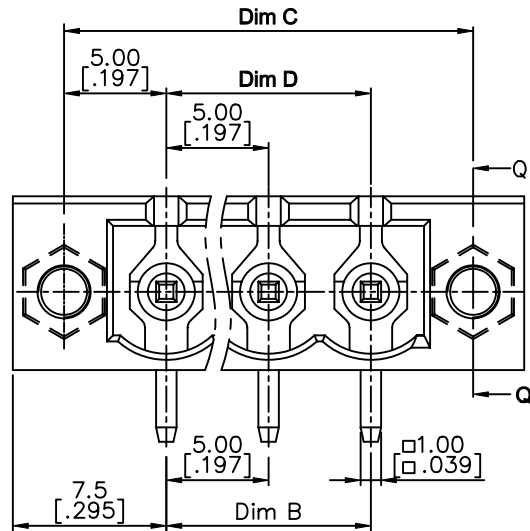
N= Number of poles

Dim A	$(N-1)*3.81[.150]+14.2[.559]$
Dim B	$(N-1)*3.81[.150]$
Dim C	$(N-1)*3.81[.150]+9.0[.354]$
Dim D	$(N-1)*3.81[.150]$

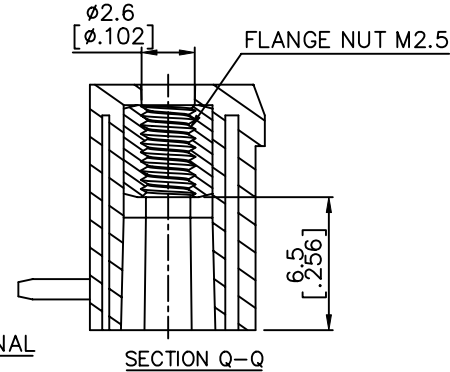
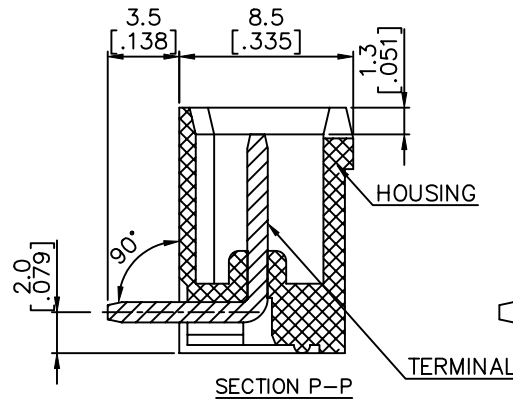
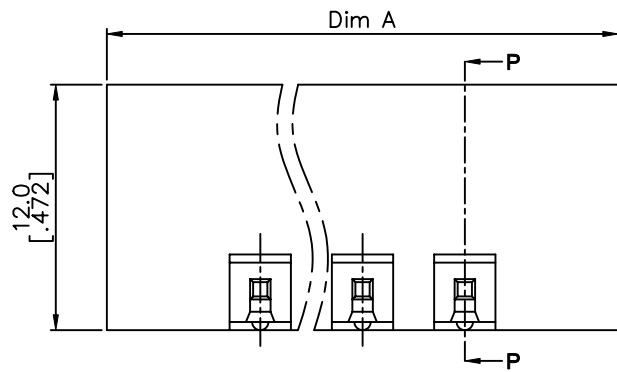
Poles	Tolerance
2p-6p	$\pm 0.15[.006]$
7p-12p	$\pm 0.20[.008]$
13p-16p	$\pm 0.25[.010]$
17p-24p	$\pm 0.30[.012]$

mat'l. code	surface ASME Y14.5	tolerance ASME Y14.5	projection	product family TERMINAL BLOCK
ltr	ecn no	dr	date	title
F				TERMINAL BLOCK PLUGGABLE, SOCKET, SIGNAL, R/A W/FLANGE
	angles	in	at	scale
				MM INCH
	X°±1'	X.XX±0.1	[.004]	scale
	dr	WENDY CHEN	042610	dwg no
	enr	JASON HSU	042610	sheet 3 of 5
	chr	GARY HSIEH	042610	size
	appd	JOSEPH HSIA	042610	20020111
sheet index	revision sheet			A4
				type
				CUSTOMER Drawing

PRODUCT NUMBER	SERIES NAME	PITCH
20020111-GXXXXXL	06-500	5.00 mm



RECOMMENDED PCB LAYOUT



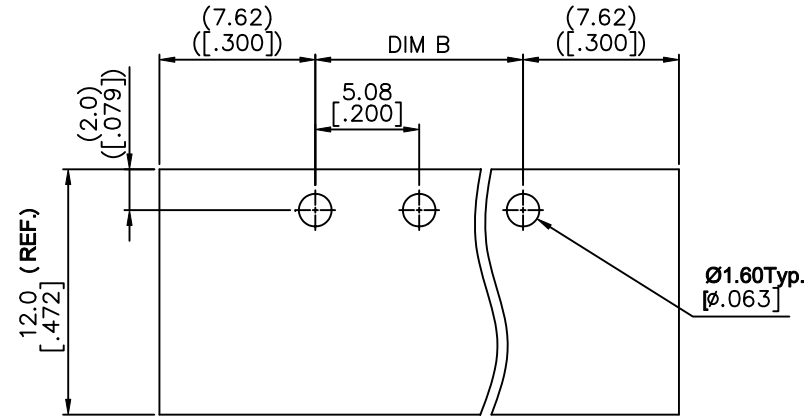
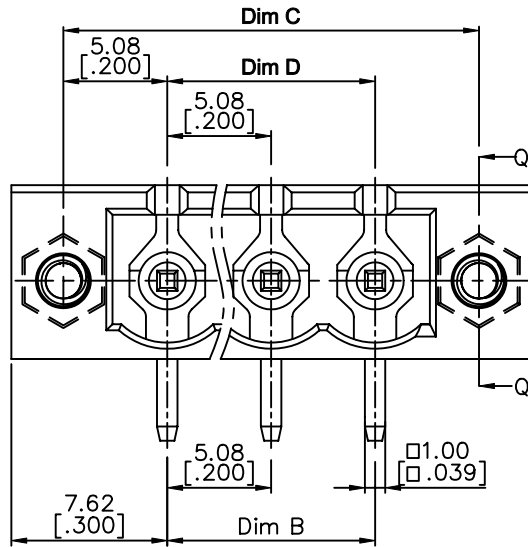
N= NUMBER OF POLES

Dim A	(N+2)*5.0 [.197]
Dim B	(N-1)*5.0 [.197]
Dim C	(N+1)*5.0 [.197]
Dim D	(N-1)*5.0 [.197]

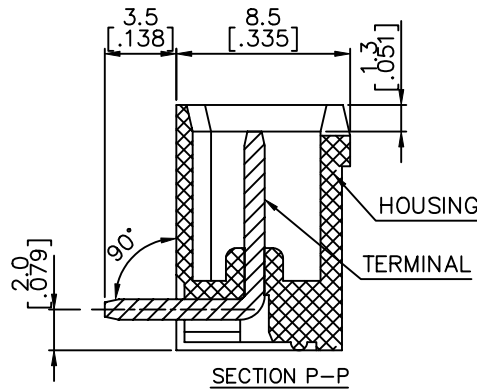
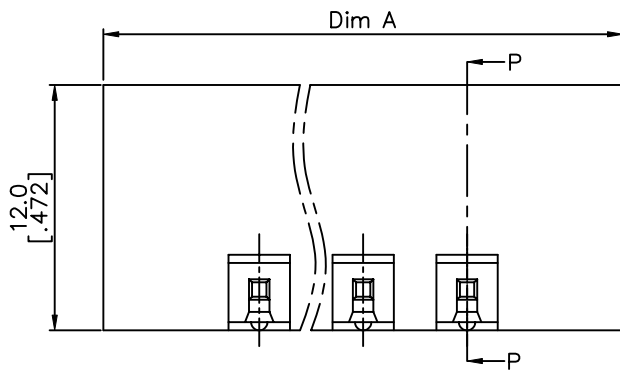
Poles	Tolerance
2P-6P	±0.15 [.006]
7P-12P	±0.20 [.008]
13P-18P	±0.25 [.010]
19P-24P	±0.30 [.012]

mat'l. code	surface ASME Y14.5	tolerance ASME Y14.5	projection	product family
ltr	ecn no	dr	date	TERMINAL BLOCK
F				title
				TERMINAL BLOCK PLUGGABLE, SOCKET, SIGNAL, R/A W/FLANGE
				dwg no
				sheet 4 of 5 size
				20020111
				A4
				type
				CUSTOMER Drawing
sheet index	revision sheet			

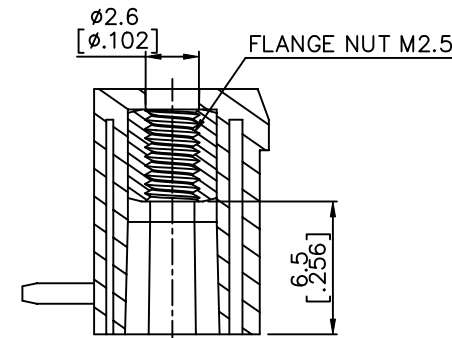
PRODUCT NUMBER	SERIES NAME	PITCH
20020111-HXXXXXXLF	06-508	5.08 mm



RECOMMENDED PCB LAYOUT



SECTION P-P



SECTION Q-Q

N= NUMBER OF CONCATS

Dim A	(N+2)*5.08 [.200]
Dim B	(N-1)*5.08 [.200]
Dim C	(N+1)*5.08 [.200]
Dim D	(N-1)*5.08 [.200]

Poles	Tolerance
2P-6P	±0.15 [.006]
7P-12P	±0.20 [.008]
13P-18P	±0.30 [.012]
19P-24P	±0.40 [.016]

mat'l. code	surface ASME Y14.5	tolerance ASME Y14.5	projection	product family
ltr	ecn no	dr	date	TERMINAL BLOCK
F				title
				TERMINAL BLOCK PLUGGABLE, SOCKET, SIGNAL, R/A W/FLANGE
				dwg no
				sheet 5 of 5 size
				20020111
				A4
				type
				CUSTOMER Drawing
sheet index	revision sheet			

X-ON Electronics

Largest Supplier of Electrical and Electronic Components

Click to view similar products for [Amphenol](#) manufacturer:

Other Similar products are found below :

[PT01SE-16-8P\(476\)](#) [EN2997SE01006MN](#) [CTV06RW-11-2JB-LC](#) [JTPQ00RT-16-35P\(453\)](#) [MS3106B18-11PX](#) [GTS030-18-11S-116](#) [10-507142-843](#) [D38999/26JD19SALC](#) [D38999/26JD18PA](#) [JT07RT-22-35P](#) [D38999/26JD18SALC](#) [D38999/26JD18JA](#) [18-428](#) [JT07RT-22-35PC](#) [PT02E8-2S-072](#) [GTS06-14S-9SZ-025](#) [97-3102A22-10SW-958](#) [97-3102A22-10SX-958](#) [97-3102A22-10SY-958](#) [97-3102A22-5SW-959](#) [97-3102A22-5SX-959](#) [TVS06RF-17-35AD](#) [MS27468E25F43S](#) [97-3101A14S-9PX-959](#) [97-3101A14S-9PW-959](#) [JT07RT-8-35S](#) [MS27468E15F19PLC](#) [D38999/26JD35JA](#) [GTC030-28-21P-025-A31](#) [AIB2-22-14SC-072](#) [AIB2-22-22SC-RDS-072](#) [TVPS00RK-11-2AC](#) [AIB2-22-22PC-072](#) [100-007-213-002-001](#) [MS3108B28-15PY](#) [JT07RT-22-14PB-453](#) [GTS00AF28-7S](#) [2M801-010-01M16-5SA](#) [TV07DZ-23-151S-S1](#) [TV07DZ-23-151S-S1AD](#) [TVS06RF-21-79S\(LC\)](#) [TVS07RF-21-79S\(LC\)](#) [GTS00A-28-84S](#) [PT03SE-14-12PLC](#) [GTCL01-24-2SW-025-B30](#) [AIB30-14S-5SC-L](#) [AIB30-14S-5SXC-L](#) [97-3108A14S-5PX](#) [TVS07RF-19-11BB](#) [CTVS06RF-17-6BB](#)