

PRODUCT NUMBER  
20020130-XXXXXXLF

20020130- □ □ □ □ A 0 □ L F

**PITCH**  
C: 3.50 mm  
D: 3.81 mm  
G: 5.00 mm  
H: 5.08 mm

**POLES**  
02: 2 POLES  
03: 3 POLES  
04: 4 POLES  
24: 24 POLES

LF : DENOTED RoHS COMPATIBLE

1 : STANDARD PRODUCT  
W/ BOX PACKING

HOUSING CODE

CODE	COLOR	AVAILABILITY
1	GREEN(RAL 6018/T)	STANDARD
2	BLACK	ON REQUEST ONLY
3	GREY(RAL 7004/P)	ON REQUEST ONLY
4	BLUE(RAL 5015/A)	ON REQUEST ONLY

PROPERTY TABLE

FCI SERIES NAME	30-350	30-381	30-500	30-508
PITCH (mm)	3.50	3.81	5.00	5.08
VOLTAGE RATING (VAC)	300	300	300	300
CURRENT RATING (A)	cULus	8	8	15
	VDE	10	10	NA
WITHSTANDING VOLTAGE (kV)	cULus	1.6	1.6	1.6
	VDE	2.5	2.5	NA
OPERATING TEMP. (°C)	-40~+115	-40~+115	-40~+115	-40~+115
SOLDERING TEMP. (°C)	250±10	250±10	250±10	250±10
	(5 sec.)	(5 sec.)	(5 sec.)	(5 sec.)
POLES AVAILABLE	02~24	02~24	02~24	02~24

SAFETY CERTIFICATE

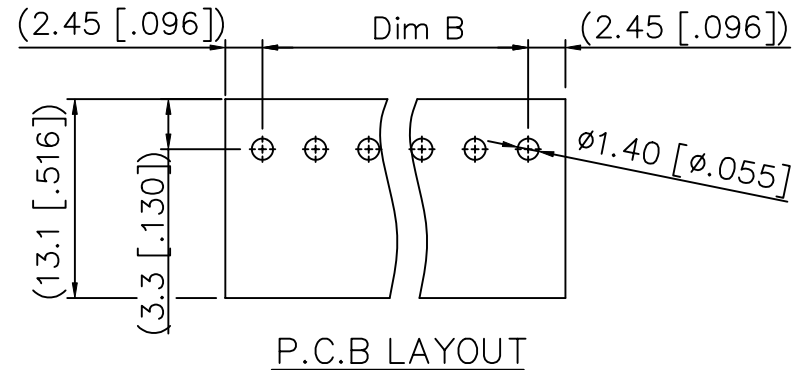
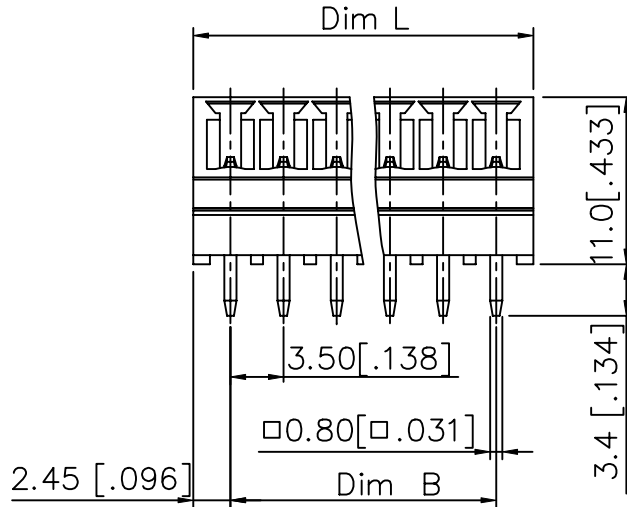
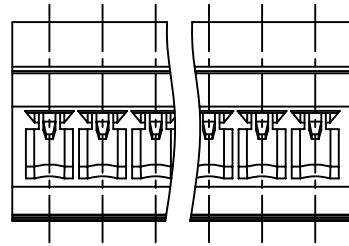


NOTES:

- MATERIALS**  
1-1 HOUSING: THERMALPLASTIC RESIN, UL 94V-0 RATED.  
1-2 TERMINAL: COPPER ALLOY, TIN PLATED.
- PRODUCT SPECIFICATION REFER TO FCI GS-12-625.**
- BOXED PACKAGING,**  
DETAILED PRODUCT PACKING SPECIFICATION REFER TO FCI GS-14-1394.
- FCI, SAFETY CERTIFICATE LOGO AND SERIES NAME TO BE SHOWN ON PRODUCT SURFACE.**
- THE PRODUCTS WHERE THE PART NUMBER END IN "LF" MEET THE EUROPEAN UNION DIRECTIVE AND OTHER COUNTRY REGULATIONS AS DESCRIBED IN GS-22-008.
- RECOMENDED SOLDERING PROCESS BY WAVE SOLDER.

mat'l. code		surface ASME Y14.5 ✓		tolerance ASME Y14.5		projection		product family	
ltr		ecn no	dr	date		tolerances unless otherwise specified		TERMINAL BLOCK	
A	T10-0099	WL		070110		X.±0.5		title	
B	T10-0161	WL		101210		X.X±0.3		TERMINAL BLOCK	
C	T11-0013	WL		040811		X'±1"		PLUGGABLE SIGNAL, SOCKET 45° ANGLE	
						X.XX±0.1		scale	
						dr WENDY CHEN 062310		dwg no	
						enrg JASON HSU 062310		sheet 1 of 5 size	
						chr GARY HSIEH 062310		20020130	
						appd JOSEPH HSIA 062310		A4	
								type	
								CUSTOMER Drawing	
sheet index	revision sheet	C	C	C	C	C	C		
		1	2	3	4	5			

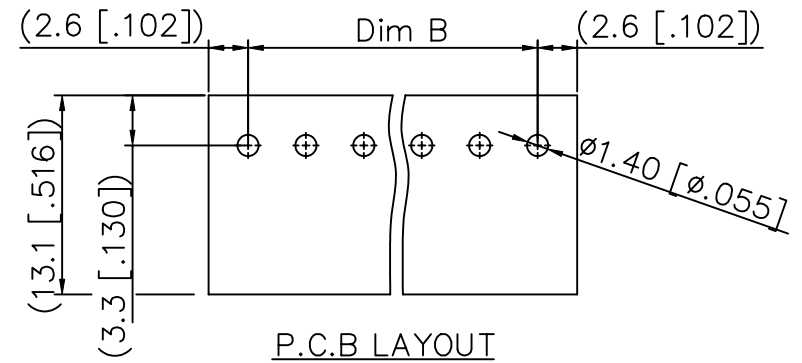
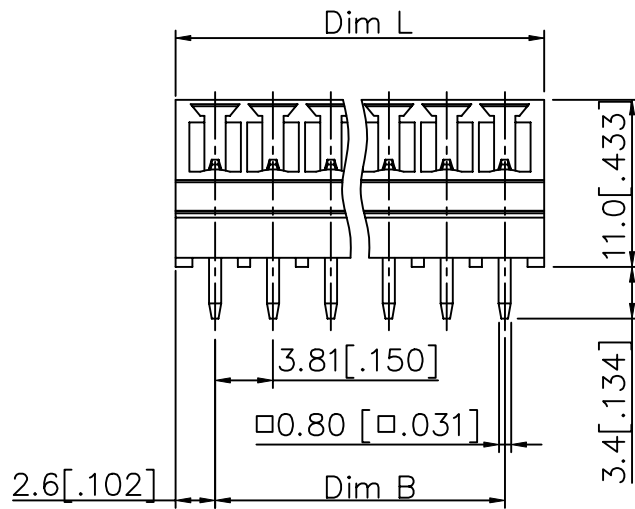
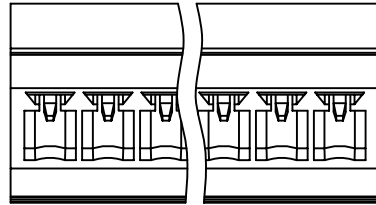
PRODUCT NUMBER	SERIES NAME	PITCH
20020130-CXXXXXXLF	30-350	3.50 mm



POLE	2	3	4	5	6	7	8	
DIM.L	8.4[.331]	11.9[.468]	15.4[.606]	18.9[.744]	22.4[.881]	25.9[1.019]	29.4[1.157]	
DIM.B	3.50[.138]	7.00[.276]	10.50[.413]	14.00[.551]	17.50[.689]	21.00[.827]	24.50[.965]	
Tol.	±0.10[.004]			±0.15[.006]			±0.20[.008]	
POLE	9	10	11	12	13	14	15	16
DIM.L	32.9[1.295]	36.4[1.433]	39.9[1.571]	43.4[1.708]	46.9[1.846]	50.4[1.984]	53.9[2.122]	57.4[2.259]
DIM.B	28.00[1.102]	31.50[1.240]	35.00[1.378]	38.50[1.516]	42.00[1.654]	45.5[1.791]	49.0[1.929]	52.50[2.067]
Tol.	±0.20[.008]				±0.25[.010]			
POLE	17	18	19	20	21	22	23	24
DIM.L	60.9[2.397]	64.4[2.535]	67.9[2.673]	71.4[2.811]	74.9[2.948]	78.4[3.086]	81.9[3.224]	85.4[3.362]
DIM.B	56.00[2.205]	59.50[2.342]	63.00[2.480]	66.50[2.618]	70.00[2.756]	73.50[2.894]	77.00[3.031]	80.50[3.169]
Tol.	±0.25[.010]				±0.30[.012]			

mat'l. code		surface ASME Y14.5	tolerance ASME Y14.5	projection 	product family TERMINAL BLOCK
ltr	ecn no	dr	date	tolerances unless otherwise specified	title
c				angles X±0.5 X.X±0.3 X°±1'	TERMINAL BLOCK PLUGGABLE SIGNAL, SOCKET 45° ANGLE
				scale MM [INCH]	dwg no sheet 2 of 5 size
		dr	WENDY CHEN	062310	20020130
		enr	JASON HSU	062310	A4
		chr	GARY HSIEH	062310	
		appd	JOSEPH HSIA	062310	type CUSTOMER Drawing
sheet index	revision sheet				

PRODUCT NUMBER	SERIES NAME	PITCH
20020130-DXXXXXXLF	30-381	3.81 mm

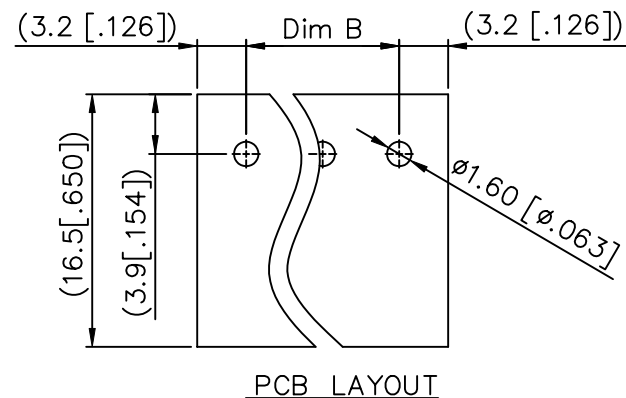
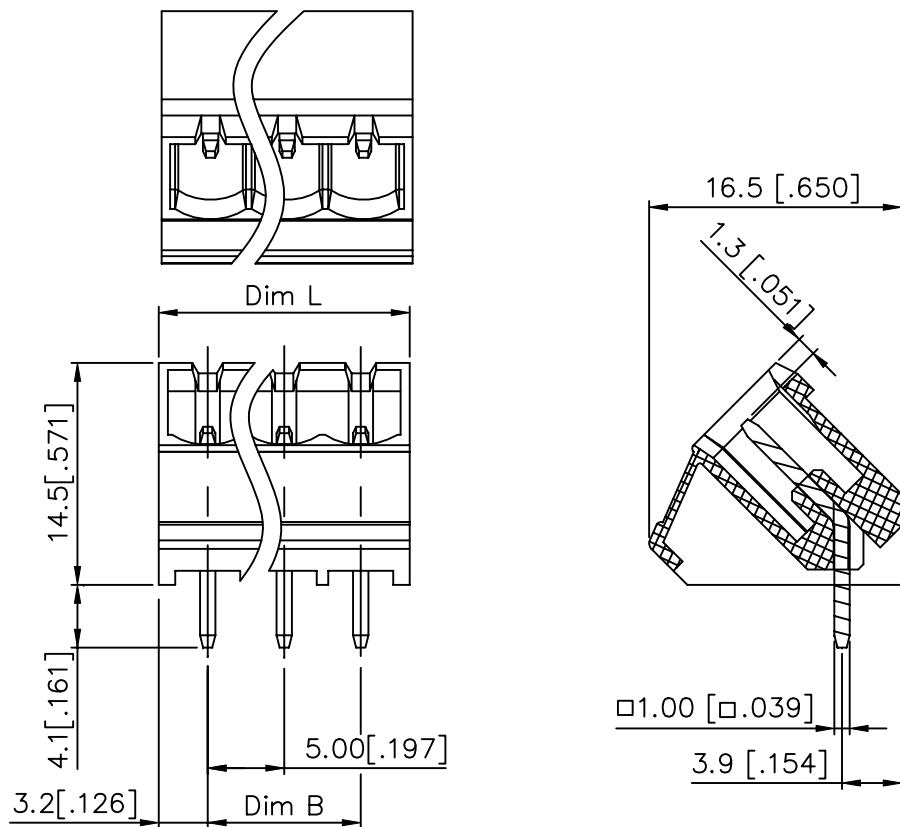


POLE		2	3	4	5	6	7	8
Dim.L		9.01[.300]	12.82[.450]	16.63[.600]	20.44[.750]	24.25[.900]	28.06[1.050]	31.87[1.200]
Dim.B		3.81[.150]	7.62[.300]	11.43[.450]	15.24[.600]	19.05[.750]	22.86[.900]	26.67[1.050]
Tol.		±0.10[.004]			±0.15[.006]			±0.20[.008]
POLE	9	10	11	12	13	14	15	16
Dim.L	35.68[1.350]	39.49[1.500]	43.3[1.650]	47.11[1.800]	50.92[1.950]	54.73[2.100]	58.54[2.250]	62.35[2.400]
Dim.B	30.48[1.200]	34.29[1.350]	38.10[1.500]	41.91[1.650]	45.72[1.800]	49.53[1.950]	53.34[2.100]	57.15[2.250]
Tol.	±0.20[.008]			±0.25[.010]				
POLE	17	18	19	20	21	22	23	24
Dim.L	66.16[2.550]	69.97[2.700]	73.78[2.850]	77.59[3.000]	81.4[3.150]	85.21[3.300]	89.02[3.450]	92.83[3.600]
Dim.B	60.96[2.400]	64.77[2.550]	68.58[2.700]	72.39[2.850]	76.20[3.000]	80.01[3.150]	83.82[3.300]	
Tol.	±0.25[.010]			±0.30[.012]				

mat'l. code		surface ASME Y14.5	tolerance ASME Y14.5	projection	product family TERMINAL BLOCK
ltr	ecn no	dr	date	tolerances unless otherwise specified	title
c				angles X±1°	TERMINAL BLOCK PLUGGABLE SIGNAL, SOCKET 45° ANGLE
				tolerances X.X±0.5 X.X±0.3 X.XX±0.1	MM [INCH]
				scale	dwg no sheet 3 of 5 size
		dr	WENDY CHEN	062310	20020130
		enr	JASON HSU	062310	A4
		chr	GARY HSIEH	062310	
		appd	JOSEPH HSIA	062310	type CUSTOMER Drawing
sheet index	revision sheet				



PRODUCT NUMBER	SERIES NAME	PITCH
20020130-GXXXXXXLF	30-500	5.00 mm

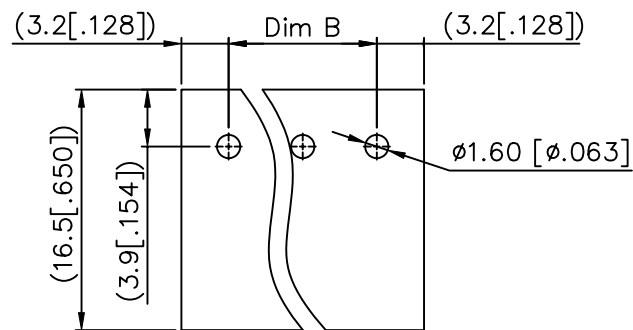
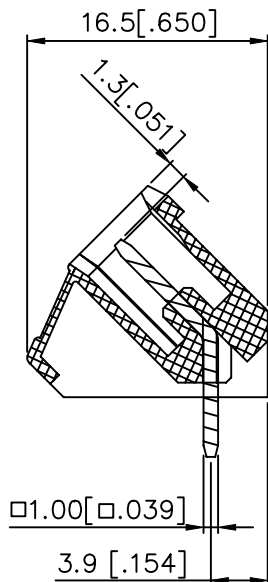
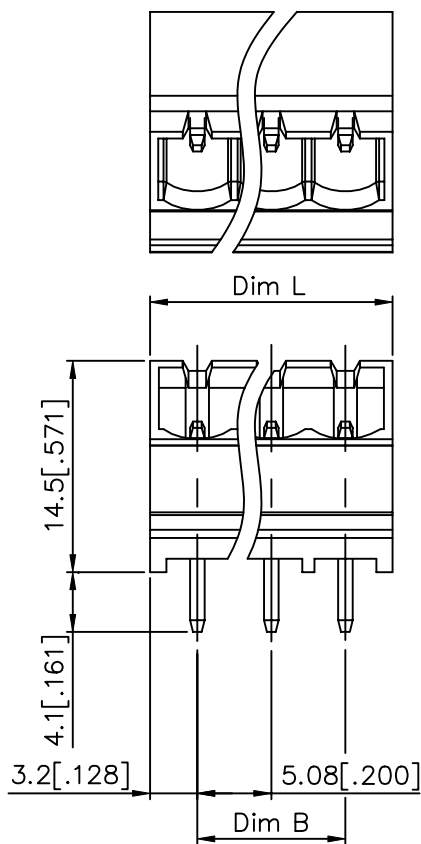


POLE	<del>1</del>	2	3	4	5	6	7	8
DIM.L	<del>11.4[.449]</del>	11.4[.449]	16.4[.645]	21.4[.842]	26.4[1.039]	31.4[1.236]	36.4[1.433]	41.4[1.630]
DIM.B	<del>5.0[.196]</del>	5.0[.196]	10.0[.394]	15.0[.590]	20.0[.787]	25.0[.984]	30.0[1.181]	35.0[1.377]
Tol.		±0.15[.006]						±0.25[.010]
POLE	9	10	11	12	13	14	15	16
DIM.L	46.4[1.827]	51.4[2.024]	56.4[2.220]	61.4[2.417]	66.4[2.614]	71.4[2.811]	76.4[3.008]	81.4[3.205]
DIM.B	40.0[1.574]	45.0[1.771]	50.0[1.968]	55.0[2.165]	60.0[2.362]	65.0[2.559]	70.0[2.755]	75.0[2.952]
Tol.	±0.25[.010]				±0.30[.012]			
POLE	17	18	19	20	21	22	23	24
DIM.L	86.4[3.402]	91.4[3.598]	96.4[3.795]	101.4[3.992]	106.4[4.189]	111.4[4.386]	116.4[4.583]	121.4[4.780]
DIM.B	80.0[3.149]	85.0[3.346]	90.0[3.543]	95.0[3.74]	100.0[3.937]	105.0[4.133]	110.0[4.330]	115.0[4.527]
Tol.	±0.30[.012]			±0.40[.016]				

mat'l. code		surface ASME Y14.5 ✓	tolerance ASME Y14.5	projection 	product family TERMINAL BLOCK
ltr	ecn no	dr	date	tolerances unless otherwise specified	title
c				angles X±0.5	TERMINAL BLOCK PLUGGABLE SIGNAL, SOCKET 45° ANGLE
				lines X.X±0.3	
				X*±1*	scale MM [INCH]
		dr	WENDY CHEN	062310	dwg no
		enr	JASON HSU	062310	sheet 4 of 5
		chr	GARY HSIEH	062310	20020130
		appd	JOSEPH HSIA	062310	A4
sheet index	revision sheet				type CUSTOMER Drawing



PRODUCT NUMBER	SERIES NAME	PITCH
20020130-HXXXXXLF	30-508	5.08 mm



PCB LAYOUT

A

POLE		2	3	4	5	6	7	8
DIM.L		11.56[.455]	16.64[.655]	21.72[.855]	26.8[1.055]	31.88[1.255]	36.96[1.455]	42.04[1.655]
DIM.B		5.08[.200]	10.16[.400]	15.24[.600]	20.32[.800]	25.4[1.000]	30.48[1.200]	35.56[1.400]
Tol.		±0.15[.006]						±0.25[.010]
POLE	9	10	11	12	13	14	15	16
DIM.L	47.12[1.855]	52.2[2.055]	57.28[2.255]	62.36[2.455]	67.44[2.655]	72.52[2.855]	77.6[3.055]	82.68[3.255]
DIM.B	40.64[1.600]	45.72[1.800]	50.8[2.000]	55.88[2.200]	60.96[2.400]	66.04[2.600]	71.12[2.800]	76.2[3.000]
Tol.	±0.25[.010]				±0.30[.012]			
POLE	17	18	19	20	21	22	23	24
DIM.L	87.76[3.455]	92.84[3.655]	97.92[3.855]	103.0[4.055]	108.08[4.255]	113.16[4.455]	118.24[4.655]	123.32[4.855]
DIM.B	81.28[3.200]	86.36[3.400]	91.44[3.600]	96.52[3.800]	101.6[4.000]	106.68[4.200]	111.76[4.400]	116.84[4.600]
Tol.	±0.30[.012]				±0.40[.016]			

mat'l. code		surface ASME Y14.5 ✓	tolerance ASME Y14.5	projection 	product family TERMINAL BLOCK
ltr	ecn no	dr	date	tolerances unless otherwise specified	title
c				angles X±1°	TERMINAL BLOCK PLUGGABLE SIGNAL, SOCKET 45° ANGLE
				tolerance X.X±0.5 X.X±0.3 X.XX±0.1	MM [INCH]
				scale	scale
		dr	WENDY CHEN	062310	dwg no
		enr	JASON HSU	062310	sheet 5 of 5
		chr	GARY HSIEH	062310	20020130
		appd	JOSEPH HSIA	062310	A4
sheet index	revision sheet				type CUSTOMER Drawing

B

## X-ON Electronics

Largest Supplier of Electrical and Electronic Components

*Click to view similar products for [Amphenol manufacturer](#):*

Other Similar products are found below :

[PT01SE-16-8P\(476\)](#) [EN2997SE01006MN](#) [CTV06RW-11-2JB-LC](#) [JTPQ00RT-16-35P\(453\)](#) [MS3106B18-11PX](#) [GTS030-18-11S-116](#) [10-507142-843](#) [D38999/26JD19SALC](#) [D38999/26JD18PA](#) [JT07RT-22-35P](#) [D38999/26JD18SALC](#) [D38999/26JD18JA](#) [18-428](#) [JT07RT-22-35PC](#) [PT02E8-2S-072](#) [GTS06-14S-9SZ-025](#) [97-3102A22-10SW-958](#) [97-3102A22-10SX-958](#) [97-3102A22-10SY-958](#) [97-3102A22-5SW-959](#) [97-3102A22-5SX-959](#) [TVS06RF-17-35AD](#) [MS27468E25F43S](#) [97-3101A14S-9PX-959](#) [97-3101A14S-9PW-959](#) [JT07RT-8-35S](#) [MS27468E15F19PLC](#) [D38999/26JD35JA](#) [GTC030-28-21P-025-A31](#) [AIB2-22-14SC-072](#) [AIB2-22-22SC-RDS-072](#) [TVPS00RK-11-2AC](#) [AIB2-22-22PC-072](#) [100-007-213-002-001](#) [MS3108B28-15PY](#) [JT07RT-22-14PB-453](#) [GTS00AF28-7S](#) [2M801-010-01M16-5SA](#) [TV07DZ-23-151S-S1](#) [TV07DZ-23-151S-S1AD](#) [TVS06RF-21-79S\(LC\)](#) [TVS07RF-21-79S\(LC\)](#) [GTS00A-28-84S](#) [PT03SE-14-12PLC](#) [GTCL01-24-2SW-025-B30](#) [AIB30-14S-5SC-L](#) [AIB30-14S-5SXC-L](#) [97-3108A14S-5PX](#) [TVS07RF-19-11BB](#) [CTVS06RF-17-6BB](#)