

ISQ Series



- Single Output
- SMD Package
- Industry Standard Pinout
- 6000 VDC Isolation
- -40 °C to +85 °C Operation
- MTBF >3.5 Mhrs
- 3 Year Warranty

Specification

Input

- Input Voltage Range • Nominal $\pm 10\%$
 Input Reverse Voltage Protection • None

Output

- Output Voltage • See table
 Minimum Load • $10\%^{(1)}$
 Line Regulation • $1.2\%/1\% \Delta V_{in}$
 Load Regulation • 7.5% max for a 10-100% load change
 Setpoint Accuracy • 100-110% of nominal at 10% load
 Ripple & Noise • 200 mV pk-pk 20 MHz bandwidth
 Temperature Coefficient • $0.03\%/^{\circ}\text{C}$
 Short Circuit Protection • Continuous, automatic recovery

General

- Efficiency • See table
 Isolation Voltage • 6000 VDC
 Isolation Resistance • $10^9 \Omega$
 Isolation Capacitance • 10 pF typical
 Switching Frequency • 50 kHz at nominal input, full load
 MTBF • >3.5 Mhrs to MIL-HDBK-217F at 25 °C, GB

Environmental

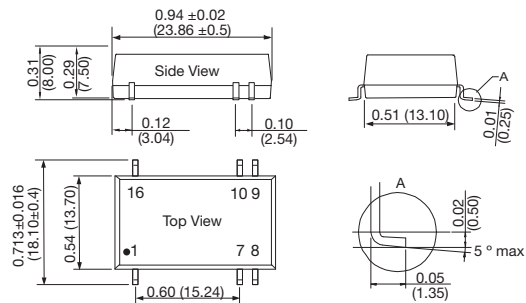
- Operating Temperature • -40 °C to +85 °C
 Storage Temperature • -55 °C to +125 °C
 Case Temperature • 105 °C max
 Cooling • Convection-cooled
 Lead Temperature • 260 °C, 0.06 in (1.5 mm) from case, 10 s

Notes

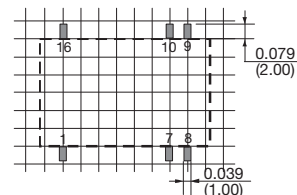
1. Operation at no load will not damage device but may not meet all specifications.

Input Voltage	Output Voltage	Output Current	Efficiency (typ)	Model Number
5 VDC	5.0 V	400 mA	76%	ISQ0505A
12 VDC	5.0 V	400 mA	76%	ISQ1205A
	15.0 V	133 mA	79%	ISQ1215A
24 VDC	5.0 V	400 mA	77%	ISQ2405A
	12.0 V	167 mA	80%	ISQ2412A
	15.0 V	133 mA	78%	ISQ2415A

Mechanical Details



Recommended footprint
 Top view grid: 0.1 x 0.1 in (2.54 x 2.54 mm)



Pin	Function
1	-Vin
7	N.C.
8	N.C.
9	+Vo
10	-Vo
16	+Vin

N.C. Not connected

Notes

1. All dimensions in inches (mm)
 2. Tolerance: ± 0.010 (± 0.25)
 3. Weight: 0.008 lbs (3.8 g)
 4. Pin tolerance: ± 0.004 (± 0.10 mm)

X-ON Electronics

Largest Supplier of Electrical and Electronic Components

Click to view similar products for [XP Power](#) manufacturer:

Other Similar products are found below :

[E70](#) [IMA0105S3V3](#) [JCD0605S05](#) [DLE45PS36](#) [ECE60US09](#) [EML15US24-E](#) [IL0503S](#) [ITV2405SA](#) [JCD0412D05](#) [JCK1524D05](#)
[SDH400PD1224](#) [SMH600PD1224-EF](#) [GSP500PS48-EF](#) [RDD0824D15](#) [MHP1000PS24](#) [JCA0305S15](#) [JCA0605S03](#) [JCD0424S15](#)
[JCG1212S05](#) [JCK2012S15](#) [JCK6048S12](#) [DLG75PS36](#) [A025P-5](#) [JTL6048S12](#) [JTC0648D03](#) [ACS40-60](#) [LOOM](#) [JCK3048S05](#) [JCG1512D15](#)
[IEQ0524S3V3](#) [AH05P-5](#) [EMH350PS48](#) [MTC3528S12](#) [ECM100US07](#) [A12N-5](#) [SDS120PT07B](#) [C06N](#) [HDS3000PS30](#) [HDS1500PS30](#)
[IT4812SA](#) [IT4812S](#) [IT4803SA](#) [LDU4860S250-WD](#) [ISE2405A](#) [EML30US09-P](#) [EML15US05-P](#) [ECL15US24-T](#) [ECL15UD01-T](#)
[SHP350PS28](#) [Q60N-5](#) [Q20N-5](#)