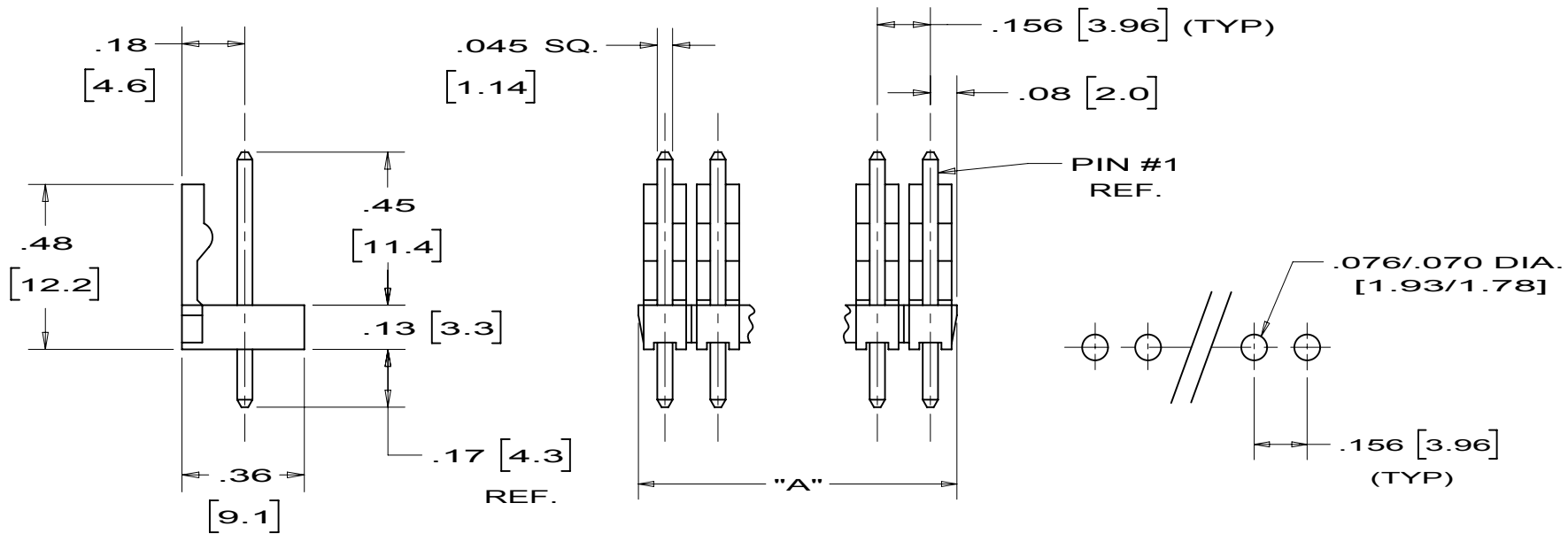


THIS COPY IS PROVIDED ON A RESTRICTED BASIS AND IS NOT TO BE USED IN ANY WAY DETRIMENTAL TO THE INTERESTS OF PANCON.



RECOMMENDED P.C. BOARD LAYOUT

NOTES:

- * 1. SEE CURRENT PRICE SHEET FOR PART NUMBER SUFFIX DESIGNATION FOR PACKAGE SIZE
- 2. POST MATERIAL: BRASS ALLOY; BRIGHT ACID TIN OVER NICKEL PLATING
- 3. WAFER MATERIAL: THERMOPLASTIC, U.L. 94V-0
- 4. ALL DIMENSIONS ARE SHOWN IN INCHES AND [MILLIMETERS]
- 5. FOR 15 MICRINCH GOLD OVER NICKEL OR GOLD FLASH OVER PALLADIUM NICKEL, ADD THE "B" SUFFIX TO THE PART NUMBER

U.L. RECOGNIZED FILE #E73711

CAD NO. KA-10056, LAYER 1



Bolingbrook, Illinois

MAS-CON[®], .156" LOCKING HEADER WITH SQUARE STRAIGHT PINS

UNLESS OTHERWISE SPECIFIED, DIMENSIONAL TOLERANCES ARE:
 (.X) ± (.XXX) ± .005(.13)
 (.XX) ± .02(ANGLES) ±

UNLESS OTHERWISE SPECIFIED, ALL DIMENSIONS ARE GIVEN IN INCHES.
 THIRD ANGLE PROJECTION.
 SCALE

DRAWN BY
JEP

MAT'L
SEE NOTES

DATE
4-7-88

DRAWING NO.
KA-10056

CHK'D
WJH

SHT 1 OF 2
A
 SIZE

REV	DATE	BY	CHK	DESCRIPTION	CN - R	CUST	SUP
6	6/28/10	SHC		ADDED PDNI PLATING ALTERNATIVE			

THIS COPY IS PROVIDED ON A RESTRICTED BASIS AND IS NOT TO BE USED IN ANY WAY DETRIMENTAL TO THE INTERESTS OF PANCON.

* PART NO.	# OF CKTS	DIM. A IN. (MM)	WT./ 100 PCS LBS. (GRAMS)
MLSS156-2	2	.31 (7.9)	.16 (72)
MLSS156-3	3	.47 (11.9)	.24 (109)
MLSS156-4	4	.62 (15.8)	.32 (145)
MLSS156-5	5	.78 (19.8)	.40 (181)
MLSS156-6	6	.94 (23.8)	.48 (217)
MLSS156-7	7	1.09 (27.7)	.56 (254)
MLSS156-8	8	1.25 (31.7)	.64 (291)
MLSS156-9	9	1.40 (35.7)	.72 (327)
MLSS156-10	10	1.56 (39.6)	.80 (363)
MLSS156-11	11	1.72 (43.6)	.88 (400)
MLSS156-12	12	1.87 (47.5)	.96 (436)

* PART NO.	# OF CKTS	DIM. A IN. (MM)	WT./ 100 PCS LBS. (GRAMS)
MLSS156-13	13	2.03 (51.5)	1.04 (472)
MLSS156-14	14	2.18 (55.5)	1.12 (509)
MLSS156-15	15	2.34 (59.4)	1.20 (545)
MLSS156-16	16	2.50 (63.4)	1.28 (582)
MLSS156-17	17	2.65 (67.4)	1.36 (618)
MLSS156-18	18	2.81 (71.3)	1.44 (654)
MLSS156-19	19	2.96 (75.3)	1.52 (691)
MLSS156-20	20	3.12 (79.2)	1.60 (727)
MLSS156-21	21	3.28 (83.2)	1.68 (763)
MLSS156-22	22	3.43 (87.2)	1.76 (800)
MLSS156-23	23	3.59 (91.1)	1.84 (836)
MLSS156-24	24	3.74 (95.1)	1.92 (872)

*SEE NOTE #1

U.L. RECOGNIZED FILE #E73711



										 www.pancon.de / GERMANY www.panconconnectors.com / USA		Bolingbrook, Illinois	
										MAS-CON[®], .156" LOCKING HEADER WITH SQUARE STRAIGHT PINS			
										UNLESS OTHERWISE SPECIFIED, DIMENSIONAL TOLERANCES ARE: (.X) ± (.XXX) ± .005(.13) (.XX) ± .02(AN) ANGLES ±		UNLESS OTHERWISE SPECIFIED, ALL DIMENSIONS ARE GIVEN IN INCHES. THIRD ANGLE PROJECTION.	
										DRAWN BY JEP		SCALE 2:1	
										DATE 4-7-88		SEE NOTES	
										CHK'D WJH			
6				ADDED PDNI PLATING ALTERNATIVE							DRAWING NO. KA-10056	DWG. A	
REV	DATE	BY	CHK	DESCRIPTION				CN - R	CUST	SUP		SHT 2 OF 2	SIZE

X-ON Electronics

Largest Supplier of Electrical and Electronic Components

Click to view similar products for [Standard Card Edge Connectors](#) category:

Click to view products by [Pancon](#) manufacturer:

Other Similar products are found below :

[6565204-6](#) [1489165-4](#) [EBT156-12B1X](#) [EBT15622B2X](#) [EBT156-22R2W](#) [1-582587-1](#) [1-582589-1](#) [284-0102-12100](#) [306022901000000](#) [307-012-502-202](#) [307-024-526-201](#) [307-056-520-300](#) [307-080-526-208](#) [1926088-2](#) [245-062-520-350](#) [287-0032-12101](#) [306-010-500-112](#) [306-028-525-102](#) [306-240-318](#) [307-036-502-202](#) [307-036-521-301](#) [307-072-526-202](#) [345-060-559-303](#) [368-004-520-201](#) [392-008-559-201](#) [534671-1](#) [5-530501-5](#) [341-240-317](#) [345-029-520-300](#) [345-030-500-301](#) [345-044-500-300](#) [345-220-058](#) [346-240-318](#) [357-030-526-201](#) [387-012-523-300](#) [395-100-524-300](#) [50-12B-10](#) [50-6SN-5](#) [09-07-2032](#) [10035388-106LF](#) [10035388-802LF](#) [10115859-011LF](#) [10122859-009LF](#) [101269333204245CLF](#) [10127905-B04B24BLF](#) [530555-1](#) [EB63-S0C3540X](#) [5145409-2](#) [2007209-1](#) [0458440005](#)