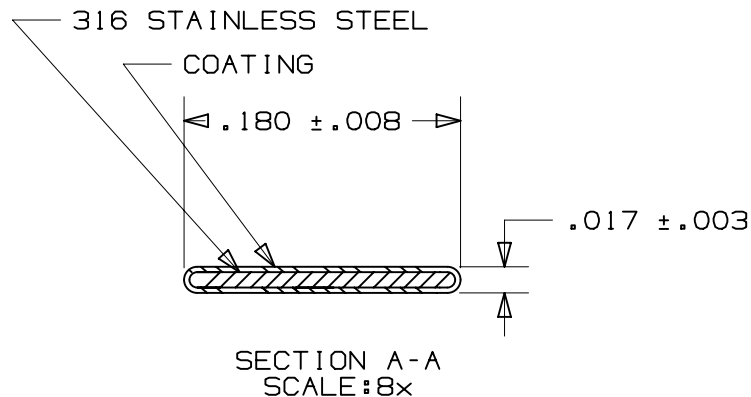
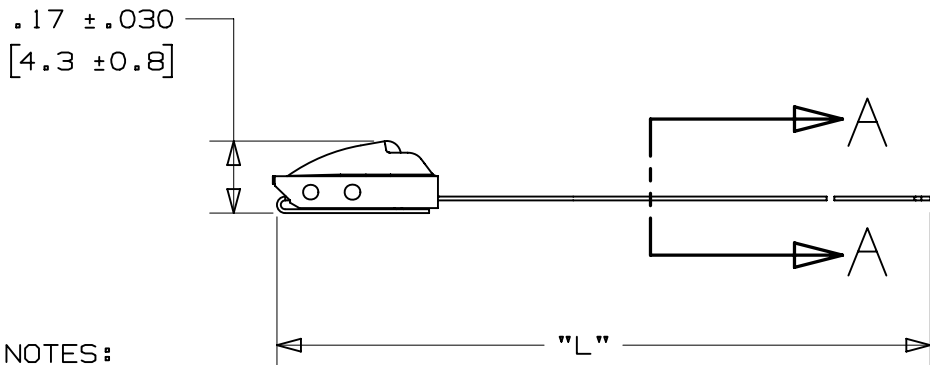
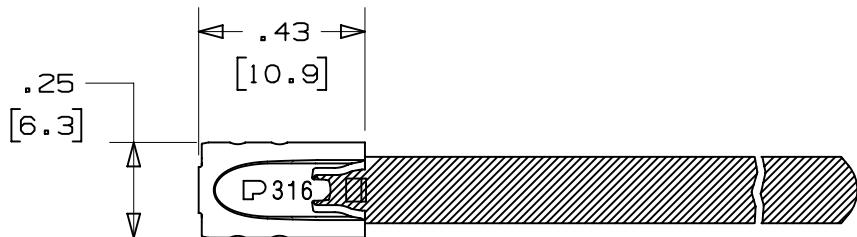


THIS COPY IS PROVIDED ON A RESTRICTED BASIS AND IS NOT TO BE USED IN ANY WAY DETRIMENTAL TO THE INTERESTS OF PANDUIT CORP.



NOTES:

- 1.) APPLICATION TOOLS - GS4MT, PPTMT, ST2MT, ST3MT, HTMT
- 2.) MINIMUM LOOP TENSILE STRENGTH - 100 LBS. (445 NEWTONS) WHEN TESTED ON A 1.5" MANDREL.
- 3.) BRACKETS [] DENOTES DIMENSION IN MILLIMETERS, AND ARE FOR REFERENCE ONLY
- 4.) TOLERANCES:
 - .XXX = ±.010 [.25]
 - .XX = ±.02 [.5]
 - .X = ±.03 [.8]
 - ANGLES = ±2°
- 5.) MATERIAL: 316 STAINLESS STEEL
- 6.) COATING - POLYESTER
COATING THICKNESS: .002 MIN./ .005 MAX. PER SIDE

PANDUIT PART NO.	MAX BUNDLE DIA.	PACKAGE QTY	LENGTH L ±.3 [7]
MLTFC1.5S-CP316	1.5" [38]	100	6.2" [157]
MLTFC2.5S-CP316	2.5" [64]	100	9.2" [234]
MLTFC3.4S-CP316	3.4" [86]	100	12.2" [310]
MLTFC5.4S-CP316	5.4" [137]	100	18.2" [462]

TITLE		METAL LOCKING TIE - COATED STANDARD SERIES	
CUSTOMER DRAWING		PANDUIT	
ITEM REVISION NAME	N41273BS/02		
DATASET FILE NAME	N41273BS/02	MATERIAL: 316 STAINLESS STEEL	
UNLESS OTHERWISE SPECIFIED, DIMENSIONAL TOLERANCES ARE: IN [mm]		DRAWING NUMBER: N41273BS_DC	
.x ± .1 [2.54] .xxx ± .005 [.127] .xx ± .01 [.25] ANGLES ± 5 °		THIRD ANGLE PROJECTION	
DRAWN BY	DATE	CHK	SCALE
JAMB	02.24.15	EJD	2:1
REV	DATE	BY	CHK
02	02.24.15	BDK	SKB
DESCRIPTION		APR	ECN
UPDATED TITLE BLOCK AND BORDER			N41273BS_DC
SHT 1 OF 1		A	

D10100DA/16

X-ON Electronics

Largest Supplier of Electrical and Electronic Components

Click to view similar products for [Cable Ties](#) category:

Click to view products by [Panduit](#) manufacturer:

Other Similar products are found below :

[20093-0](#) [SJ-3463](#) [SJ3518FR-1x50](#) [SJ3526N-Beige-2"x50yd](#) [SJ3526N BLACK 58" X 50YD](#) [SJ3571](#) [SJ-3571-1"x50yd-Black](#) [20113-0](#)
[T56137](#) [3-350087-0](#) [CTB75X75BKA-C](#) [3722](#) [561-B110120](#) [561-EZAB580T](#) [561-EZS375B40](#) [561-N3510](#) [561-TA250125](#) [08350-0](#) [08443-0](#)
[08600-0](#) [10035-0](#) [10036-0](#) [10037-0](#) [10325-0](#) [10362-0](#) [10606-0](#) [561-EZ250](#) [561-EZ500](#) [561-EZ625](#) [561-EZ750](#) [561-TA00600](#) [SJ3519FR](#)
[BLACK 1X50](#) [SJ3527N-Beige-2"x50yd](#) [SJ3527N-LOOP-BLACK-1](#) [SJ3572-2"x50yd-Black](#) [157-00039](#) [3719](#) [SJ-3401 BLACK 1"](#) [08445-0](#)
[08582-0](#) [08386-0](#) [10431-0](#) [08359-0](#) [10056-0](#) [10620-0](#) [10345-0](#) [10344-0](#) [08416-0](#) [08384-0](#) [08401-0](#)