

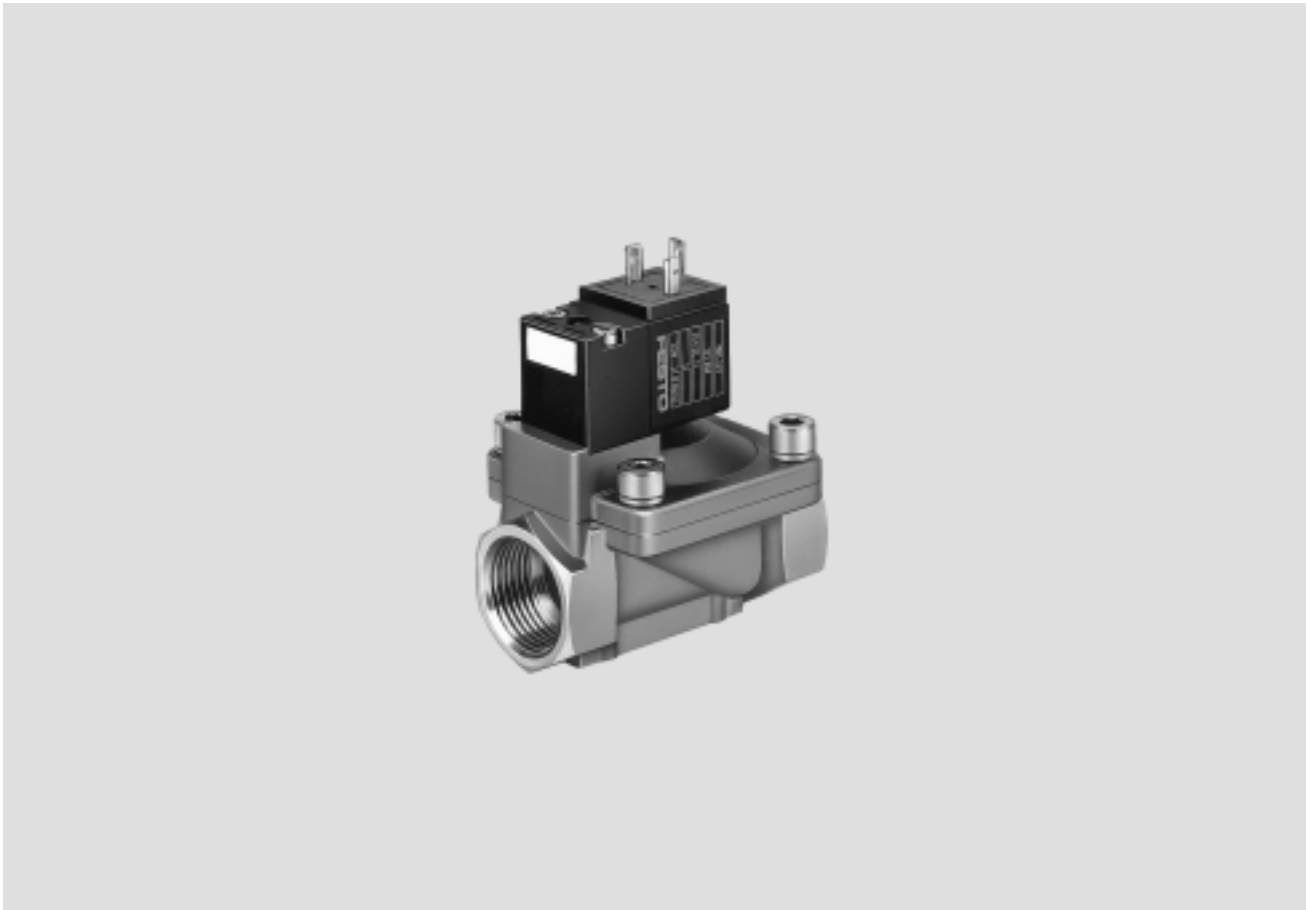
Solenoid valves MN1H-MS, brass version



Solenoid valves MN1H-MS, brass design

Key features

FESTO

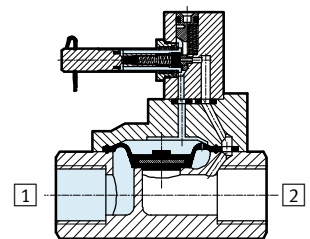


Function

When the solenoid is energised, the valve is actuated.

The valve MN1H-2-1½-MS is equipped with adjustable closing cushioning.

- 1 Supply port
- 2 Working or outlet line



-  - Note

The diaphragm opens briefly when pressure is connected.

Solenoid valves MN1H-MS, brass design

Type codes

MN1H – 2 – 1/4 – MS

Type

MN1H	Single pilot, for N1 solenoid coil
------	------------------------------------

Valve function

2	2/2-way valve
---	---------------

Connection, valve

1/4	G1/4
3/8	G3/8
1/2	G1/2
3/4	G3/4
1	G1
1 1/2	G1 1/2

Housing material

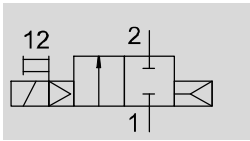
MS	Brass
----	-------


Solenoid valves MN1H-MS, brass design

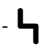
FESTO

Technical data

Function



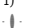
-  - Flow rate
2000 ... 30500 l/min

-  - Voltage
24 V DC
110, 230 V AC



General technical data							
Connection, valve	G1/4	G3/8	G1/2	G3/4	G1	G1 1/2	
Valve function	2/2-way, single pilot						
Constructional design	Diaphragm valve						
Sealing principle	Soft						
Actuation type	Electrical						
Type of reset	Air spring						
Type of pilot control	Piloted						
Direction of flow	Non-reversible						
Exhaust function	No flow control						
Manual override	Non-detenting, detenting via accessory						
Type of mounting	In-line installation						
Mounting position	Any						
Nominal size	[mm]	13	13	20	25	40	
Standard nominal flow rate	[l/min]	2000	2900	3100	10000	11500	30500
Product weight	[g]	450	450	400	1100	1000	2600
Materials	Housing	Brass					
	Diaphragm	Nitrile rubber					
Max. tightening torque ¹⁾	[Nm]	35	60	105	200	380	850

1) Ports 1 and 2

-  - Note: This product conforms to ISO 1179-1 and to ISO 228-1

Operating and environmental conditions	
Medium	Filtered compressed air, lubricated or unlubricated
Note about operating/pilot medium	Lubricated operation possible (subsequently required for further operation)
Medium pressure	[bar] 0.5 ... 10
Ambient temperature	[°C] -10 ... +60
Temperature of medium	[°C] -10 ... +60

Valve response times		
Connection, valve	On	Off
G1/4	30	100
G3/8	30	100
G1/2	30	100
G3/4	120	180
G1	120	180
G1 1/2	230 ... 440	300 ... 1000

Materials		
Solenoid valves		Material number
Housing	Brass	
Screws	High-alloy stainless steel	1.4301

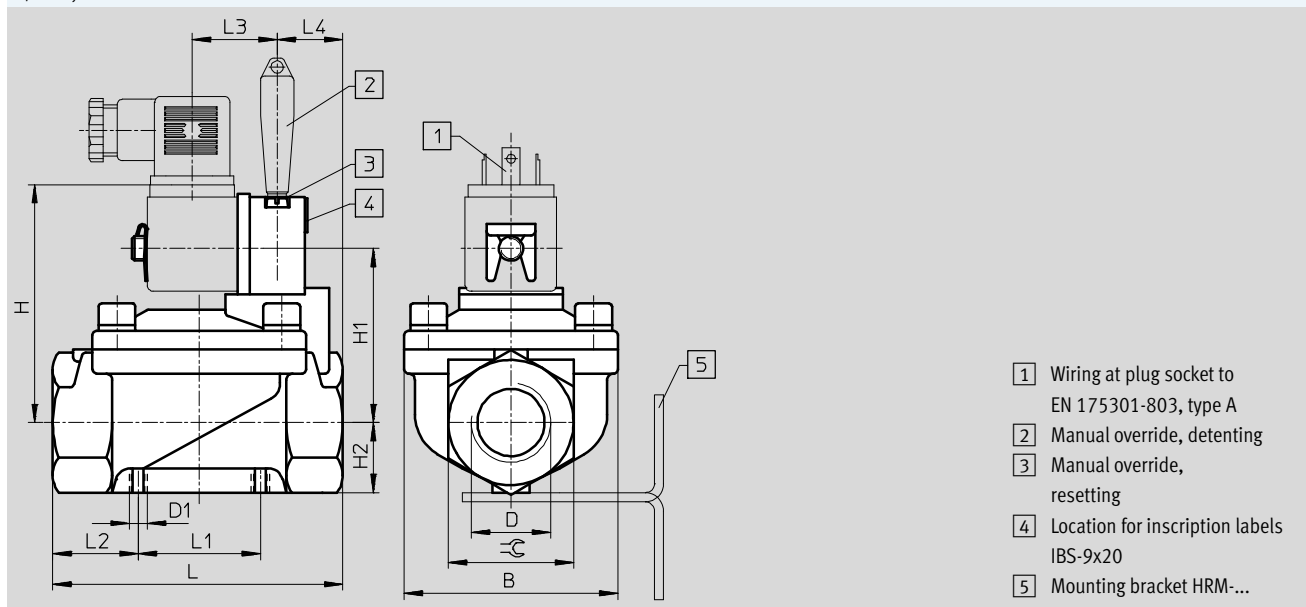
Solenoid valves MN1H-MS, brass design

Technical data

Electrical data			
N1 solenoid coil			
Electrical connection		Plug, square design to EN 175301-803, type A	
Operating voltage	D.C. voltage	[V DC]	24
	A.C. voltage	[V AC]	110/230 (50 ... 60 Hz)
Coil characteristics	D.C. voltage	[W]	2.5
	A.C. voltage	[VA]	Pull: 5 Hold: 3.7
Protection class to EN 60 529		IP65 (with plug socket)	

Dimensions Download CAD data → www.festo.com

2/2-way valve



- 1 Wiring at plug socket to EN 175301-803, type A
- 2 Manual override, detenting
- 3 Manual override, resetting
- 4 Location for inscription labels IBS-9x20
- 5 Mounting bracket HRM-...

Connection, valve D	B	D1	H	H1	H2	L	L1	L2	L3	L4	∅C
G¼	48	M4	67	46	15	67	25	21	26.5	20	27
G¾	48	M4	67	46	15	67	25	21	26.5	20	27
G½	48	M4	67	46	15	67	25	21	26.5	20	27
G¾	70	M6	78	57	23	95	40	27.5	26.5	21.5	41
G1	70	M6	78	57	23	95	40	27.5	26.5	21.5	41
G1½	96	M6	91.5	70.5	31.5	140	59.5	38.3	26.5	30	58

Note: This product conforms to ISO 1179-1 and to ISO 228-1

Ordering data

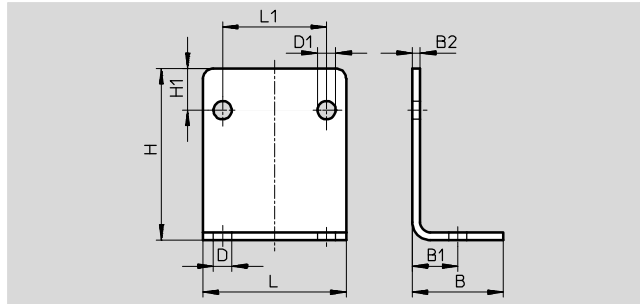
Circuit symbol	Pneumatic connection	Part No.	Type
	G¼	161725	MN1H-2-¼-MS
	G¾	161727	MN1H-2-¾-MS
	G½	161728	MN1H-2-½-MS
	G¾	161731	MN1H-2-¾-MS
	G1	161732	MN1H-2-1-MS
	G1½	161734	MN1H-2-1½-MS

Solenoid valves MN1H-MS, brass design

Accessories

Mounting bracket HRM

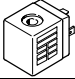
Material:
Galvanised steel

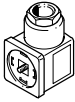
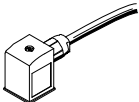
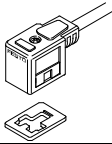



Dimensions and ordering data												
For valve with pneumatic connection	B	B1	B2	D Ø	D1 Ø	H	H1	L	L1	Weight [g]	Part No.	Type
G $\frac{1}{4}$... G $\frac{1}{2}$	25	12.5	2	6	5	37	10	40	25	39	9769	HRM-1
G $\frac{3}{4}$... G1	35	17.5	3	7	7	66	16	55	40	130	9770	HRM-2
G1 $\frac{1}{2}$	47	23.5	3	9	7	87	23	75	59.5	246	9771	HRM-3


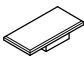
Solenoid valves MN1H-MS, brass design

Accessories

Ordering data – Solenoid coils		Technical data → Internet: msn1g	
	Voltage	Part No.	Type
	24 V DC	123060	MSN1G-24DC-OD
	110 V AC, 50 ... 60 Hz	123061	MSN1W-110AC-OD
	230 V AC, 50 ... 60 Hz	123062	MSN1W-230AC-OD

Ordering data – Plug sockets, connecting cables				Technical data → Internet: mssd-c	
	Voltage	Cable length [m]	Switching status display with LED	Part No.	Type
Plug socket without cable					
	–	–	–	34583	MSSD-C
Plug socket without cable with insulation displacement technology					
	–	–	–	192748	MSSD-C-S-M16
Connecting cables					
	24 V DC	2.5	■	30931	KMC-1-24DC-2,5-LED
	24 V DC	5	■	30933	KMC-1-24DC-5-LED
	24 V DC	10	■	193459	KMC-1-24DC-10-LED
	Up to 230 V	2.5	–	30932	KMC-1-230AC-2,5
	Up to 230 V	5	–	30934	KMC-1-230AC-5

Ordering data – Illuminating seal		Technical data → Internet: mc-ld	
	Voltage	Part No.	Type
	12 ... 24 V DC	19145	MC-LD-12-24DC
	230 V DC/V AC	19146	MC-LD-230AC

Ordering data – General accessories			
		Part No.	Type
Manual override tool			
	For N1 coils	157651	AHB-MD/MF/MW
Inscription labels			
	Scope of delivery 20 labels in frame	18182	IBS-9x20

X-ON Electronics

Largest Supplier of Electrical and Electronic Components

Click to view similar products for [Other Tools](#) category:

Click to view products by [Festo](#) manufacturer:

Other Similar products are found below :

[CR-05FL7--150R](#) [CR-05FL7--698K](#) [899-2-KT46](#) [899-5-KT46](#) [CR-0AFL4--332K](#) [CR-12FP4--260R](#) [5718X-01PD-19RO](#)
[CRCW04021100FRT7](#) [CRCW04021961FRT7](#) [5800-0090](#) [CRCW04024021FRT7](#) [CRCW040254R9FRT7](#) [CRCW0603102JRT5](#) [59065-5](#) [00-8273-RDPP](#) [00-8729-WHPP](#) [593033](#) [593058](#) [593072](#) [593564100](#) [593575](#) [593591](#) [593593](#) [LTLA506SBLAMNBL](#) [CRCW08052740FRT1](#)
[LUC-012S070DSM](#) [LUC-018S070DSP](#) [599-2021-3-NME](#) [599-JJ-2021-03](#) [00-5080-YWPP](#) [5E4750/01-20R0-T/R](#) [LW1A-L1-GD](#) [LW1A-L1-GL](#) [LW1A-P1-GD](#) [LW1L-A1C10V-GL](#) [LW1L-M1C70-A](#) [0202-0173](#) [00-9089-RDPP](#) [CRCW2010331JR02](#) [01-1003W-8/32-10](#) [601-GP-08-KT39](#) [601-JJ-06](#) [601-SPB](#) [601YSY](#) [602-JJ-03](#) [602SPB](#) [602Z](#) [603-JJ-07-FP](#) [603-JJY-04](#) [604J](#)