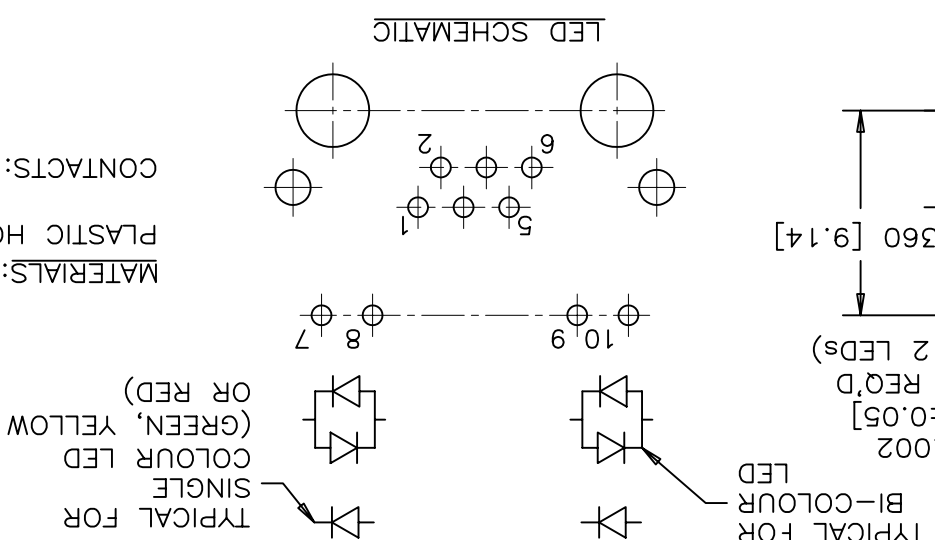
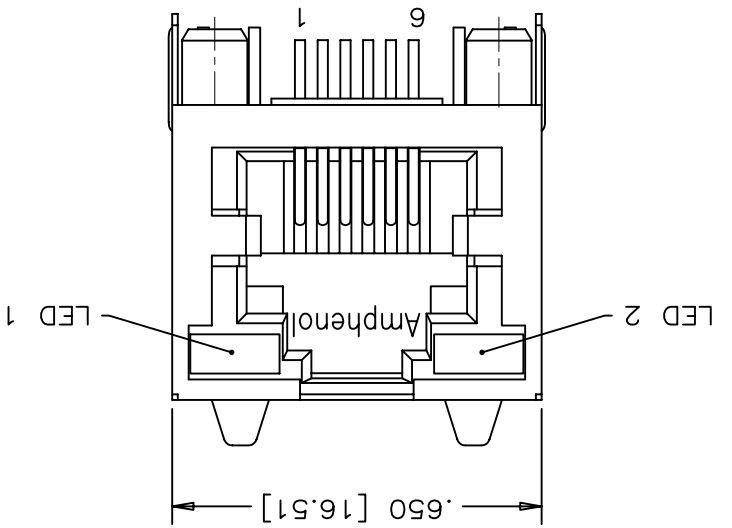
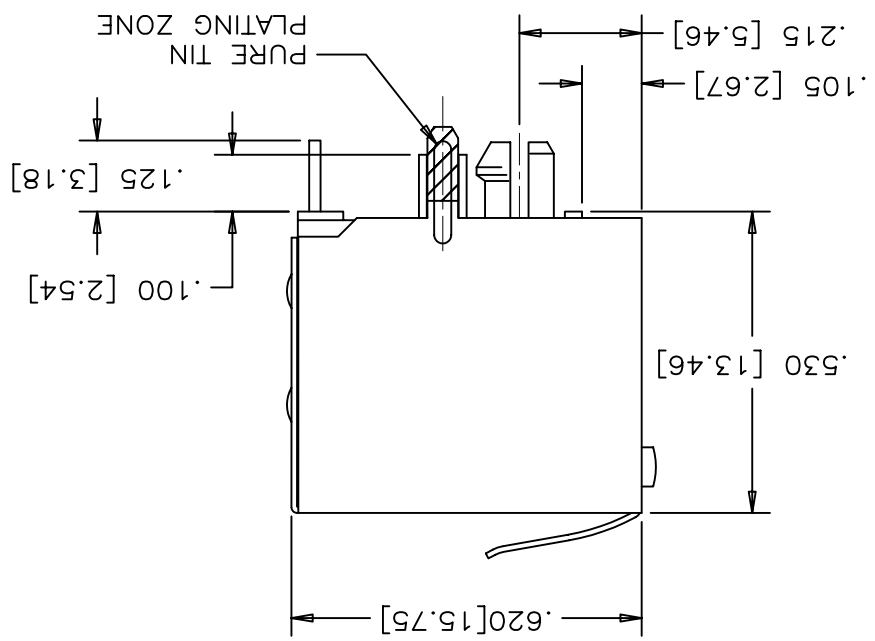
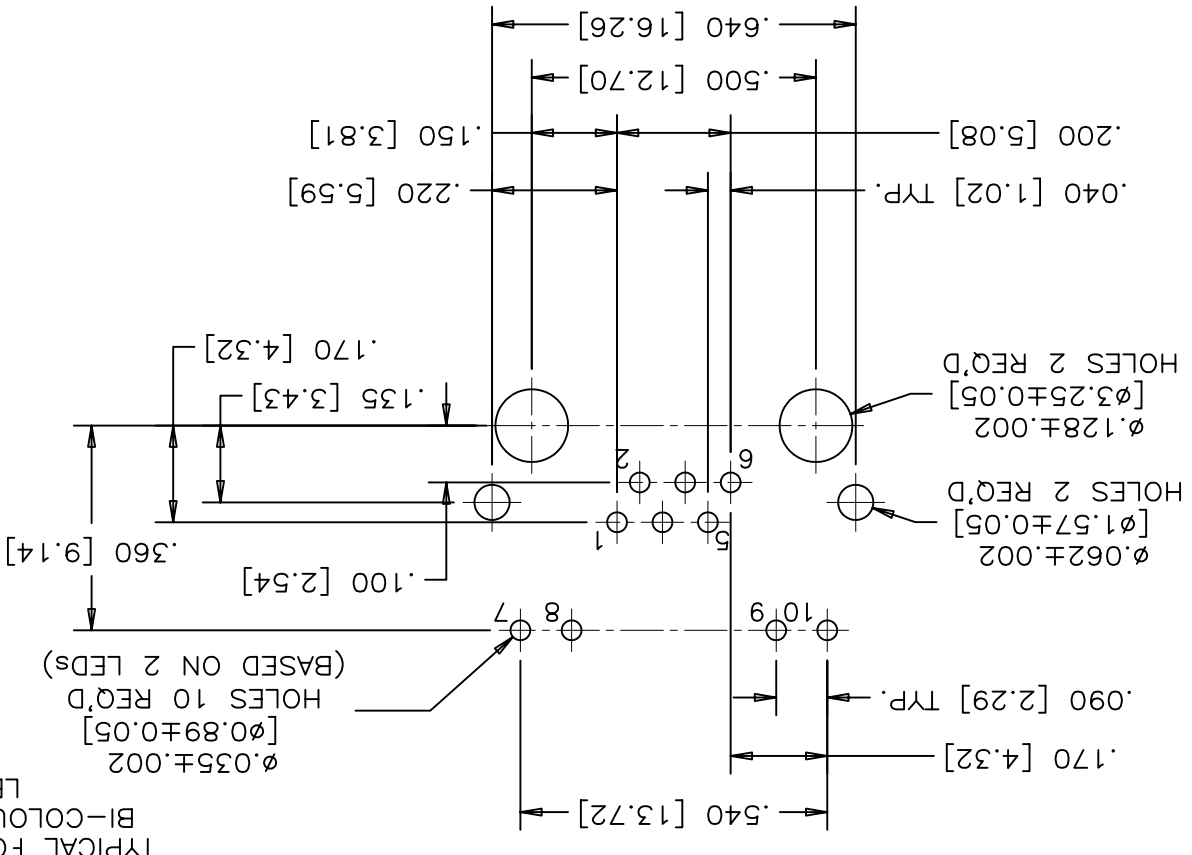


THIS DOCUMENT CONTAINS PROPRIETARY INFORMATION AND SUCH INFORMATION MAY NOT BE DISCLOSED TO OTHERS FOR ANY PURPOSE OR USED FOR MANUFACTURING PURPOSES WITHOUT WRITTEN PERMISSION FROM AMPHENOL CANADA CORP.

RECOMMENDED P.C.B. LAYOUT  
(COMPONENT SIDE OF BOARD)



MATERIALS:  
PLASTIC HOUSING: HIGH TEMPERATURE THERMOPLASTIC  
FLAMMABILITY RATING UL 94V-0  
PHOSPHOR BRONZE  
PLATING: 50  $\mu$ " [1.27 MICRONS]  
MIN. GOLD ON MATING SURFACES.  
50  $\mu$ " [1.27 MICRONS]  
MIN. NICKEL UNDERPLATE  
100  $\mu$ " [2.54 MICRONS]  
MIN. MATTE TIN ON CONTACT TAILS.  
COPPER ALLOY  
PLATING: NICKEL WITH PURE TIN DIPPED TAIL.

SHIELD:

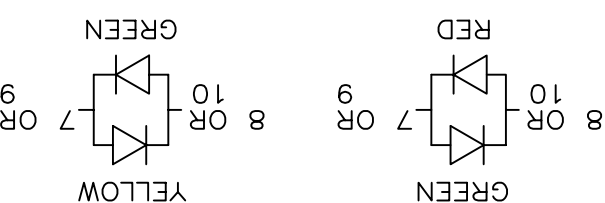
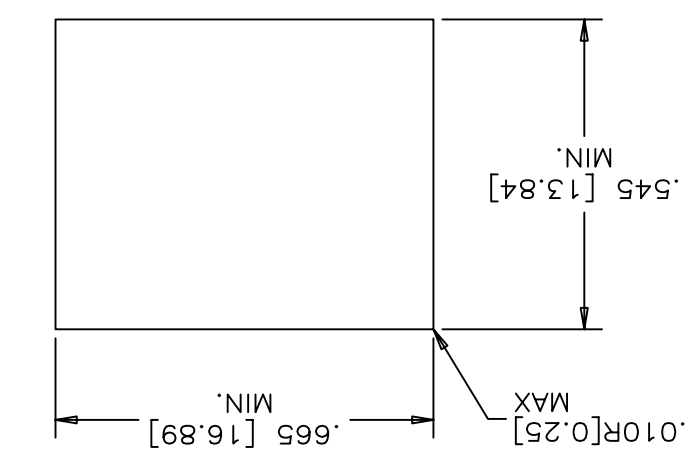
PART NUMBER: RJHSE-736X

REFER TO LED OPTIONS DRAWING FOR ORDERING CODES

DATE	05/12/14	DRAWN	PAULW
DESIGNED			
CHECKED	CHIGOW	05/12/14	
I. E. APPRD.			
Q. A. APPRD.			
DWG. APPRD.			
REF.			
ENG. REL. NO.			
DWG. NO.			
DWG. DRAWING NO.			
REV.	A		
TITLE	HIGH SPEED MODULAR JACK, 6 POSITIONS, 6 STAMPED CONTACTS, SHIELDED, WITH LED'S - ROHS COMPLIANT		
SCALE	INCHES [mm] 03554		
WT.			
SURF.			
SHEET	1 OF 1		

Amphenol Canada Corp.

RECOMMENDED PANEL CUTOUT



REVISIONS	
SYM ZONE	ECN, ERN NO.
A	PROPOSAL
DATE	05/12/14
APPRD.	L.CHAN

THIS DOCUMENT CONTAINS PROPRIETARY INFORMATION AND SUCH INFORMATION MAY NOT BE DISCLOSED TO OTHERS FOR ANY PURPOSE OR USED FOR MANUFACTURING PURPOSES WITHOUT WRITTEN PERMISSION FROM AMPHENOL CANADA CORP.

REV. A	DWG. NO.	DRAWING NO.	P-RJHSE-LEDS
SCALE	WT.	SURF.	SHEET 1 OF 1
DATE	SEP21/04	DRAWN K. LAMBIE	DESIGNED
CODE ID. NO.	03554	INCHES [mm]	DIMENSIONS ARE IN
REF. EAR 12481			
ENG. REL. NO.			
DWG. APPRD.			
I. E. APPRD.			
Q. A. APPRD.			
CHECKED			
DESIGNED			
TITLED LED OPTIONS FOR RJHSE, SINGLE OR MULTI-PORT CONNECTORS - ROHS COMPLIANT			

CODE	LED 2 (LEFT)	LED 1 (RIGHT)	CODE	LED 2 (LEFT)	LED 1 (RIGHT)	CODE	LED 2 (LEFT)	LED 1 (RIGHT)
0	DO NOT USE	BLOCKED	5	YELLOW	BLOCKED	A	LOWC YE	LOWC YE
1	RED	BLOCKED	6	RED	BIC RD/GR	B	LOWC YE	LOWC GR
2	BIC GR/OR	YELLOW	7	BLOCKED	BIC RD/GR	C	LOWC GR	LOWC YE
3	YELLOW	RED	8	BLOCKED	BIC RD/GR	D	LOWC GR	LOWC GR
4	BLOCKED	RED	9	BLOCKED	BIC GR/YE	M	LOWC RD	LOWC YE

NOTE: THE TWO DIGITS PRECEDING THE ADDITIONAL LED CODE MUST BE USED IN THE PART NUMBER, WHEN ORDERING ANY OF THE ADDITIONAL LED OPTIONS.

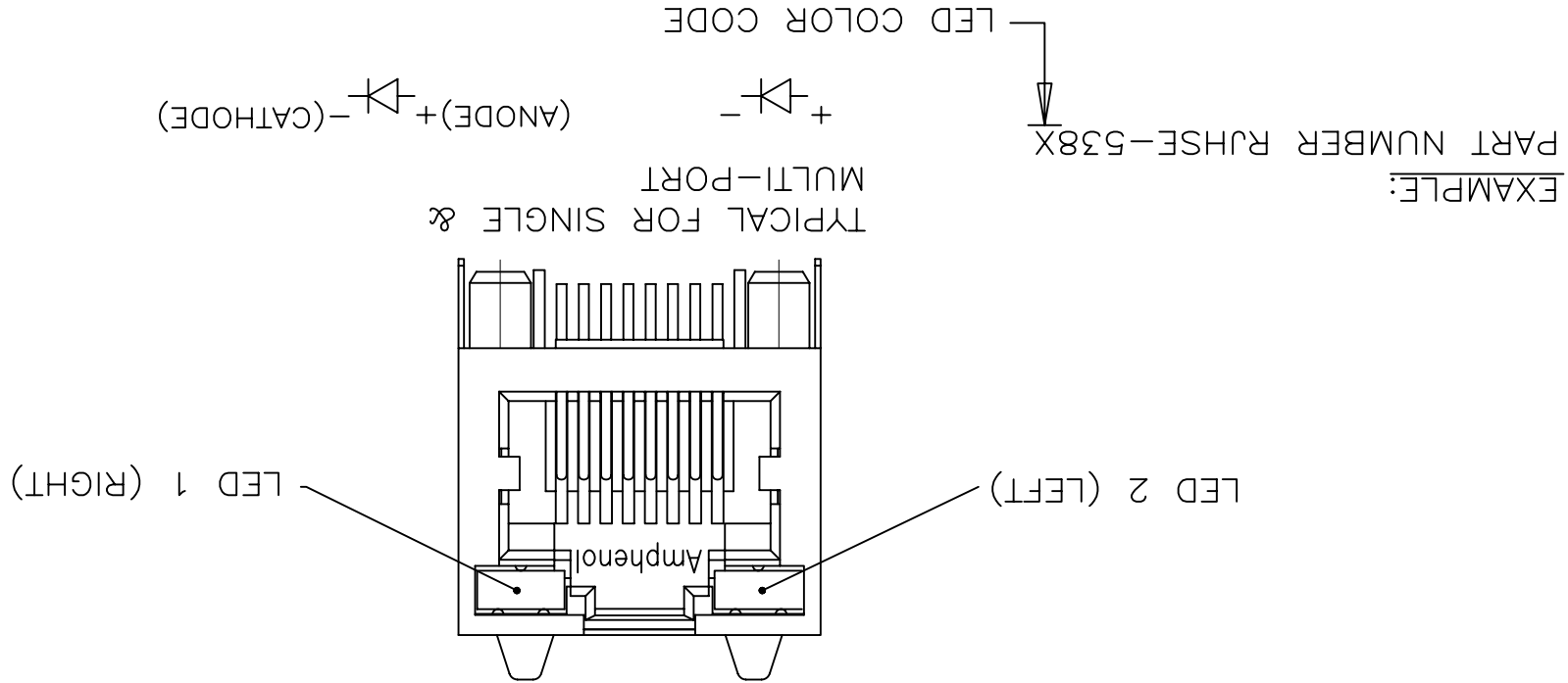
EXAMPLE OF ADDITIONAL LED OPTIONS:  
PART NUMBER RJHSE-538W-01Y

ADDITIONAL LED COLOR CODE DENOTES ADDITIONAL LED OPTIONS TO BE USED

CODE	LED 2 (LEFT)	LED 1 (RIGHT)	CODE	LED 2 (LEFT)	LED 1 (RIGHT)	CODE	LED 2 (LEFT)	LED 1 (RIGHT)
0	BLOCKED	BLOCKED	9	GREEN	BLOCKED	J	BIC RD/GR	YELLOW
1	YELLOW	GREEN	A	BIC GR/YE	BIC GR/YE	K	YELLOW	BIC GR/OR
2	BLOCKED	GREEN	B	BIC RD/GR	BIC RD/GR	L	BIC GR/YE	RED
3	YELLOW	BLOCKED	C	BIC RD/GR	BIC GR/YE	M	RED	YELLOW
4	GREEN	YELLOW	D	GREEN	BIC GR/YE	P	GREEN	BIC RD/GR
5	GREEN	GREEN	E	YELLOW	BIC GR/YE	R	BIC GR/OR	GREEN
6	YELLOW	YELLOW	F	BIC GR/YE	YELLOW	T	RED	RED
7	RED	GREEN	G	BIC GR/OR	BIC GR/OR	V	BIC RD/GR	GREEN
8	GREEN	RED	H	BIC GR/YE	GREEN	W	ADDITIONAL OPTIONS	

PRIMARY COLOR FOR BI-COLOR LEDs IN STANDARD ANODE/CATHODE CONFIGURATION IS:  
RED-GREEN = RED  
RED-YELLOW = RED  
GREEN-YELLOW = GREEN  
GREEN-ORANGE = GREEN

LEGEND  
BIC=BI-COLOR LED  
LOWC=LOW CURRENT LED  
YE=YELLOW  
GR=GREEN  
RD=RED  
OR=ORANGE



LED SPECIFICATIONS:  
FORWARD VOLTAGE: 2.1 VOLTS TYP.  
REVERSE VOLTAGE: 5.0 VOLTS MIN.  
LUMINOUS INTENSITY: 0.5 mcd MIN.  
(AT If=2mA)  
STORAGE TEMPERATURE: -20° TO 85° C  
LEAD SOLDERING TEMPERATURE: 260° C  
(5 SEC, 1/16" FROM CASE)  
PLATING ON TAILS: TIN OR TIN/COPPER  
ALLOY OVER SILVER

REVISIONS			
SYM	ZONE	ECN, ERN NO.	DATE
A		PROPOSAL	SEP21/04
			APPRD.

## X-ON Electronics

Largest Supplier of Electrical and Electronic Components

*Click to view similar products for [Modular Connectors](#) / [Ethernet Connectors](#) category:*

*Click to view products by [Amphenol](#) manufacturer:*

Other Similar products are found below :

[RJE231881317T](#) [MP1010RX-1000](#) [MP44RX-1000](#) [GAX-3-66](#) [GAX-8-62](#) [93606-0253](#) [GD-A-44](#) [GDCX-PA-66-50](#) [GDCX-PN-64](#) [GDCX-PN-66](#) [GDCX-PN-66-50](#) [GDLX-A-66](#) [GDLX-A-88](#) [GDLX-N-66](#) [GDLX-S-88K](#) [GDTX-S-88-50](#) [GDX-PA-1010](#) [GLX-A-44](#) [GLX-N-1010M-BLK](#) [GLX-N-44M](#) [GLX-S-88M-BLK](#) [GMX-N-1010](#) [GMX-S-1010](#) [GMX-S-66](#) [GMX-SMT2-N-1010](#) [GMX-SMT2-N-64-50](#) [GMX-SMT2-S6-88](#) [GMX-SMT4-N-88](#) [GPX-2-64](#) [GRT1-BT1-5](#) [GSGX-N-2-88](#) [GSX-NS2-88-3.05](#) [GSX-NS2-88-3.05-50](#) [GSX-NS-88-3.05-30](#) [GSX-NS-88-3.05-50](#) [GSX-NS-88-3.68](#) [1-1775629-2](#) [GWLX-S-88-GR](#) [GWLX-S9-88-YG](#) [1300500326](#) [1300500227](#) [1300530003](#) [1300570002](#) [1324640-4](#) [RJ11FTVC2G](#) [RJ11FTVC2N](#) [RJFTVX2SA1G](#) [132764-001](#) [1400000](#) [1413176](#)