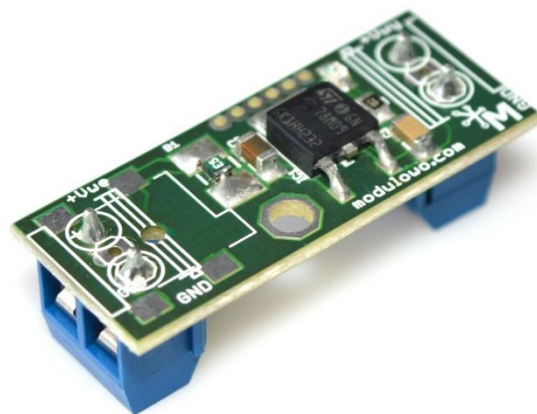




MOD – 06/9V

Breadboard Power Supply +9V

With 500mA Protection



Store: [store.modulowo.com](https://store.modulowo.com)  
Tutorials: [academy.modulowo.com](https://academy.modulowo.com)  
Documentation and schematics: [products.modulowo.com](https://products.modulowo.com)  
Software and projects: [app.modulowo.com](https://app.modulowo.com)  
Blog: [blog.modulowo.com](https://blog.modulowo.com)

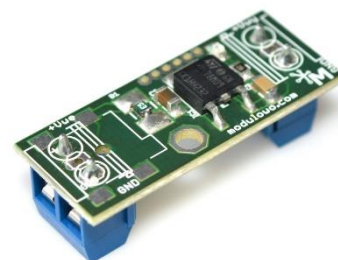
**Modułowo sp. z o.o.**  
ul. Mokotowska 1,  
00-640 Warsaw, POLAND  
E-mail: [info@modulowo.com](mailto:info@modulowo.com)

*The module enables to stabilize the output voltage at the appropriate level . It can be supplied with voltage up to + 16V and the output voltage of + 9V .*



Electronic devices require power supply of a specified voltage. The stabilizer is used to stabilize the output voltage at an appropriate

level and filter any interferences. The module can be supplied with a voltage of up to +16V. The output voltage is +9 V.



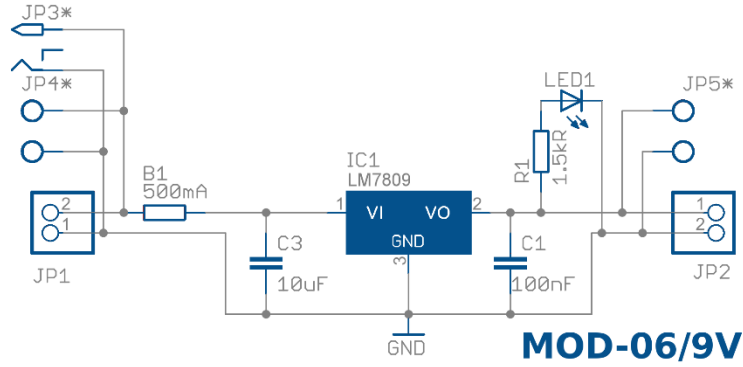
## Specifications:

<b>Code and Product Name</b>	<b>MOD-06/9V Breadboard Power Supply +9V With 500mA Protection</b>
<b>Integrated Circuit</b>	LM7809
<b>Protection</b>	Polymer Fuse 500mA
<b>Power</b>	up to +16V
<b>LED Indication</b>	yes
<b>Output Voltage</b>	+9V
<b>Dimensions</b>	15 mm x 37 mm
<b>Additional Information</b>	In the case of larger load currents and a significant difference between the supply voltage and the output voltage you may need to use a radiator to dissipate heat

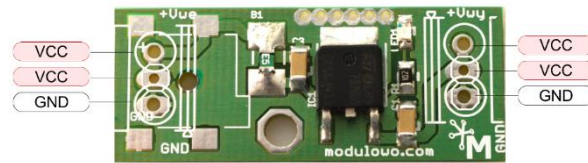
## Your list of modules

Each module has a unique serial number. Go to [www.modulowo.com/list](http://www.modulowo.com/list), enter the serial number and add the module to your list. This will allow quick access to the documentation and software.

Schematic:



Pinouts:



**MOD-06**

## X-ON Electronics

Largest Supplier of Electrical and Electronic Components

*Click to view similar products for [Development Boards & Kits - Other Processors](#) category:*

*Click to view products by [MODULOGY](#) manufacturer:*

Other Similar products are found below :

[KIT\\_AURIX\\_TC233LP\\_TRB](#) [EVB-MEC1418MECC](#) [SPC56XVTOP-M](#) [ADZS-BF506F-EZLITE](#) [ADZS-SADA2-BRD](#) [20-101-1252](#)  
[T1023RDB-PC](#) [20-101-1267](#) [T1042D4RDB-PA](#) [ML610Q174](#) [REFERENCE BOARD](#) [MPC574XG-MB](#) [BSC9132QDS](#) [C29XPCIE-RDB](#)  
[KIT\\_TC1793\\_SK](#) [CC-ACC-18M433](#) [P1010RDB-PB](#) [P1020RDB-PD](#) [P2020COME-DS-PB](#) [STM8S/32-D/RAIS](#) [T4240RDB-PB](#) [TRK-USB-](#)  
[MPC5604B](#) [TWR-56F8200](#) [CY3674](#) [SPC58XXADPT176S](#) [MAX1464EVKIT](#) [TRK-MPC5606B](#) [RTE510Y470TGB00000R](#) [STM8128-](#)  
[MCKIT](#) [MAXQ622-KIT#](#) [YRPBRL78G11](#) [SPC58EEMU](#) [QB-R5F10JGC-TB](#) [YQB-R5F11BLE-TB](#) [SPC564A70AVB176](#)  
[RTE5117GC0TGB00000R](#) [QB-R5F100LE-TB](#) [YR0K50571MS000BE](#) [YQB-R5F1057A-TB](#) [QB-R5F104PJ-TB](#) [CC-ACC-ETHMX](#)  
[LFM34INTPQA](#) [SPC563M64A176S](#) [Y-BLDC-SK-RL78F14](#) [P1021RDB-PC](#) [SPC58XCADPT176S](#) [RTE510MPG0TGB00000R](#)  
[YRPBRX71M](#) [LFMAJ04PLT](#) [KITAURIXTC234LPSTRBTOBO1](#) [OV-7604-C7-EVALUATION-BOARD](#)