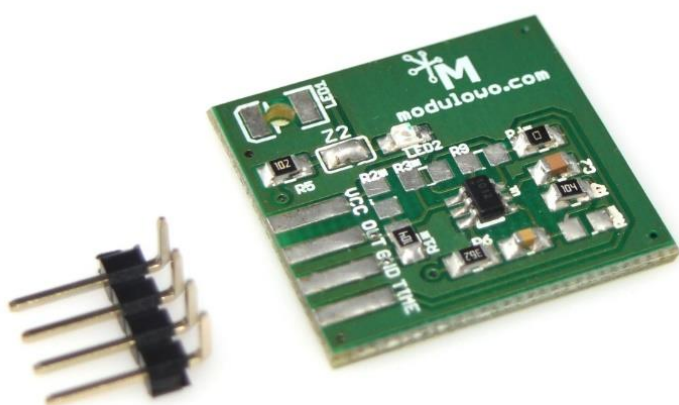


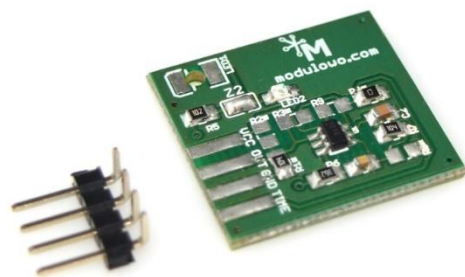
## MOD - 21

### Toggle Touch Sensor



Store: [store.modulowo.com](https://store.modulowo.com)  
Tutorials: [academy.modulowo.com](https://academy.modulowo.com)  
Documentation and schematics: [products.modulowo.com](https://products.modulowo.com)  
Software and projects: [app.modulowo.com](https://app.modulowo.com)  
Blog: [blog.modulowo.com](https://blog.modulowo.com)

**Modułowo sp. z o.o.**  
ul. Mokotowska 1,  
00-640 Warsaw, POLAND  
E-mail: [info@modulowo.com](mailto:info@modulowo.com)



*Substitute a mechanical switch with a capacitive touch switch.  
Its size is 22 mm x 23 mm only.*

The touch switch has a built-in AT42QT1012 capacitive touch sensor. You can easily replace the mechanical switch you use now. Upon detection of touch, the output changes its state to the opposite one. The switch can operate at the supply voltage range of up to 5.5 V. The switch also has the TIME pin, which can be used for additional features of the AT42QT1012 integrated circuit.

**Note!** The built-in LED can indicate the status of the switch output. To show the status the Z2 jumper must be closed.

**The switch has a double-sided tape from the side of the touch field for easy installation.**

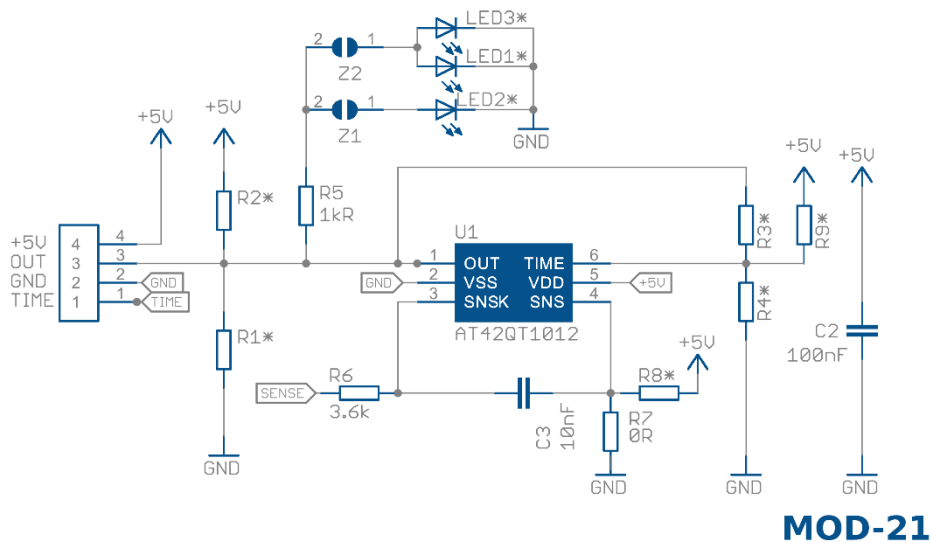
## Specifications:

<b>Code and Product Name</b>	<b>MOD-21 Toggle Touch Sensor</b>
<b>Integrated Circuit</b>	AT42QT1012
<b>Output pins</b>	4-pin ( VCC, OUT, GND, TIME )
<b>Power</b>	+ 1.8 V do + 5.5 V
<b>LED Indication</b>	yes, Z2 jumper activated
<b>Dimensions</b>	22 mm x 23 mm
<b>Additional Information</b>	double-sided tape for easy installation

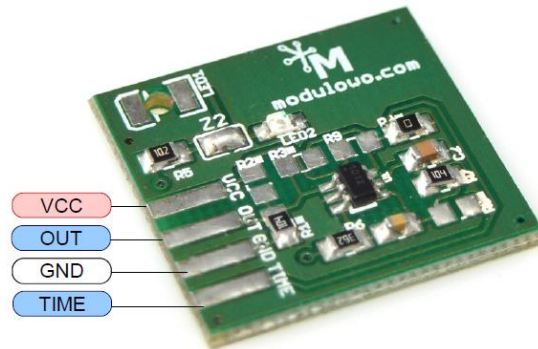
## Your list of modules

Each module has a unique serial number. Go to [www.modulowo.com/list](http://www.modulowo.com/list), enter the serial number and add the module to your list. This will allow quick access to the documentation and software.

### Schematic:



### Pinouts:



## X-ON Electronics

Largest Supplier of Electrical and Electronic Components

*Click to view similar products for [Development Boards & Kits - Other Processors](#) category:*

*Click to view products by [MODULOGY](#) manufacturer:*

Other Similar products are found below :

[KIT\\_AURIX\\_TC233LP\\_TRB](#) [EVB-MEC1418MECC](#) [SPC56XVTOP-M](#) [ADZS-BF506F-EZLITE](#) [ADZS-SADA2-BRD](#) [20-101-1252](#)  
[T1023RDB-PC](#) [20-101-1267](#) [T1042D4RDB-PA](#) [ML610Q174](#) [REFERENCE BOARD](#) [MPC574XG-MB](#) [BSC9132QDS](#) [C29XPCIE-RDB](#)  
[KIT\\_TC1793\\_SK](#) [CC-ACC-18M433](#) [P1010RDB-PB](#) [P1020RDB-PD](#) [P2020COME-DS-PB](#) [STM8S/32-D/RAIS](#) [T4240RDB-PB](#) [TRK-USB-](#)  
[MPC5604B](#) [TWR-56F8200](#) [CY3674](#) [SPC58XXADPT176S](#) [MAX1464EVKIT](#) [TRK-MPC5606B](#) [RTE510Y470TGB00000R](#) [STM8128-](#)  
[MCKIT](#) [MAXQ622-KIT#](#) [YRPBRL78G11](#) [SPC58EEMU](#) [QB-R5F10JGC-TB](#) [YQB-R5F11BLE-TB](#) [SPC564A70AVB176](#)  
[RTE5117GC0TGB00000R](#) [QB-R5F100LE-TB](#) [YR0K50571MS000BE](#) [YQB-R5F1057A-TB](#) [QB-R5F104PJ-TB](#) [CC-ACC-ETHMX](#)  
[LFM34INTPQA](#) [SPC563M64A176S](#) [Y-BLDC-SK-RL78F14](#) [P1021RDB-PC](#) [SPC58XCADPT176S](#) [RTE510MPG0TGB00000R](#)  
[YRPBRX71M](#) [LFMAJ04PLT](#) [KITAURIXTC234LPSTRBTOBO1](#) [OV-7604-C7-EVALUATION-BOARD](#)