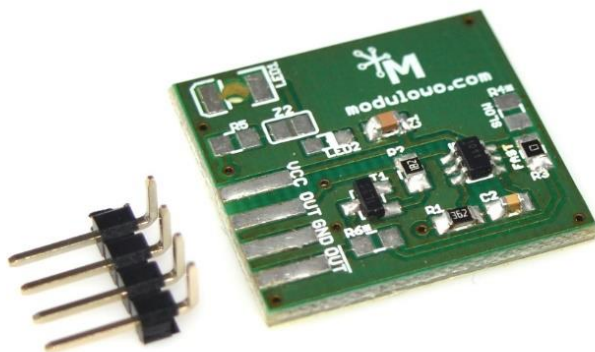




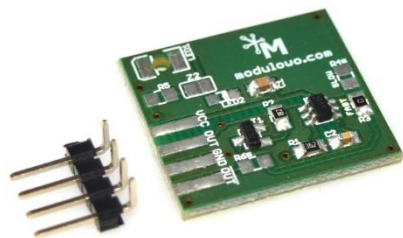
MOD - 25

Momentary Capacitive Touch Sensor



Store: store.modulowo.com
Tutorials: academy.modulowo.com
Documentation and schematics: products.modulowo.com
Software and projects: app.modulowo.com
Blog: blog.modulowo.com

Modułowo sp. z o.o.
ul. Mokotowska 1,
00-640 Warsaw, POLAND
E-mail: info@modulowo.com



Substitute a mechanical switch with a capacitive touch switch. The switch works also with the plexiglass with a thickness of 2-3 mm. Its size is 22 mm x 23 mm only.

The capacitive touch switch has a built-in AT42QT1011 sensor. You can easily replace the mechanical switch you use now, for example, the micro-switch. Upon detection of touch, the OUT output shows a high state. The switch also has a negated OUT output.

Note! The LED indicating the state of the switch output is not installed.

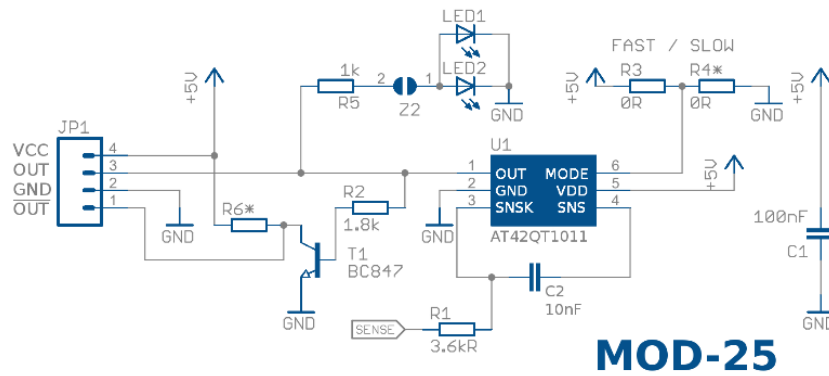
Specifications:

Code and Product Name	MOD-25 Momentary Capacitive Touch Sensor
Integrated Circuit	AT42QT1011
Output pins	4-pin (VCC, OUT, GND, TIME)
Power	+ 1.8 V do + 5.5 V
LED Indication	no, there is a place for the LED
Dimensions	22 mm x 23 mm
Configuration	FAST/SLOW mode jumper selection
Additional Information	double-sided tape for easy installation

Your list of modules

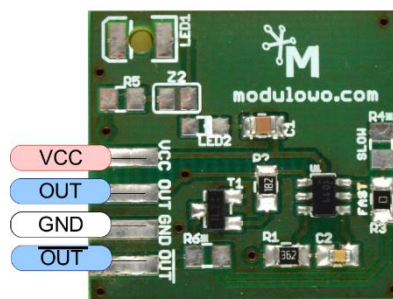
Each module has a unique serial number. Go to www.modulowo.com/list, enter the serial number and add the module to your list. This will allow quick access to the documentation and software.

Schematic:



MOD-25

Pinouts:



MOD-25

X-ON Electronics

Largest Supplier of Electrical and Electronic Components

Click to view similar products for [Development Boards & Kits - Other Processors](#) category:

Click to view products by [MODULOGY](#) manufacturer:

Other Similar products are found below :

[KIT_AURIX_TC233LP_TRB](#) [EVB-MEC1418MECC](#) [SPC56XVTOP-M](#) [ADZS-BF506F-EZLITE](#) [ADZS-SADA2-BRD](#) [20-101-1252](#)
[T1023RDB-PC](#) [20-101-1267](#) [T1042D4RDB-PA](#) [ML610Q174](#) [REFERENCE BOARD](#) [MPC574XG-MB](#) [BSC9132QDS](#) [C29XPCIE-RDB](#)
[KIT_TC1793_SK](#) [CC-ACC-18M433](#) [P1010RDB-PB](#) [P1020RDB-PD](#) [P2020COME-DS-PB](#) [STM8S/32-D/RAIS](#) [T4240RDB-PB](#) [TRK-USB-](#)
[MPC5604B](#) [TWR-56F8200](#) [CY3674](#) [SPC58XXADPT176S](#) [MAX1464EVKIT](#) [TRK-MPC5606B](#) [RTE510Y470TGB00000R](#) [STM8128-](#)
[MCKIT](#) [MAXQ622-KIT#](#) [YRPBRL78G11](#) [SPC58EEMU](#) [QB-R5F10JGC-TB](#) [YQB-R5F11BLE-TB](#) [SPC564A70AVB176](#)
[RTE5117GC0TGB00000R](#) [QB-R5F100LE-TB](#) [YR0K50571MS000BE](#) [YQB-R5F1057A-TB](#) [QB-R5F104PJ-TB](#) [CC-ACC-ETHMX](#)
[LFM34INTPQA](#) [SPC563M64A176S](#) [Y-BLDC-SK-RL78F14](#) [P1021RDB-PC](#) [SPC58XCADPT176S](#) [RTE510MPG0TGB00000R](#)
[YRPBRX71M](#) [LFMAJ04PLT](#) [KITAURIXTC234LPSTRBTOBO1](#) [OV-7604-C7-EVALUATION-BOARD](#)