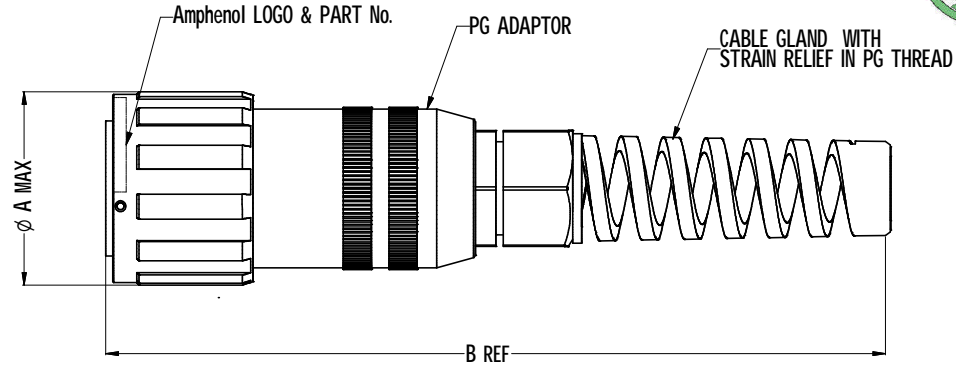
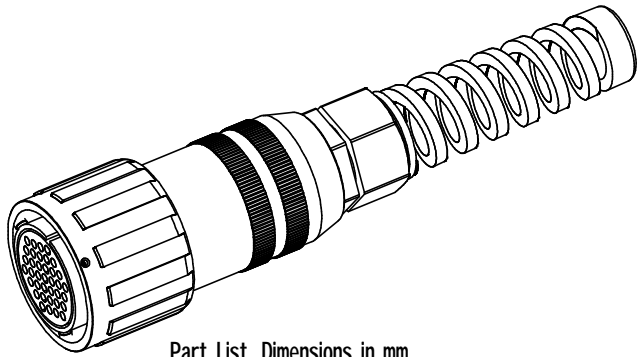




Part List, Dimensions in mm

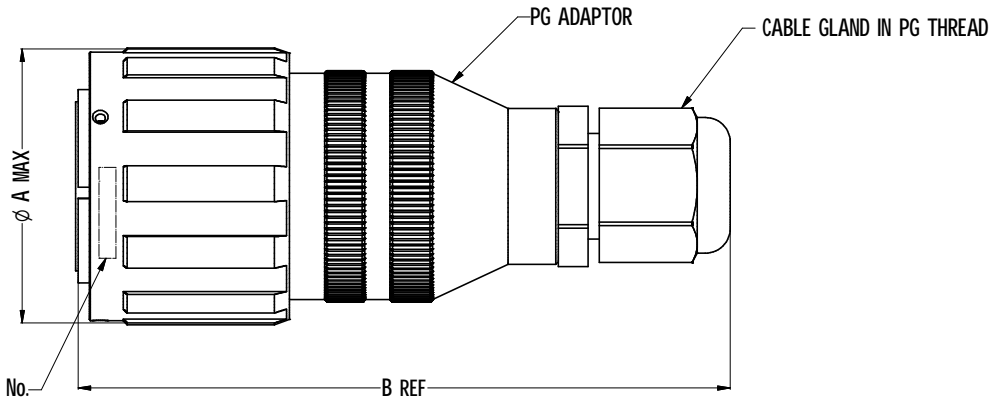
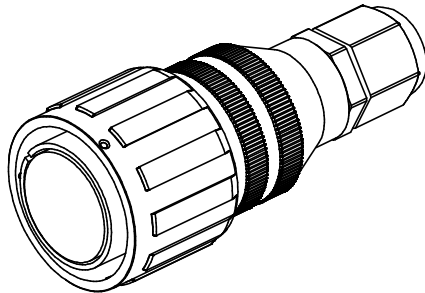
PART No	No OF CONTACTS	CABLE GLAND SIZE	DIA A	LENGTH B	ROLLER PIN
MP-4106-13S	13	PG11	39.9	160	NO
MP-4106-19S	19	PG13.5	43.1	171	NO
MP-4106-25S	25	PG16	46.6	193	NO
MP-4106-37S	37	PG21	53.4	210	NO
MP-4106-54S	54	PG21	60.7	210	YES



13, 19, 25, 37 AND 54 CONTACT TYPE

Part List, Dimensions in mm

PART No	No. OF CONTACTS	CABLE GLAND SIZE	DIA A	LENGTH B	ROLLER PIN
MP-4106-85S	85	PG29	72.4	137	YES
MP-4106-150S	150	PG36	72.4	145	YES



85 AND 150 CONTACT TYPE

**NOTES:**

- MATERIAL AND FINISH:
  - FOR CONNECTOR SHELL AND ADAPTOR: ALUMINUM ALLOY, BLACK FINISH
  - FOR PG CABLE GLAND: POLYAMIDE BLACK.
- SUPPLIED WITH GOLD PLATED CONTACTS

**CUSTOMER DRAWING**

UNLESS OTHERWISE SPECIFIED TOLERANCE TO BE		THIS DOCUMENT IS THE PROPERTY OF AMPHENOL AUSTRALIA PTY. LTD. NO PART THEREOF MAY BE REPRODUCED AND USED WITHOUT THE PRIOR WRITTEN CONSENT OF THE OWNER			
LINEAR	ANGULAR	CAD FILE: 55010234000214	DRN: T.JN	DATE: 01/08/03	REV.
X ±	X' ± 1	MATL: SEE NOTE 1	CKD: P.M	DATE: 20/02/06	REV. 1
X.X ±	X'X' ± 30'	FINISH: SEE NOTE 1	APP'D: P.M	DATE: 20/02/06	REV. 2
XXX ±	XXX' ± 15'	DO NOT SCALE	SCALE: SEE NOTE 1	SCALE: SEE TABLE	REV. 3
BREAK ALL SHARP EDGES AND REMOVE ALL BURRS		DIMENSIONS IN MILLIMETRES		THIRD ANGLE PROJECTION	
DO NOT SCALE		FINISH: SEE NOTE 1		APP'D: P.M	
DIMENSIONS IN MILLIMETRES		SCALE: SEE NOTE 1		PART No: SEE TABLE	
TITLE: STRAIGHT CABLE PLUG WITH SOCKET CONTACTS		DRAWING NO: 55010234-000-2		SHEET: 2/2	
DRAWING NO: 55010234-000-2		SIZE: A4		SHEET: 2/2	

4	CHANGE FINISH TO BLACK COATING	T.JN	17/02/06	8478
3	CHANGE FINISH NOTES ADD ROLLER PIN. ADD DIM E FOR COUPLING NUT	T.JN	09/09/05	8422
2	CHANGE FINISH FROM PLATING TO COATING	L.V	16-04-04	8277
1	SEE CHANGE NOTE 8236	T.JN	18/11/03	2836
0	FIRST ISSUE	T.JN	01/08/03	----
REV.	CHANGE DETAILS	BY	DATE	CHG/No



## X-ON Electronics

Largest Supplier of Electrical and Electronic Components

*Click to view similar products for [Unspecified Connectors](#) category:*

*Click to view products by [Amphenol](#) manufacturer:*

Other Similar products are found below :

[1-21107-1](#) [2-21053-5](#) [PSC-28-1](#) [38111](#) [403000A10M050](#) [1-1589688-1](#) [770690-4](#) [QUINT-PS/1AC/48DC/10](#) [99 9113 02 05](#) [CA06COM-PG14SE7S-SPL](#) [578302](#) [578286](#) [130623](#) [186316](#) [153253](#) [186328](#) [153322](#) [153354](#) [193951](#) [1713941](#) [HC-DD72-I-CT-F](#) [RC-5AS2000](#) [RC-5CS2000](#) [RC-Z2068](#) [VC-TR5/6M](#) [RAD-900-CONF-RF1](#) [RAD-CON-SMA-N-SS](#) [RAD-ISM-900-ANT-OMNI-0-6](#) [RAD-PIG-EF316-N-RSMA](#) [KST-POF](#) [RIF-0-RPT-12DC/21](#) [RIF-1-BPT/2X21](#) [RIF-1-RPT-LV-120AC/2X21AU](#) [PV-FT-C2F-HSG](#) [HC-EVO-B06-HHFS-2B-PL-BK](#) [99 0210 00 04](#) [801377](#) [803579](#) [710-00007](#) [125.038-8](#) [135.016](#) [136.1612](#) [137.014](#) [137.015](#) [137.016](#) [138.015](#) [138.016](#) [2000 1/8](#) [2902021](#)  
[259.02SB-25](#)