

## TOWER & SIGNAL LIGHTS CONTROL SWITCHES

[www.AutonicsOnline.com](http://www.AutonicsOnline.com)

**Autonics USA, Inc.**

**Toll Free: 1.866.862.2602**

1001 Butterfield Rd, Vernon Hills, IL 60061  
Phone: 847-680-8160 | Fax: 847-680-8155  
Email: [sales@autonicsusa.net](mailto:sales@autonicsusa.net)

**Autonics México**

Torre Índigo Reforma, 373 piso 11,  
Col. Cuahutémoc 06500 México D.F.  
Tel: 52-55-5207-0019 | Fax : 52-55-5207-0099  
Email : [ventas@autonics.com](mailto:ventas@autonics.com)



# PTE Ø56mm LED Modular Style Steady & Flashing with Buzzer

## TOWER LIGHTS



- LED modular components
- Bright & even light distribution through prism-cut lenses
- Fast & easy assembly with inter-locking construction
- 3 base body options
- Optional 85dB Buzzer (fixed or adjustable volume)
- NEMA 4x / IP65 rated
- RoHS compliant



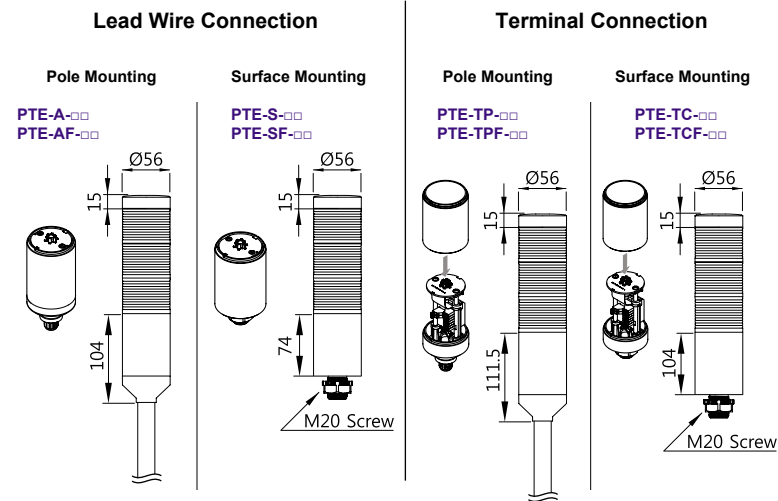
### Order Information

#### Body Units

| Body Type            | Voltage          | Part Number |                   |            |
|----------------------|------------------|-------------|-------------------|------------|
|                      |                  | Steady      | Steady & Flashing |            |
| Lead Wire Connection | Pole Mounting    | AC 90~240V  | PTE-A-FF          | PTE-AF-FF  |
|                      |                  | DC/AC 24V   | PTE-A-02          | PTE-AF-02  |
|                      | Surface Mounting | AC 90~240V  | PTE-S-FF          | PTE-SF-FF  |
|                      |                  | DC/AC 24V   | PTE-S-02          | PTE-SF-02  |
| Terminal Connection  | Pole Mounting    | AC 90~240V  | PTE-TP-FF         | PTE-TPF-FF |
|                      |                  | DC/AC 24V   | PTE-TP-02         | PTE-TPF-02 |
|                      | Surface Mounting | AC 90~240V  | PTE-TC-FF         | PTE-TCF-FF |
|                      |                  | DC/AC 24V   | PTE-TC-02         | PTE-TCF-02 |

### Dimensions

unit: mm



#### LED Modules

| LED Color | Part Number     |                  |
|-----------|-----------------|------------------|
|           | Standard Module | Dome Head Module |
| RED       | PTE-02R         | PTD-02R          |
| Yellow    | PTE-02Y         | PTD-02Y          |
| Green     | PTE-02G         | PTD-02G          |
| Blue      | PTE-02B         | PTD-02B          |
| *Clear    | PTE-02C         | PTD-02C          |

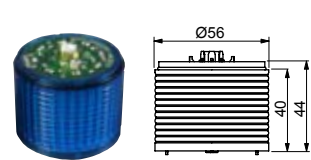
\*Clear Module cannot be used with Buzzer.

#### Locking Bolts

| Number of LED Stacks | Part Number | Size      |
|----------------------|-------------|-----------|
| 1 Stack              | B-PTE-1     | M4, 65mm  |
| 2 Stacks             | B-PTE-2     | M4, 105mm |
| 3 Stacks             | B-PTE-3     | M4, 145mm |
| 4 Stacks             | B-PTE-4     | M4, 185mm |
| 5 Stacks             | B-PTE-5     | M4, 225mm |

\*Note: Do NOT count Buzzer as a stack.

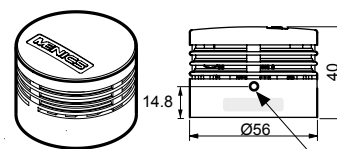
#### Standard Modules



#### Dome Head Modules



#### Buzzer Kits



#### Buzzer Kits (Optional)

| Buzzer Style           | Part Number |
|------------------------|-------------|
| Fixed Sound Level      | MPZ-56F     |
| Adjustable Sound Level | MPZ-56G     |

\*Note: Max. number of tier including Buzzer is 5.

Sound Level Adjuster

See Page 13-14 for Mounting Options and Accessories.

# Specifications

## Body Units

| Operation/Function    | Steady/ Flashing                   |                            |
|-----------------------|------------------------------------|----------------------------|
| Power Supply          | AC/DC 24V (±10%)                   | AC 90~240V 50/60 Hz (±10%) |
| Buzzer Sound Level    | Fixed: 85dB Adjustable: 10~85dB    |                            |
| Lens Color            | Red, Yellow, Green, Blue & Clear   |                            |
| Lens Diameter         | 56 mm (2.2 inch)                   |                            |
| Maximum Tier          | 5                                  |                            |
| Flash Rate            | 80 times/ minute                   |                            |
| Vibration             | 3mm at 10~55Hz                     |                            |
| Ambient Temperature   | -15°C~40°C                         |                            |
| Storage Temperature   | -40°C ~ 70°C                       |                            |
| Ambient Humidity      | 45~85% RH                          |                            |
| Degree of Protection  | NEMA 4x, IP65 / IP50 (with Buzzer) |                            |
| Approvals             | CE , UL, RoHS                      |                            |
| Recommended Wire Size | 1007 UL / 22 AWG                   |                            |

## LED Modules

|                 |                  | Red   | Yellow | Green        | Blue | Clear        |
|-----------------|------------------|---|--------|--------------|------|--------------|
| Current / Power | Standard Module  | 27mA / 0.65W                                    |        | 35mA / 0.84W |      |              |
|                 | Dome Head Module | 58mA / 2.64W                                    |        | 52mA / 1.25W |      | 53mA / 1.27W |
| Weight          |                  | Standard Module: 42.8g<br>Dome Head Module: 53g |        |              |      |              |

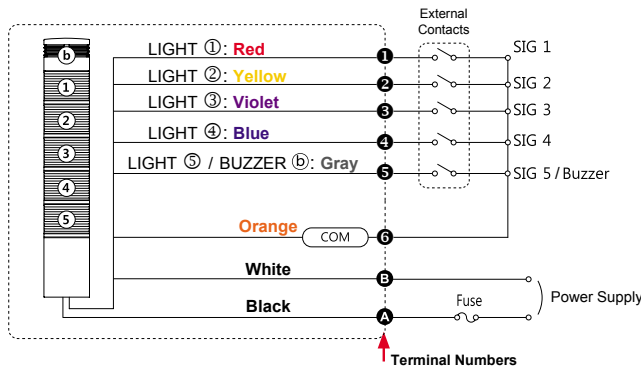
## Buzzer Kits

|                             |                   |                        |
|-----------------------------|-------------------|------------------------|
| Model                       | MPZ-56F           | MPG-56G                |
| Style                       | Fixed Sound Level | Adjustable Sound Level |
| Sound Level                 | 85 dB             | 10~85 dB               |
| Current Consumption / Power | 30mA / 0.72W      | 30mA / 0.72W           |
| Weight                      | 32.2g             | 33g                    |

# Wiring Diagram

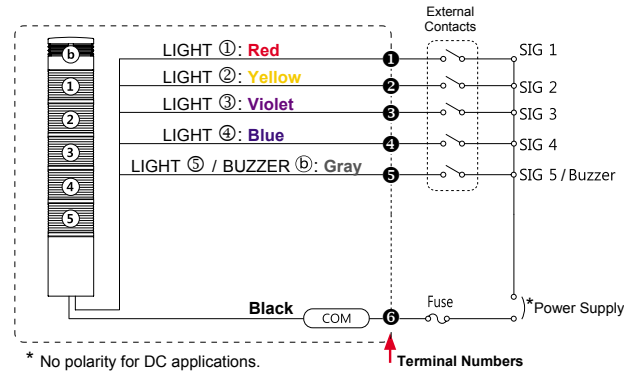
## AC 90~240V Steady Lights

PTE-A-FF PTE-S-FF PTE-T□-FF



## DC/AC 24V Steady Lights

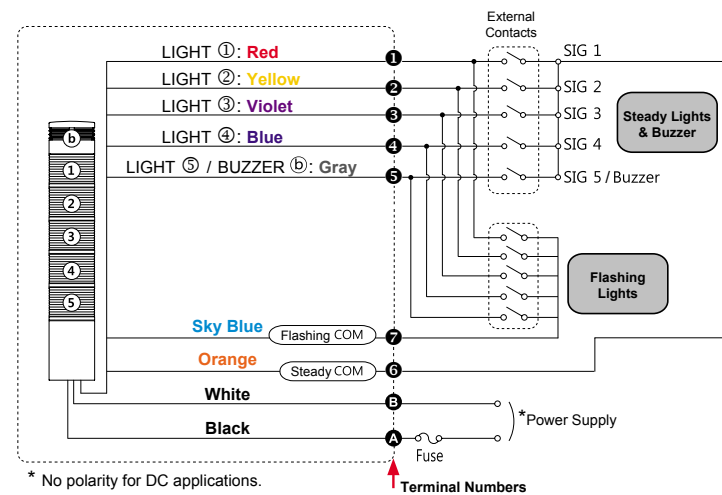
PTE-A-02 PTE-S-02 PTE-T□-02



\* No polarity for DC applications.

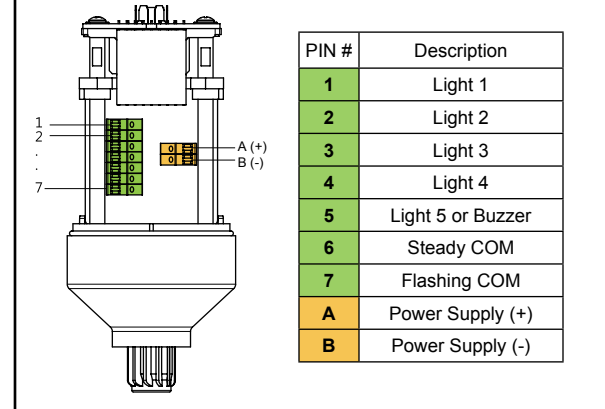
## AC 90~240V DC/AC 24V Steady & Flashing Lights

PTE-AF-02 PTE-AF-FF  
PTE-SF-02 PTE-SF-FF  
PTE-T□F-02 PTE-T□F-FF



\* No polarity for DC applications.

## Terminal Connections





# PTM Ø56mm LED 3 colors in 1 Steady & Flashing with Buzzer

## TOWER LIGHTS



- 3 colors in 1 LED modular components
- Bright & even light distribution through prism-cut lenses
- Fast & easy assembly with inter-locking construction
- 3 base body options
- Optional 85dB Buzzer (fixed or adjustable volume)
- NEMA 4x / IP65 rated
- RoHS compliant



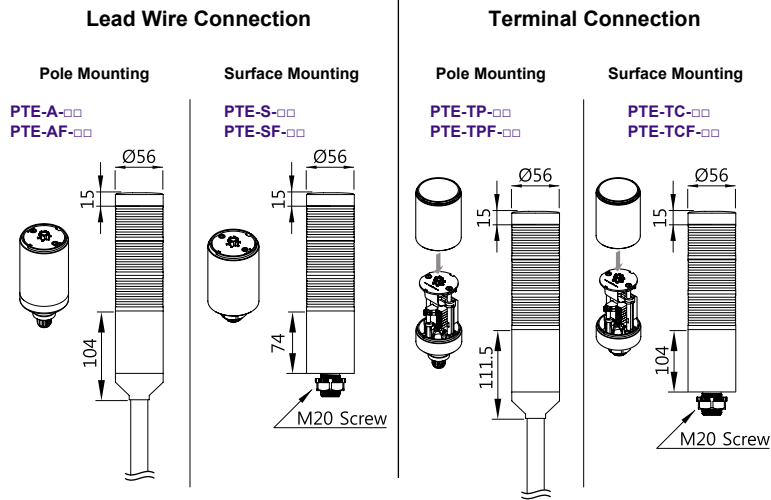
### Order Information

#### Body Units

| Body Type            | Voltage    | Part Number |                   |
|----------------------|------------|-------------|-------------------|
|                      |            | Steady      | Steady & Flashing |
| Lead Wire Connection | AC 90~240V | PTE-A-FF    | PTE-AF-FF         |
|                      |            | DC/AC 24V   | PTE-A-02          |
|                      | AC 90~240V | PTE-S-FF    | PTE-SF-FF         |
|                      |            | DC/AC 24V   | PTE-S-02          |
| Terminal Connection  | AC 90~240V | PTE-TP-FF   | PTE-TPF-FF        |
|                      |            | DC/AC 24V   | PTE-TP-02         |
|                      | AC 90~240V | PTE-TC-FF   | PTE-TCF-FF        |
|                      |            | DC/AC 24V   | PTE-TC-02         |

### Dimensions

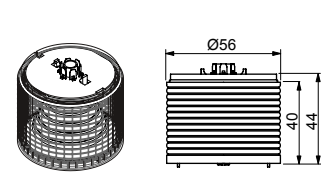
unit: mm



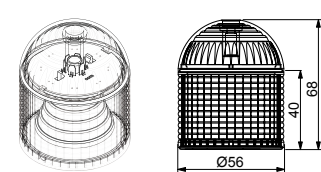
### LED Modules

| LED Color              | Part Number     |                  |
|------------------------|-----------------|------------------|
|                        | Standard Module | Dome Head Module |
| 3 colors in 1<br>R/Y/G | PTM-02RYG       | PTMD-02RYG       |
|                        | PTM-02RBG       | PTMD-02RBG       |

### Standard Modules



### Dome Head Modules



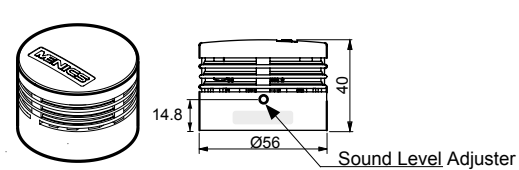
### Locking Bolts

| Part Number | Size     |
|-------------|----------|
| B-PTE-1     | M4, 65mm |

### Buzzer Kits (Optional)

| Buzzer Style           | Part Number |
|------------------------|-------------|
| Fixed Sound Level      | MPZ-56F     |
| Adjustable Sound Level | MPZ-56G     |

### Buzzer Kits



See Page 13-14 for Mounting Options and Accessories.

# Specifications

## Body Units

| Operation/Function    | Steady/ Flashing  |                            |
|-----------------------|---|----------------------------|
| Power Supply          | AC/DC 24V (±10%)  | AC 90~240V 50/60 Hz (±10%) |
| Buzzer Sound Level    | Fixed: 85dB Adjustable: 10~85dB                           |                            |
| Lens Color            | 3 colors in 1 module:<br>Red/Yellow/Green, Red/Blue/Green |                            |
| Lens Diameter         | 56 mm (2.2 inch)  |                            |
| Maximum Tier          | 2   |                            |
| Flash Rate            | 80 times/ minute  |                            |
| Vibration             | 3mm at 10~55Hz  |                            |
| Ambient Temperature   | -15°C~40°C  |                            |
| Storage Temperature   | -40°C ~ 70°C  |                            |
| Ambient Humidity      | 45~85% RH   |                            |
| Degree of Protection  | NEMA 4x, IP65 / IP50 (with Buzzer)                        |                            |
| Approvals             | CE, UL, RoHS  |                            |
| Recommended Wire Size | 1007 UL / 22 AWG  |                            |

## LED Modules

| Color           |                  | 3 colors in 1          |               |                       |               |
|-----------------|------------------|------------------------|---------------|-----------------------|---------------|
|                 |                  | R/Y/G                  |               | R/B/G                 |               |
| Current / Power | Standard Module  | R                      | 30mA / 0.72W  | R                     | 30mA / 0.72W  |
|                 |                  | Y                      |               | G                     |               |
|                 |                  | G                      | 25mA / 0.6W   | B                     | 25mA / 0.6W   |
|                 | Dome Head Module | R                      | 58mA / 2.64 W | R                     | 58mA / 2.64 W |
|                 |                  | Y                      |               | G                     |               |
|                 |                  | G                      | 52mA / 1.25W  | B                     | 52mA / 1.25W  |
| Weight          |                  | Standard Module: 42.8g |               | Dome Head Module: 53g |               |

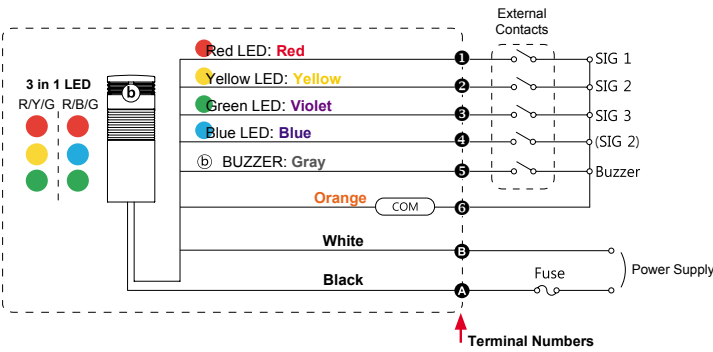
## Buzzer Kits

| Model                       | MPZ-56F           | MPG-56G                |
|-----------------------------|-------------------|------------------------|
| Style                       | Fixed Sound Level | Adjustable Sound Level |
| Sound Level                 | 85 dB             | 10~85 dB               |
| Current Consumption / Power | 30mA / 0.72W      | 30mA / 0.72W           |
| Weight                      | 32.2g             | 33g                    |

# Wiring Diagram

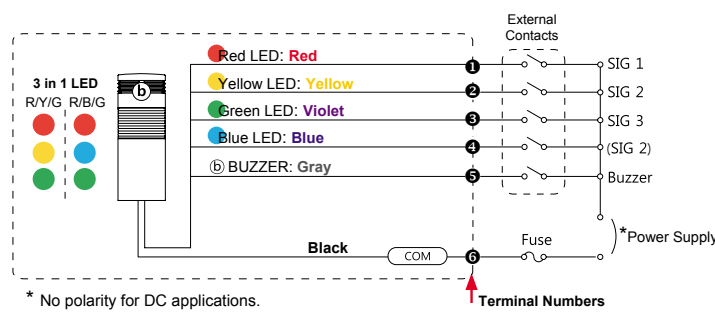
## AC 90~240V Steady Lights

PTE-A-FF PTE-S-FF PTE-T□-FF



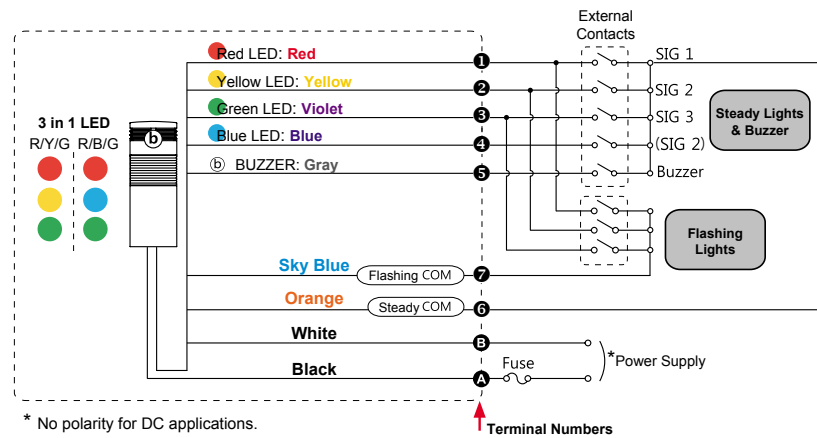
## DC/AC 24V Steady Lights

PTE-A-02 PTE-S-02 PTE-T□-02

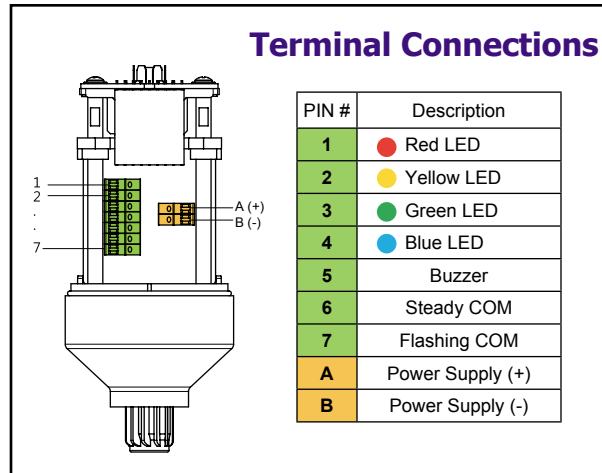


## AC 90~240V DC/AC 24V Steady & Flashing Lights

PTE-AF-02 PTE-AF-FF  
PTE-SF-02 PTE-SF-FF  
PTE-T□F-02 PTE-T□F-FF



## Terminal Connections



# PRE Ø56mm LED Steady & Flashing with Buzzer

## TOWER LIGHTS



- Long life and reliability
- Prism-cut lenses for even light distribution
- Surface, Pole or Wall Mounted (Order poles & bases separately)
- Wire leads
- Add-on Buzzer (80 dB) kit available



### Order Information

|                                     |           |          |                   |              |
|-------------------------------------|-----------|----------|-------------------|--------------|
| <b>PRE</b>                          | <b>F</b>  | <b>5</b> | <b>01</b>         | <b>RYGBC</b> |
| ①                                   | ②         | ③        | ④                 |              |
| ①<br>Light Style                    |           |          | Steady            |              |
|                                     | <b>F</b>  |          | Steady & Flashing |              |
| ②<br>Number of Stacks               | <b>1</b>  |          | 1 Light           |              |
|                                     | <b>2</b>  |          | 2 Lights          |              |
|                                     | <b>3</b>  |          | 3 Lights          |              |
|                                     | <b>4</b>  |          | 4 Lights          |              |
|                                     | <b>5</b>  |          | 5 Lights          |              |
| ③<br>Power Supply                   | <b>01</b> |          | DC/AC 12V         |              |
|                                     | <b>02</b> |          | DC/AC 24V         |              |
|                                     | <b>10</b> |          | AC 110V           |              |
|                                     | <b>20</b> |          | AC 220V           |              |
| ④<br>Lens Colors<br>(top to bottom) | <b>R</b>  |          | Red               |              |
|                                     | <b>Y</b>  |          | Yellow            |              |
|                                     | <b>G</b>  |          | Green             |              |
|                                     | <b>B</b>  |          | Blue              |              |
|                                     | <b>C</b>  |          | Clear             |              |

### Specifications

| Power Supply  | 12V AC/DC       | 24V AC/DC | 120/240V AC |
|---------------|-----------------|-----------|-------------|
| Current Draw  | 1 Stack         | 54 mA     | 28 mA       |
|               | 2 Stack         | 109 mA    | 62 mA       |
|               | 3 Stack         | 169 mA    | 102 mA      |
|               | 4 Stack         | 223 mA    | 136 mA      |
|               | 5 Stack         | 275 mA    | 169 mA      |
| Buzzer        | —               | 30 mA     | 155 mA      |
| Sound Level   | —               | 80 dB     |             |
| Flashing rate | 80 times/minute |           |             |
| Rating        | IP 56           |           |             |

### Optional Orders

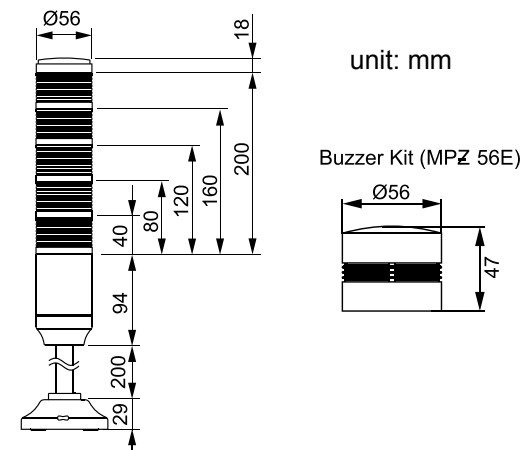
| PART   | PART NUMBER | DESCRIPTION  |
|--------|-------------|--|
| Buzzer | MPZ-56E     | Ø56mm, 80dB (30mA), 24~240V DC/AC<br>*Buzzer is not available for 12V DC/AC. |

#### Replacement Parts

|      |                |               |
|------|----------------|---------------|
| LED  | PRELED-5(□)    | 24~240V AC/DC |
|      | PRELED-5(□)-12 | 12V AC/DC     |
| Lens | PEL-5(□)       | —             |

(□): indicates color of LED or Lens; R, Y, G, B or C

### Dimensions



unit: mm

Buzzer Kit (MPZ 56E)

See Page 13-14  
for Mounting Options and Accessories.

# PME Ø45mm LED Steady & Flashing

## TOWER LIGHTS

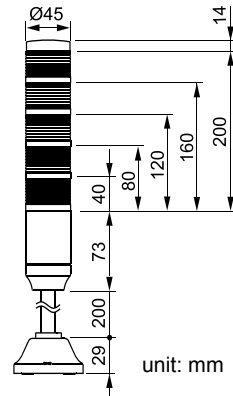


- Long life and reliability
- Prism-cut lenses for even light distribution
- Surface, Pole or Wall Mounted (Order poles & bases separately)
- Wire leads



### Specifications

| Power Supply  | 12V AC/DC       | 24V AC/DC | 100-220V AC |
|---------------|-----------------|-----------|-------------|
| Current Draw  |                 |           |             |
| 1 Stack       | 41 mA           | 27 mA     | 28 mA       |
| 2 Stack       | 89 mA           | 57 mA     | 60 mA       |
| 3 Stack       | 149 mA          | 95 mA     | 99 mA       |
| 4 Stack       | 204 mA          | 125 mA    | 131 mA      |
| 5 Stack       | 240 mA          | 155 mA    | 163 mA      |
| Flashing rate | 80 times/minute |           |             |
| Rating        | IP 56           |           |             |



### Order Information

| PME                         | F  | 5 | 01 | RYGBC             |
|-----------------------------|----|---|----|-------------------|
| ①                           | ②  | ③ | ④  |                   |
| Light Style                 |    |   |    | Steady            |
|                             | F  |   |    | Steady & Flashing |
| Number of Stacks            | 1  |   |    | 1 Light           |
|                             | 2  |   |    | 2 Lights          |
|                             | 3  |   |    | 3 Lights          |
|                             | 4  |   |    | 4 Lights          |
|                             | 5  |   |    | 5 Lights          |
| Power Supply                | 01 |   |    | DC/AC 12V         |
|                             | 02 |   |    | DC/AC 24V         |
|                             | FF |   |    | AC 90~240V        |
| Lens Colors (top to bottom) | R  |   |    | Red               |
|                             | Y  |   |    | Yellow            |
|                             | G  |   |    | Green             |
|                             | B  |   |    | Blue              |
|                             | C  |   |    | Clear             |

### Replacement Parts

| LED  | PMELED-4(□)    | 24~240V AC/DC |
|------|----------------|---------------|
|      | PMELED-4(□)-12 | 12V AC/DC     |
| Lens | PML-4(□)       | —             |

(□): indicates color of LED or Lens; R, Y, G, B or C

See Page 13-14 for Mounting Options and Accessories.

# PAE Ø25mm LED Steady & Flashing

## TOWER LIGHTS

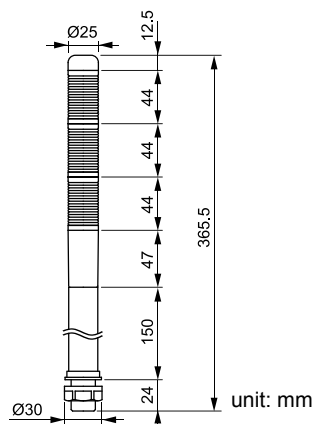


- Long life and reliability
- Prism-cut lenses for even light distribution
- Surface, Pole or Wall Mounted (Order poles & bases separately)
- Wire leads



### Specifications

| Power Supply  | 12V AC/DC       | 24V AC/DC |
|---------------|-----------------|-----------|
| Current Draw  |                 |           |
| 1 Stack       | 30 mA           | 25 mA     |
| 2 Stack       | 65 mA           | 60 mA     |
| 3 Stack       | 100 mA          | 90 mA     |
| 4 Stack       | 135 mA          | 120 mA    |
| 5 Stack       | 170 mA          | 150 mA    |
| Flashing rate | 80 times/minute |           |
| Rating        | IP 56           |           |



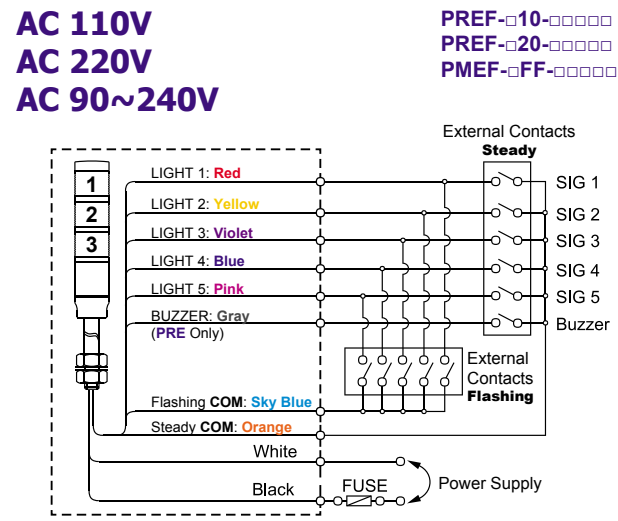
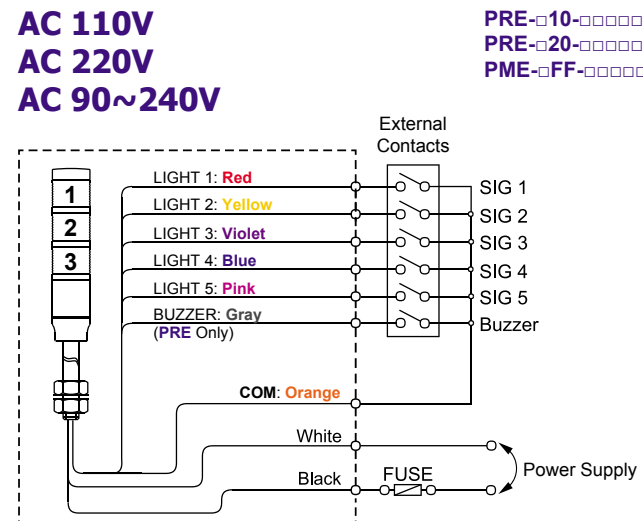
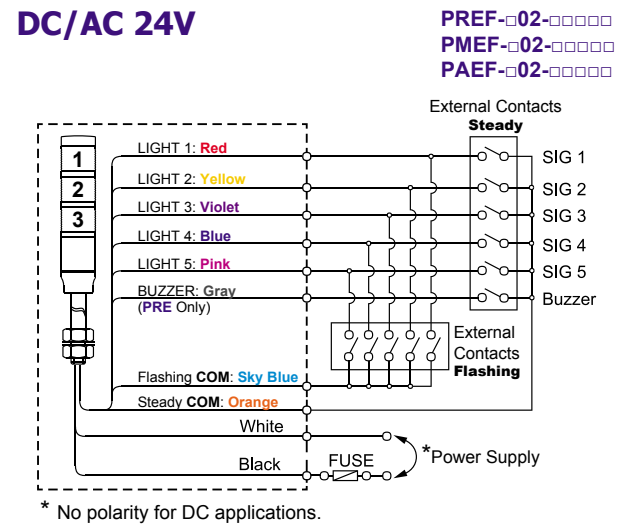
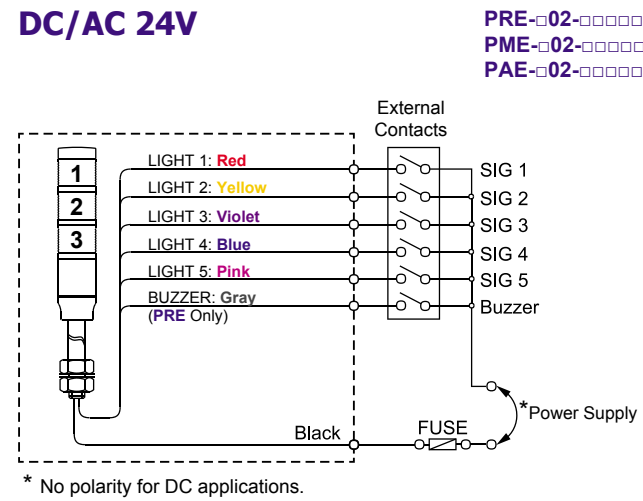
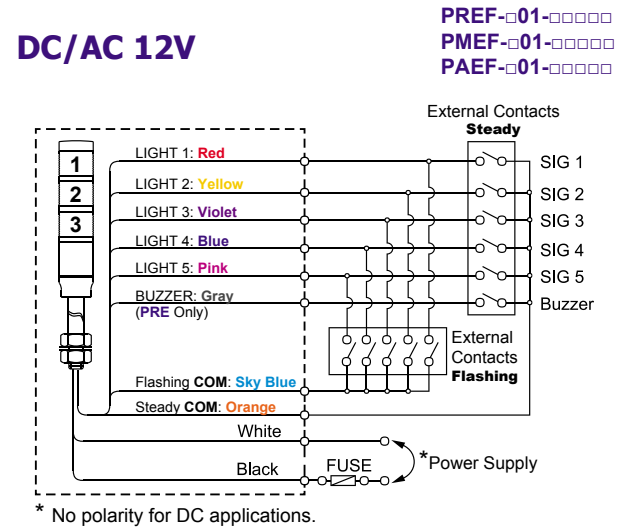
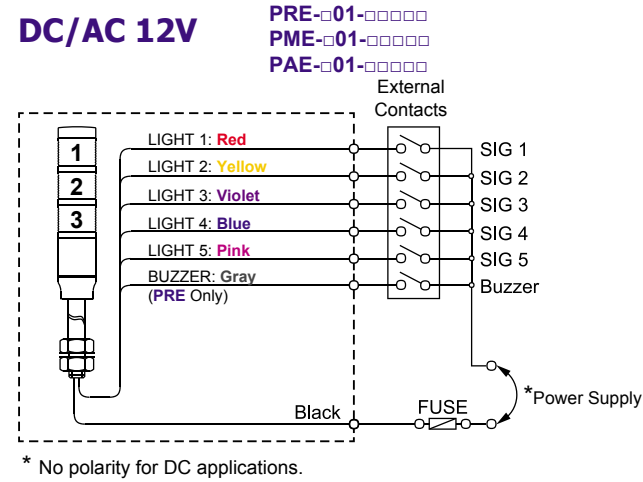
### Order Information

| PAE                         | F  | M | G | 5 | 01 | RYGBC             |
|-----------------------------|----|---|---|---|----|-------------------|
| ①                           | ②  | ③ | ④ | ⑤ | ⑥  |                   |
| Light Style                 |    |   |   |   |    | Steady            |
|                             | F  |   |   |   |    | Steady & Flashing |
| Mounting                    |    |   |   |   |    | Standard          |
|                             | M  |   |   |   |    | Pole Mount        |
|                             | R  |   |   |   |    | 90° Bracket       |
| Pole Length                 |    |   |   |   |    | No Pole           |
|                             | G  |   |   |   |    | 51mm pole         |
|                             | P  |   |   |   |    | 150mm pole        |
| Number of Stacks            | 1  |   |   |   |    | 1 Light           |
|                             | 2  |   |   |   |    | 2 Lights          |
|                             | 3  |   |   |   |    | 3 Lights          |
|                             | 4  |   |   |   |    | 4 Lights          |
|                             | 5  |   |   |   |    | 5 Lights          |
| Power Supply                | 01 |   |   |   |    | DC/AC 12V         |
|                             | 02 |   |   |   |    | DC/AC 24V         |
| Lens Colors (top to bottom) | R  |   |   |   |    | Red               |
|                             | Y  |   |   |   |    | Yellow            |
|                             | G  |   |   |   |    | Green             |
|                             | B  |   |   |   |    | Blue              |
|                             | C  |   |   |   |    | Clear             |

# PRE / PME / PAE Wiring Diagram

## Steady Lights

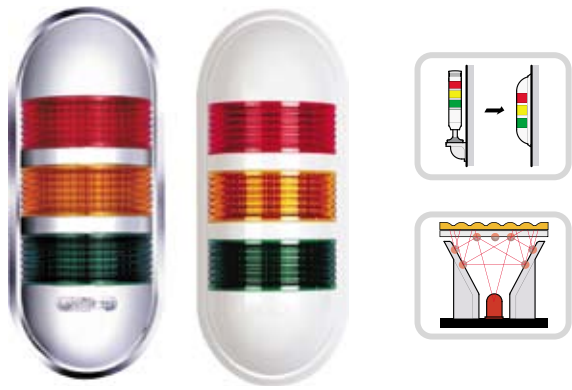
## Steady & Flashing Lights





# PWE Wall Mounted LED Tower Lights with Buzzer

## TOWER LIGHTS



- Slim Profile Wall Mount
- Easy Mounted vertically and horizontally
- Equivalent brightness in every angle
- Steady and flashing lights
- Vibration and moisture resistant
- Chrome or tan colored body

### Order Information

**PWE** **C** **F** - **3** **02** - **RYG**

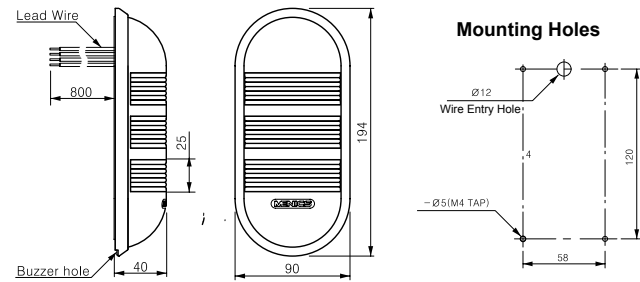
① ② ③ ④ ⑤

|                                     |           |                    |
|-------------------------------------|-----------|--------------------|
| ①<br>Housing Color                  | <b>C</b>  | Cream              |
|                                     |           | Chrome             |
| ②<br>Light Style                    | <b>F</b>  | Steady             |
|                                     | <b>B</b>  | Steady & Flashing  |
|                                     | <b>Z</b>  | Steady with Buzzer |
| ③<br>Number of Stacks               | <b>1</b>  | 1 Light            |
|                                     | <b>2</b>  | 2 Lights           |
|                                     | <b>3</b>  | 3 Lights           |
| ④<br>Power Supply                   | <b>02</b> | DC/AC 24V          |
|                                     | <b>FF</b> | AC 90~240V         |
| ⑤<br>Lens Colors<br>(top to bottom) | <b>R</b>  | Red                |
|                                     | <b>Y</b>  | Yellow             |
|                                     | <b>G</b>  | Green              |

### Specifications

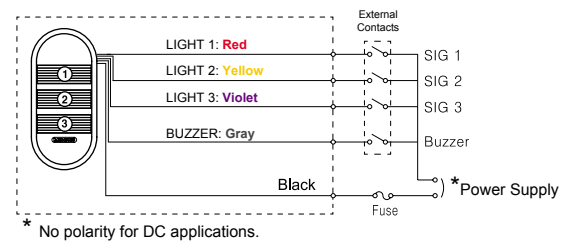
|               |                          |            |        |
|---------------|--------------------------|------------|--------|
| Power Supply  | 24V AC/DC                | 90~240V AC |        |
| Current Draw  | 1 Stack                  | 28 mA      | 30 mA  |
|               | 2 Stack                  | 63 mA      | 65 mA  |
|               | 3 Stack                  | 103 mA     | 100 mA |
| Sound Level   | 85 dB                    |            |        |
| Flashing rate | 80 times/minute          |            |        |
| Rating        | IP 65/ IP 56 with Buzzer |            |        |

### Dimensions

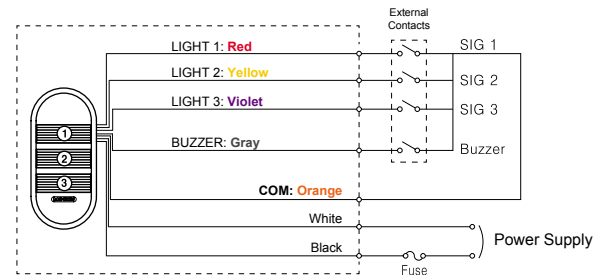


### Wiring Diagram

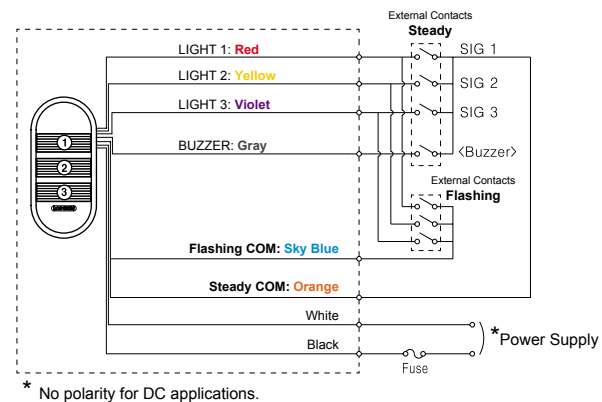
**DC/AC 24V**  
Steady Lights (with Buzzer) PWE-□02-□□□ PWEB-□02-□□□



**AC 90~240V**  
Steady Lights (with Buzzer) PWE-□FF-□□□ PWEB-□FF-□□□



**AC 90~240V**  
**DC/AC 24V**  
Steady & Flashing Lights (with Buzzer) PWEF-□02-□□□ PWEZ-□02-□□□ PWEF-□FF-□□□



# MT5C/8C Ø56mm / Ø85mm Steady & Flashing with Buzzer

## TOWER LIGHTS



### Incandescent or LED

- Optional LED bulbs available
- Selectable Steady or Flashing Modes
- Prism-cut lenses for even light distribution
- Surface, Pole or Wall Mounted (Order poles & bases separately)
- Wire leads or Terminal connection
- Add-on Buzzer (80 dB) kit available
- NEMA 12, 3R / IP56 rated



### Order Information

MT 5 C 5 A L - RYGB C

① ② ③ ④ ⑤ ⑥

|                    |   |       |
|--------------------|---|-------|
| ①<br>Lens Diameter | 5 | Ø56mm |
|                    | 8 | Ø85mm |

|                  |   |                   |
|------------------|---|-------------------|
| ②<br>Light Style | C | Steady & Flashing |
|------------------|---|-------------------|

|                       |   |          |
|-----------------------|---|----------|
| ③<br>Number of Stacks | 1 | 1 Light  |
|                       | 2 | 2 Lights |
|                       | 3 | 3 Lights |
|                       | 4 | 4 Lights |
|                       | 5 | 5 Lights |

|                   |   |             |
|-------------------|---|-------------|
| ④<br>Power Supply | A | DC/AC 24V   |
|                   | B | AC 110~120V |
|                   | C | AC 220~240V |

|                 |   |                 |
|-----------------|---|-----------------|
| ⑤<br>Connection | L | Lead Wires      |
|                 | T | Screw Terminals |

|                                     |   |        |
|-------------------------------------|---|--------|
| ⑥<br>Lens Colors<br>(top to bottom) | R | Red    |
|                                     | Y | Yellow |
|                                     | G | Green  |
|                                     | B | Blue   |
|                                     | C | Clear  |

### Specifications

| Power Supply  |      | 24V AC/DC              | 110~120V AC | 220~240V AC |
|---------------|------|------------------------|-------------|-------------|
| Current Draw  | Bulb | 1 Stack                | 54 mA       | 28 mA       |
|               |      | 2 Stack                | 109 mA      | 62 mA       |
|               |      | 3 Stack                | 169 mA      | 102 mA      |
|               |      | 4 Stack                | 223 mA      | 136 mA      |
|               |      | 5 Stack                | 275 mA      | 169 mA      |
|               | LED  | Per Stack              | 180 mA      | 35 mA       |
| Buzzer        |      | 30 mA                  |             |             |
| LED Life-Span |      | 10,000 hours (minimum) |             |             |
| Sound Level   |      | 80 dB                  |             |             |
| Flashing rate |      | 80 times/minute        |             |             |
| Rating        |      | NEMA 12, 3R / IP 56    |             |             |
| Approvals     |      | UL, cUL, CE            |             |             |

### Optional Orders

#### Buzzer Kits

MPZ - 56 A

| Power Supply |                          |
|--------------|--------------------------|
| A            | DC/AC 24V, 80dB (30mA)   |
| B            | AC 110~120V, 80dB (30mA) |
| C            | AC 220~240V, 80dB (30mA) |

| Buzzer Size (Diameter) |                         |
|------------------------|-------------------------|
| 56                     | Ø56mm (for MT5C Series) |
| 85                     | Ø85mm (for MT8C Series) |

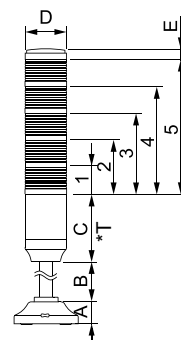
#### Replacement Parts

|      |   |                   |                  |
|------|---|-------------------|------------------|
| LED  |   | LED-T15-D-24-(□)  | DC 24V           |
|      |   | LED-T15-D-110-(□) | AC 110~120V      |
|      |   | LED-T15-D-220-(□) | AC 220~240V      |
| BULB |   | MAB-T15-D-024-10  | DC/AC 24V, 10W   |
|      |   | MAB-T15-D-120-10  | AC 110~120V, 10W |
|      |   | MAB-T15-D-240-10  | AC 220~240V, 10W |
| Lens | - | MAL-5(□)          | Ø56mm            |
|      |   | MAL-8(□)          | Ø85mm            |

(□): indicates color of LED or Lens; R, Y, G, B or C

### Dimensions

unit: mm

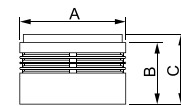


| Symbol | Model |      |
|--------|-------|------|
|        | MT5C  | MT8C |
| A      | 29    | 29   |
| B      | 185   | 185  |
| C      | 95    | 108  |
| *T     | 173   | 188  |
| D      | 56    | 85   |
| E      | 15    | 15   |
| 1      | 68    | 68   |
| 2      | 136   | 136  |
| 3      | 204   | 204  |
| 4      | 272   | 272  |
| 5      | 340   | 340  |

\*T: Terminal board style

#### Buzzer Kit

MPZ-56  
MPZ-85



| Symbol | MPZ-56 | MPZ-85 |
|--------|--------|--------|
| A      | 56     | 86     |
| B      | 48     | 50     |
| C      | 54     | 56     |

See Page 13-14  
for Mounting Options and Accessories

# MT4B/5B/8B Ø45mm / Ø56mm / Ø86mm Steady

## TOWER LIGHTS



### Incandescent or LED

- Optional LED bulbs available (12VDC & 24VDC ONLY)
- Long life and reliability
- Prism-cut lenses for even light distribution
- Surface, Pole or Wall Mounted  
(Order poles & bases separately)
- Wire leads or Terminal connection
- NEMA 12, 3R / IP56 rated



### Order Information

|                                      |          |          |             |          |           |          |              |
|--------------------------------------|----------|----------|-------------|----------|-----------|----------|--------------|
| <b>MT</b>                            | <b>4</b> | <b>B</b> | <b>5</b>    | <b>A</b> | <b>L</b>  | <b>-</b> | <b>RYGBC</b> |
|                                      | ①        | ②        | ③           | ④        | ⑤         |          | ⑥            |
| <b>① Lens Diameter</b>               |          | <b>4</b> | Ø45mm       | <b>5</b> | Ø56mm     | <b>8</b> | Ø85mm        |
| <b>② Light Style</b>                 |          | <b>B</b> | Steady      |          |           |          |              |
| <b>③ Number of Stacks</b>            |          | <b>1</b> | 1 Light     | <b>2</b> | 2 Lights  | <b>3</b> | 3 Lights     |
|                                      |          | <b>4</b> | 4 Lights    | <b>5</b> | 5 Lights  |          |              |
| <b>④ Power Supply</b>                |          | <b>D</b> | DC/AC 12V   | <b>A</b> | DC/AC 24V | <b>B</b> | AC 110~120V  |
|                                      |          | <b>C</b> | AC 220~240V |          |           |          |              |
| <b>⑤ Connection</b>                  |          | <b>L</b> | Lead Wires  |          |           |          |              |
| <b>⑥ Lens Colors (top to bottom)</b> |          | <b>R</b> | Red         | <b>Y</b> | Yellow    | <b>G</b> | Green        |
|                                      |          | <b>B</b> | Blue        | <b>C</b> | Clear     |          |              |

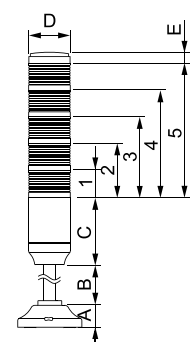
### Optional Orders

#### Replacement Parts

| Model            | Part      | Part Number       | Voltage          |
|------------------|-----------|-------------------|------------------|
| MT4B             | LED       | LED-T09-S-12-(□)  | DC 12V           |
|                  |           | LED-T09-S-24-(□)  | DC 24V           |
|                  | BULB      | MAB-T09-S-012-05  | DC/AC 12V, 5W    |
|                  |           | MAB-T09-S-024-05  | DC/AC 24V, 5W    |
|                  |           | MAB-T09-S-130-05  | AC 110~120V, 5W  |
| MAB-T09-S-240-05 |           | AC 220~240V, 5W   |                  |
| Lens             | MAL-4-(□) | Ø45mm             |                  |
| MT5B<br>MT8B     | LED       | LED-T15-D-12-(□)  | DC 12V           |
|                  |           | LED-T15-D-24-(□)  | DC 24V           |
|                  |           | LED-T15-D-110-(□) | AC 110~120V      |
|                  |           | LED-T15-D-220-(□) | AC 220~240V      |
|                  | BULB      | MAB-T15-D-012-10  | DC/AC 12V, 10W   |
|                  |           | MAB-T15-D-024-10  | DC/AC 24V, 10W   |
|                  |           | MAB-T15-D-120-10  | AC 110~120V, 10W |
|                  |           | MAB-T15-D-240-10  | AC 220~240V, 10W |
|                  | Lens      | MAL-5-(□)         | Ø56mm            |
|                  |           | MAL-8-(□)         | Ø86mm            |

(□): indicates color of LED or Lens; R, Y, G, B or C

### Dimensions



unit: mm

| Symbol | Model |      |      |
|--------|-------|------|------|
|        | MT4B  | MT5B | MT8B |
| A      | 29    | 29   | 29   |
| B      | 185   | 185  | 185  |
| C      | 72    | 95   | 108  |
| D      | 45    | 56   | 86   |
| E      | 10.5  | 15   | 15   |
| 1      | 46    | 68   | 68   |
| 2      | 92    | 136  | 136  |
| 3      | 138   | 204  | 204  |
| 4      | 184   | 272  | 272  |
| 5      | 230   | 340  | 340  |

### Specifications

| Power Supply  | 12V AC/DC       | 24V AC/DC | 100-220V AC |
|---------------|-----------------|-----------|-------------|
| Current Draw  | 1 Stack         | 41 mA     | 28 mA       |
|               | 2 Stack         | 89 mA     | 60 mA       |
|               | 3 Stack         | 149 mA    | 99 mA       |
|               | 4 Stack         | 204 mA    | 131 mA      |
|               | 5 Stack         | 240 mA    | 163 mA      |
| Flashing rate | 80 times/minute |           |             |
| Rating        | IP 56           |           |             |

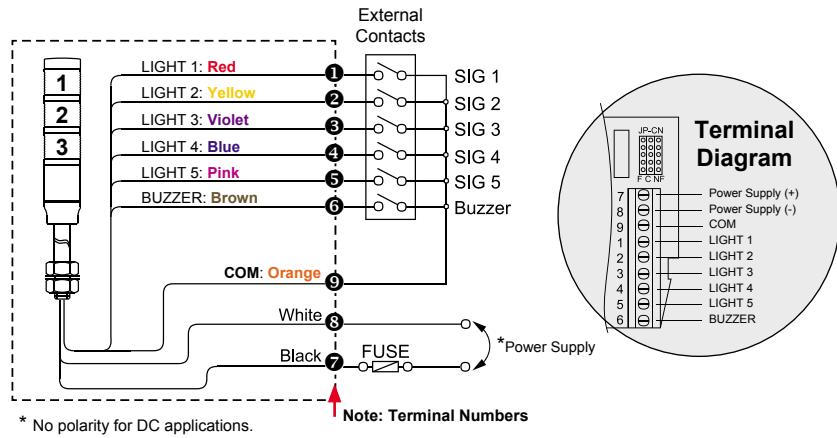
See Page 13-14 for Mounting Options and Accessories

# MT5C/8C & MT4B/5B/8B Wiring Diagram

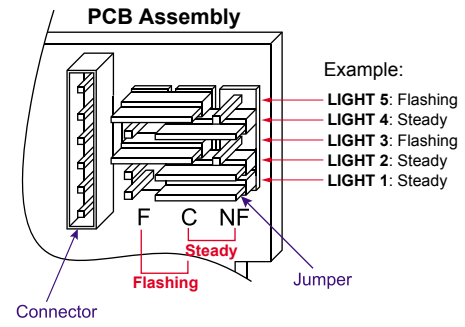
## MT5C/8C

**DC/AC 24V**  
Steady or Flashing (with Buzzer)

MT5C□AL-□□□□ MT8C□AL-□□□□  
MT5C□AT-□□□□ MT8C□AT-□□□□

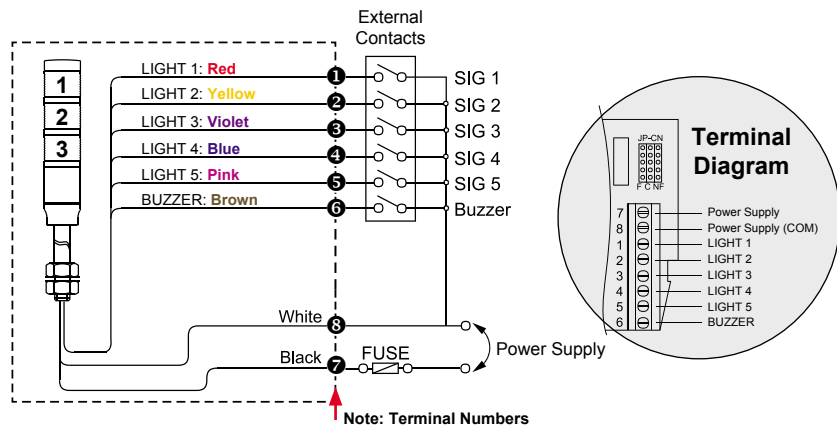


### Steady/Flashing Selection



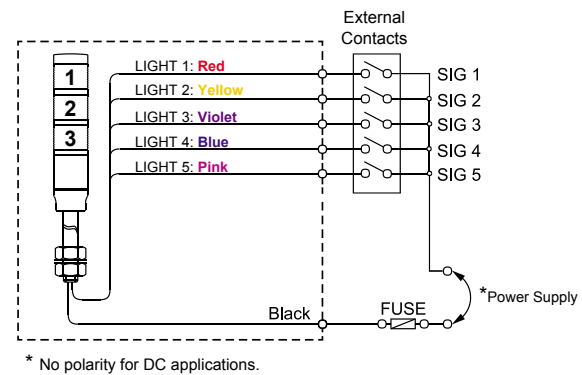
**AC 110~120V**  
**AC 220~240V**  
Steady or Flashing Lights (with Buzzer)

MT5C□BL-□□□□ MT8C□BL-□□□□  
MT5C□BT-□□□□ MT8C□BT-□□□□  
MT5C□CL-□□□□ MT8C□CL-□□□□  
MT5C□CT-□□□□ MT8C□CT-□□□□



## MT4B/5B/8B

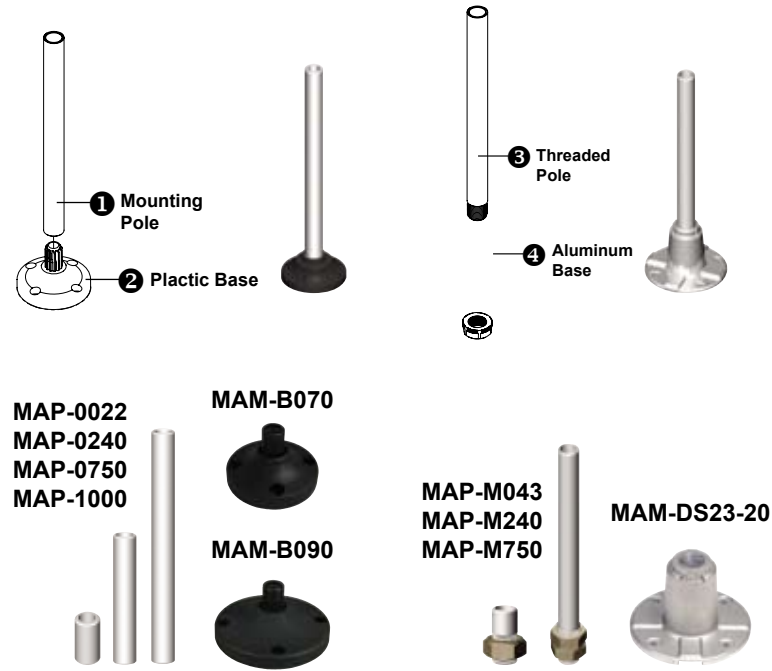
**AC/DC 12V** **AC 110~120V**  
**AC/DC 24V** **AC 220~240V**  
Steady Lights





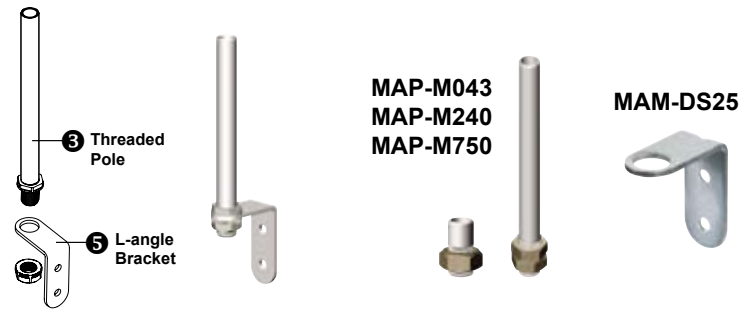
**Pole Mounting with Base**

| Part | Part #      | Description                                       |
|------|-------------|---|
| 1    | MAP-0022    | Ø20mm, 0.87 in (22 mm) pole                       |
|      | MAP-0240    | Ø20mm, 9.45 in (240 mm) pole                      |
|      | MAP-0750    | Ø20mm, 29.53 in (750 mm) pole                     |
|      | MAP-1000    | Ø20mm, 39.37 in (1000 mm) pole                    |
| 2    | MAM-B070    | Ø70mm Plastic Base                                |
|      | MAM-B090    | Ø90mm Plastic Base                                |
| 3    | MAP-M043    | Ø20mm, 1.69 in (43 mm) threaded pole with 1 nut   |
|      | MAP-M240    | Ø20mm, 9.45 in (240 mm) threaded pole with 2 nuts |
|      | MAP-M750    | Ø20mm, 29.53 in (750 mm) threaded pole with 1 nut |
| 4    | MAM-DS23-20 | Aluminum Base                                     |



**L-angle Mounting with Bracket**

| Part | Part #   | Description                                       |
|------|----------|---|
| 3    | MAP-M043 | Ø20mm, 1.69 in (43 mm) threaded pole with 1 nut   |
|      | MAP-M240 | Ø20mm, 9.45 in (240 mm) threaded pole with 2 nuts |
|      | MAP-M750 | Ø20mm, 29.53 in (750 mm) threaded pole with 1 nut |
| 5    | MAM-DS25 | L-angle Bracket                                   |



**Wall Mounting with Bracket**

| Part | Part #       | Description   |
|------|--------------|---|
| 1    | MAP-0022     | Ø20mm, 0.87 in (22 mm) pole                                 |
|      | MAP-0240     | Ø20mm, 9.45 in (240 mm) pole                                |
|      | MAP-0750     | Ø20mm, 29.53 in (750 mm) pole                               |
|      | MAP-1000     | Ø20mm, 39.37 in (1000 mm) pole                              |
| 2    | MAM-B070     | Plastic Base  |
| 6    | MAM-DS30-BLK | Plastic Wall Mounting Bracket, Black (Pole & Base required) |
|      | MAM-DS30-BGE | Plastic Wall Mounting Bracket, Beige (Pole & Base required) |
|      | MAM-DS40-BLK | Plastic Wall Mounting Bracket, Black (Pole required)        |
|      | MAM-DS40-BGE | Plastic Wall Mounting Bracket, Beige (Pole required)        |
|      | MAM-DS28     | Metal Wall Mounting Bracket (Pole & Base required)          |



**NPT Mounting with NPT Adaptor**



# Accessories

## Mounting Poles

MAP-0022  
MAP-0240  
MAP-0750  
MAP-1000

| Model    | L (mm) |
|----------|--------|
| MAP-0022 | 22     |
| MAP-0240 | 240    |
| MAP-0750 | 750    |
| MAP-1000 | 1000   |

## Threaded Poles

MAP-M043

MAP-M240  
MAP-M750

| Model    | L (mm) |
|----------|--------|
| MAP-M240 | 240    |
| MAP-M750 | 750    |

## NPT Adaptor

MAP-NPT1/2

## Mounting Bases

MAM-B070

MAM-B090

MAM-DS23-20

## Wall Mount Brackets

MAM-DS25

MAM-DS30

MAM-DS40

MAM-DS26

MAM-DS27

MAM-DS28

# MS86 Ø86mm LED Steady & Flashing / Xenon Strobe Lights

## SIGNAL LIGHTS



- Ultra bright LED or Xenon lights
- Wide light distribution with prism-cut dome-shaped lens
- Outstanding visibility at distance
- Selectable Steady or Flashing Modes for LED lights
- PCB module style Xenon lamp
- Fast and easy replacement of lamp
- Red, Yellow, Green, Blue and lens available
- IP65 rated



### Order Information

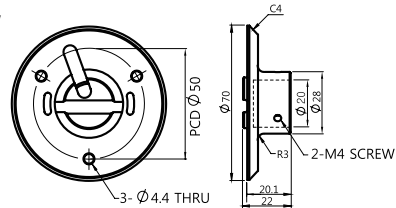
|              |   |           |          |          |
|--------------|---|-----------|----------|----------|
| <b>MS86</b>  | <b>L-F</b>                                | <b>02</b> | <b>-</b> | <b>R</b> |
| Lens Colors  |   |           |          |          |
| <b>R</b>     | Red                                       |           |          |          |
| <b>Y</b>     | Yellow                                    |           |          |          |
| <b>G</b>     | Green                                     |           |          |          |
| <b>B</b>     | Blue                                      |           |          |          |
| <b>C</b>     | Clear                                     |           |          |          |
| Power Supply |   |           |          |          |
| <b>02</b>    | AC/DC 12~24V<br>(AC/DC 24V for LED Style) |           |          |          |
| <b>10</b>    | AC 110V                                   |           |          |          |
| Light Style  |   |           |          |          |
| <b>L-F</b>   | LED Steady & Flashing                     |           |          |          |
| <b>L-B</b>   | LED Steady & Flashing with Buzzer         |           |          |          |
| <b>S-SD</b>  | Xenon Strobe                              |           |          |          |

### Optional Orders

#### Pole Mount Adaptor



MAM-DS31



Pole Mounting Example

#### Wall Mount Brackets



MAM-DS30-BLK (Black)  
MAM-DS30-BGE (Beige)



MAM-DS26

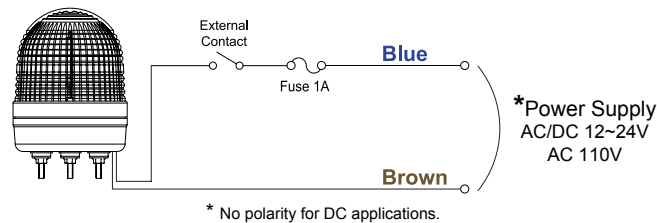
#### Replacement Parts

|                  |                      |              |
|------------------|----------------------|--------------|
| Xenon PCB Module | <b>MS86S-LAMP-02</b> | AC/DC 12~24V |
|                  | <b>MS86S-LAMP-10</b> | AC 110V      |
| Lens             | <b>LENS-MS86-(□)</b> | Dome Lens    |

(□): indicates color of Lens; R, Y, G, B or C

**NOTE:** See Page 13 & 14 for Mounting Options and Dimensions.

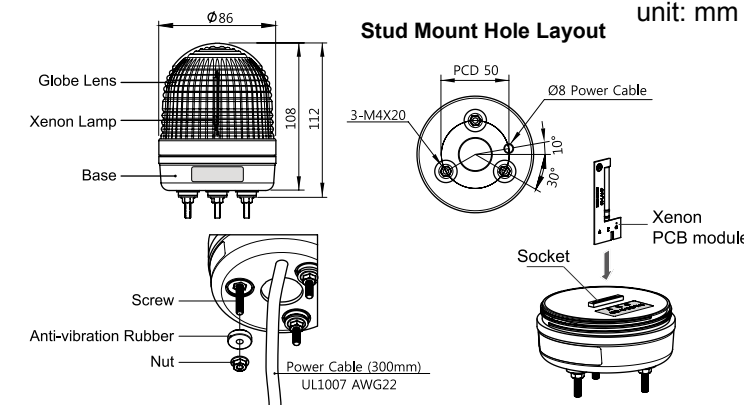
### Wiring Diagram



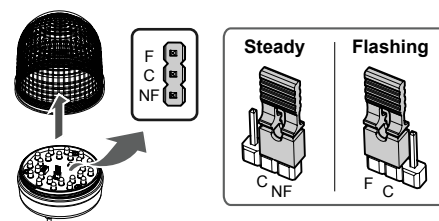
### Specifications

|                           |   |              |                          |            |
|---------------------------|---|--------------|--------------------------|------------|
| Model                     | MS86L   |              | MS86S                    |            |
| Style                     | LED Steady/Flashing                           |              | Xenon Strobe             |            |
| Power Supply              | AC/DC 24V                                     | AC 110V      | AC/DC 12-24V             | AC 110V    |
| Current Consumption       | Red 120mA                                     | Yellow 120mA | Green 140mA              | Blue 140mA |
|                           | Blue 140mA                                    | Clear 140mA  | max. dash current: 600mA | 220mA      |
|                           |   |              |                          | 6W         |
| Flash (Strobe Pulse) Rate | 80 time/minute ± 3%                           |              | 60 times/minute ± 3%     |            |
| Sound Level               | max. 85dB at 1m                               |              | —                        |            |
| Dielectric Strength       | 500VAC for 1 min.                             |              |                          |            |
| Vibration                 | 15~55 Hz; xyz/60min (70m/s <sup>2</sup> , 7G) |              |                          |            |
| Insulation Resistance     | 1MΩ (at 500VDC mega)                          |              |                          |            |
| Ambient Temperature       | -30~40°C                                      |              | -20~70°C                 |            |
| Storage Temperature       | -25~85°C                                      |              |                          |            |
| Ambient Humidity          | 45~85% RH                                     |              |                          |            |
| Degree of Protection      | IP65 (IP52 with Buzzer)                       |              | IP65                     |            |
| Recommended Wire Size     | PUR Ø5/PVC Ø5 2P/0.3SQ                        |              |                          |            |
| Weight                    | 0.3kg ± 5%                                    |              |                          |            |

### Dimensions



### LED Light Steady/Flashing Selection



# ML Ø66mm Rotating/Flashing/Strobe Beacons

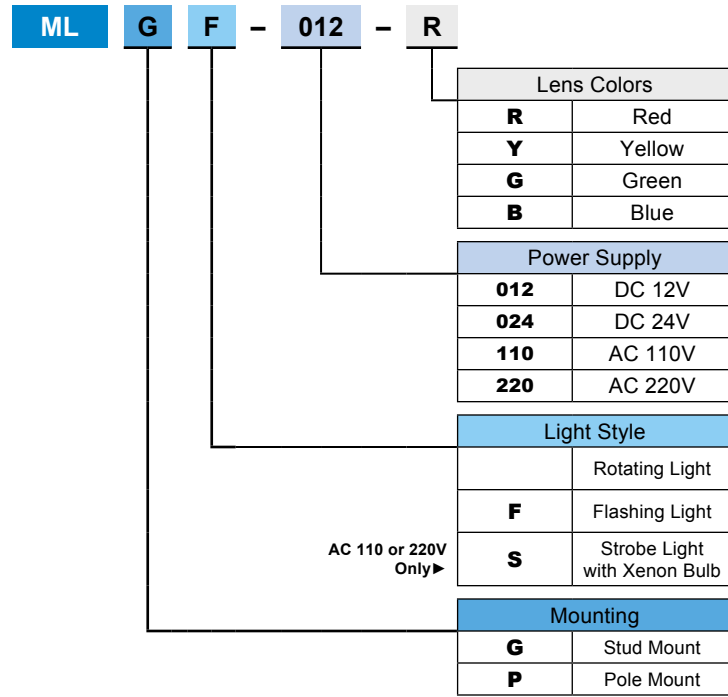


## SIGNAL LIGHTS



- Incandescent or Xenon type
- Red, Yellow, Green and Blue lens available
- Smooth or Prism lens
- Stud or Pole mounted
- Wide range of power supply

### Order Information

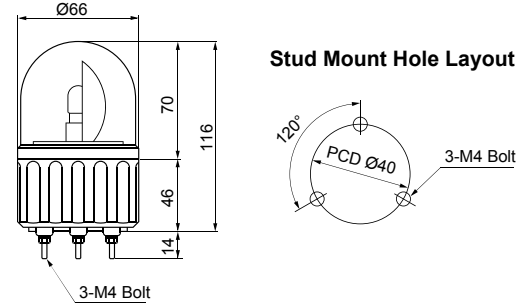


### Specifications

| Model                  | MLG/MLP                      | MLGF/MLPF       | MLGS/MLPS      |
|------------------------|------------------------------|-----------------|----------------|
| Bulb Type              | Incandescent                 |                 | Xenon          |
| Power Supply           | 12VDC, 24VDC, 110VAC, 220VAC |                 | 110VAC, 220VAC |
| Current Draw & Wattage | 12VDC                        | 0.7A, 8W        | —              |
|                        | 24VDC                        | 0.3A, 8W        | —              |
|                        | 110VAC                       | 0.7A, 8W        | 0.22A, 6W      |
|                        | 220VAC                       | 0.03A, 8W       | 0.11A, 6W      |
| Rotation Rate          | 130 times/minute             | —               |                |
| Flashing rate          | —                            | 80 times/minute |                |

### Dimensions

unit: mm



### Optional Orders

#### Replacement Parts

|            |                   |                                       |
|------------|-------------------|---------------------------------------|
| Bulb       | MAB-T15-S-012-08  | 12V DC, 8 Watt                        |
|            | MAB-T15-S-024-08  | 24V DC, 8 Watt                        |
|            | MAB-T15-S-130-08  | 110V AC, 8 Watt                       |
|            | MAB-T15-S-240-08  | 220V AC, 8 Watt                       |
| Xenon Bulb | MAB-STROBE-110-06 | 110/220V AC, 6 Watt                   |
| Lens       | LENS-MLG-(□)      | Smooth Lens for Rotating Lights       |
|            | LENS-MLGF/S-(□)   | Prism Lens for Flashing/Strobe Lights |

(□): indicates color of Lens; R, Y, G or B

#### Wall Mount Brackets



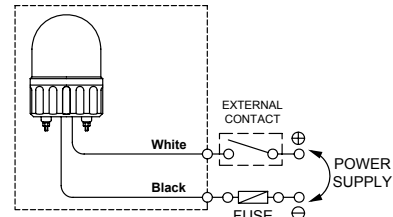
MAM-DS30-BLK (Black)  
MAM-DS30-BGE (Beige)

NOTE: See Page 14 for Dimensions.

### Wiring Diagram

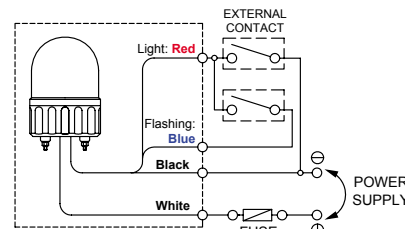
#### Rotating & Strobe Lights

MLG-□□□□ MLGS-□□□□  
MLP-□□□□ MLPS-□□□□



#### Flashing Lights

MLGF-□□□□ MLPF-□□□□





# ASG Ø86mm Rotating/Flashing/Strobe Beacons with Buzzer

## SIGNAL LIGHTS

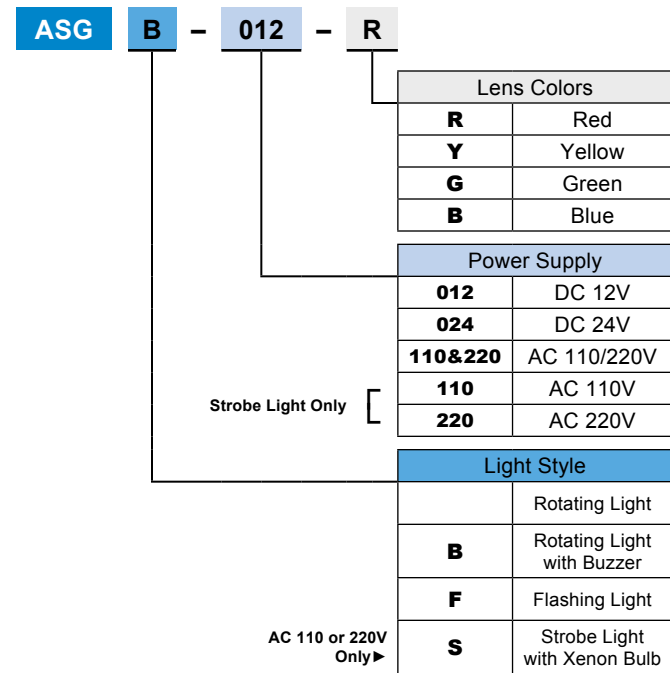


- Incandescent or Xenon type
- Red, Yellow, Green and Blue lens available
- Smooth lens
- Stud mounted
- Optional Wall Mounting Brackets available
- Wide range of power supply

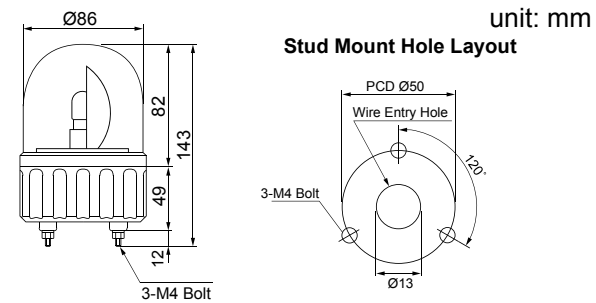
### Specifications

| Model                  | ASG/ASGB                 | ASGF            | ASGS           |
|------------------------|--------------------------|-----------------|----------------|
| Bulb Type              | Incandescent             |                 | Xenon          |
| Power Supply           | 12VDC, 24VDC, 110/220VAC |                 | 110VAC, 220VAC |
| Current Draw & Wattage | 12VDC                    | 0.7A, 8W        | —              |
|                        | 24VDC                    | 0.3A, 8W        | —              |
|                        | 110/220VAC               | 0.03A, 5W       | —              |
|                        | 110VAC                   | —               | 0.22A, 6W      |
|                        | 220VAC                   | —               | 0.11A, 6W      |
| Sound Level            | 80 dB                    | —               |                |
| Rotation Rate          | 130 times/minute         | —               |                |
| Flashing rate          | —                        | 80 times/minute |                |

### Order Information



### Dimensions



### Optional Orders

#### Replacement Parts

|            |                   |  |
|------------|-------------------|--|
| Bulb       | MAB-T15-S-012-08  | 12V DC, 8 Watt                         |
|            | MAB-T15-S-024-08  | 24V DC, 8 Watt                         |
|            | MAB-T15-S-012-05  | 110/220V AC, 5 Watt                    |
| Xenon Bulb | MAB-STROBE-110-06 | 110/220V AC, 6 Watt                    |
| Lens       | LENS-ASG-(□)      | Smooth Lens for Rotating Lights        |
|            | LENS-ASGF-(□)     | Smooth Lens for Flashing/Strobe Lights |

(□): indicates color of Lens; R, Y, G or B

#### Wall Mount Brackets



MAM-DS30-BLK (Black)  
MAM-DS30-BGE (Beige)

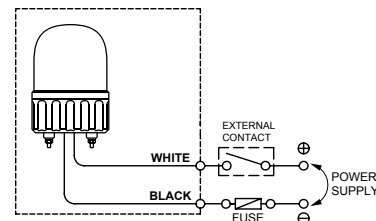
MAM-DS26

NOTE: See Page 14 for Dimensions.

### Wiring Diagram

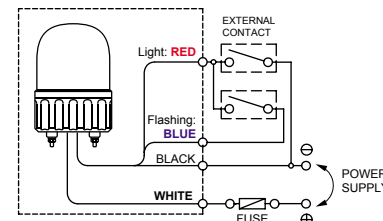
#### DC Rotating Lights

ASG-012-□ ASGB-012-□  
ASG-024-□ ASGB-024-□



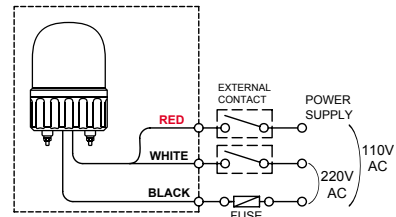
#### DC & AC Flashing Lights

ASGF-012-□ ASGF-110&220-□  
ASGF-024-□



#### AC Rotating & Strobe Lights

ASG-110&220-□ ASGS-110-□  
ASGB-110&220-□ ASGS-220-□



# AVG Ø135mm Rotating Beacons with Buzzer

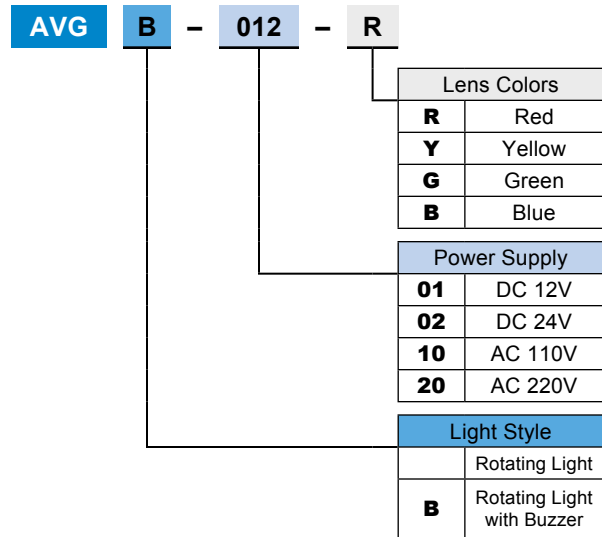


## SIGNAL LIGHTS



- Incandescent type
- Red, Yellow, Green and Blue lens available
- Smooth lens
- Large rotating reflector
- Long life
- Stud mounted
- Optional Wall Mounting Bracket (MAM-DS27) available
- Buzzer (80dB) model available

### Order Information

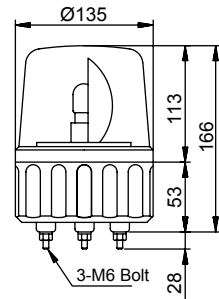


### Specifications

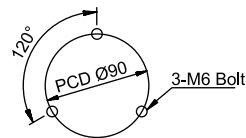
| Model                  | AVG                          | AVGB       |
|------------------------|------------------------------|------------|
| Bulb Type              | Incandescent                 |            |
| Power Supply           | 12VDC, 24VDC, 110VAC, 220VAC |            |
| Current Draw & Wattage | 12VDC                        | 2.08A, 25W |
|                        | 24VDC                        | 1.04A, 25W |
|                        | 110VAC                       | 0.22A, 25W |
|                        | 220VAC                       | 0.11A, 25W |
| Sound Level            | —                            | 80 dB      |
| Rotation Rate          | 150 times/minute             |            |

### Dimensions

unit: mm



#### Stud Mount Hole Layout



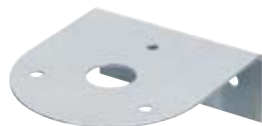
### Optional Orders

#### Replacement Parts

|      |                         |                                 |
|------|-------------------------|---------------------------------|
| Bulb | <b>MAB-T15-D-012-25</b> | 12V DC, 25 Watt                 |
|      | <b>MAB-T15-D-024-25</b> | 24V DC, 25 Watt                 |
|      | <b>MAB-T15-D-130-25</b> | 110V AC, 25 Watt                |
|      | <b>MAB-T15-D-240-25</b> | 220V AC, 25 Watt                |
| Lens | <b>LENS-AVG-(□)</b>     | Smooth Lens for Rotating Lights |

(□): indicates color of Lens; R, Y, G or B

#### Wall Mount Brackets



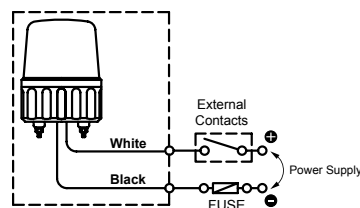
MAM-DS27

**NOTE:** See Page 14 for Dimensions.

### Wiring Diagram

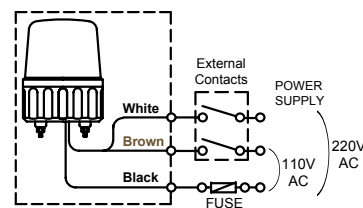
#### DC 12V & DC 24V

AVG-01-□ AVGB-01-□  
AVG-02-□ AVGB-02-□



#### AC 110V & AC 220V

AVG-10-□ AVGB-10-□  
AVG-20-□ AVGB-20-□



# MSGS Rotating Beacon Tower with Audible Alarm



## SIGNAL LIGHTS

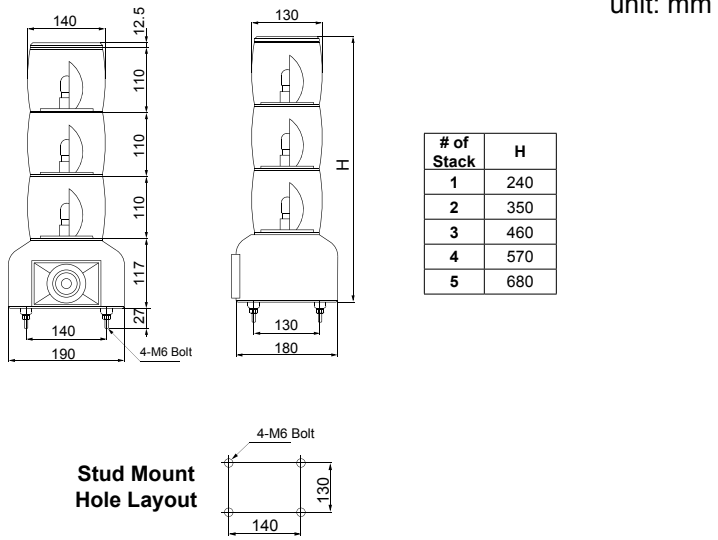


- Incandescent type
- Outstanding visibility by magnified lens
- Red, Yellow, Green, Blue or Clear lens available
- Large rotating reflector
- Selectable audio sounds: melody, two tone and siren (100dB)
- Stud mounted

### Specifications

|                        |                              |            |
|------------------------|------------------------------|------------|
| Model                  | MSGS                         |            |
| Bulb Type              | Incandescent                 |            |
| Power Supply           | 12VDC, 24VDC, 110VAC, 220VAC |            |
| Current Draw & Wattage | 12VDC                        | 2.08A, 25W |
|                        | 24VDC                        | 1.04A, 25W |
|                        | 110VAC                       | 2.08A, 25W |
|                        | 220VAC                       | 2.08A, 25W |
| Rotation Rate          | 150 times/minute             |            |

### Dimensions



### Order Information

MSGS - 012 - 5 - RYGB

| Lens Colors (top to bottom) |        |
|-----------------------------|--------|
| <b>R</b>                    | Red    |
| <b>Y</b>                    | Yellow |
| <b>G</b>                    | Green  |
| <b>B</b>                    | Blue   |
| <b>C</b>                    | Clear  |

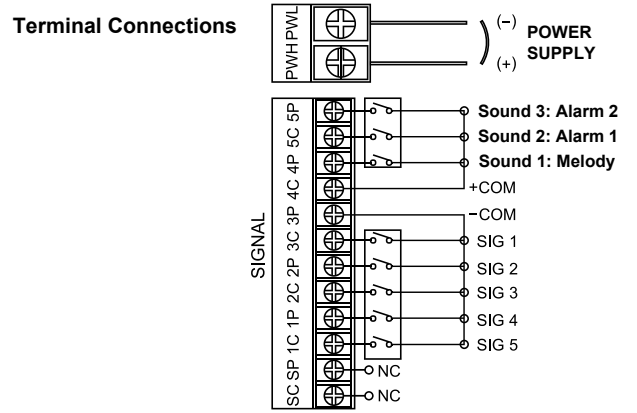
  

| Number of Stacks |          |
|------------------|----------|
| <b>1</b>         | 1 Light  |
| <b>2</b>         | 2 Lights |
| <b>3</b>         | 3 Lights |
| <b>4</b>         | 4 Lights |
| <b>5</b>         | 5 Lights |

| Power Supply |         |
|--------------|---------|
| <b>012</b>   | DC 12V  |
| <b>024</b>   | DC 24V  |
| <b>110</b>   | AC 110V |
| <b>220</b>   | AC 220V |

### Wiring Diagram



### Optional Orders

| Replacement Parts |                  |                  |
|-------------------|------------------|------------------|
| Bulb              | MAB-T15-D-012-25 | 12V DC, 25 Watt  |
|                   | MAB-T15-D-024-25 | 24V DC, 25 Watt  |
|                   | MAB-T15-D-130-25 | 110V AC, 25 Watt |
|                   | MAB-T15-D-240-25 | 220V AC, 25 Watt |
| Lens              | LENS-MSGS-(□)    | Lens             |

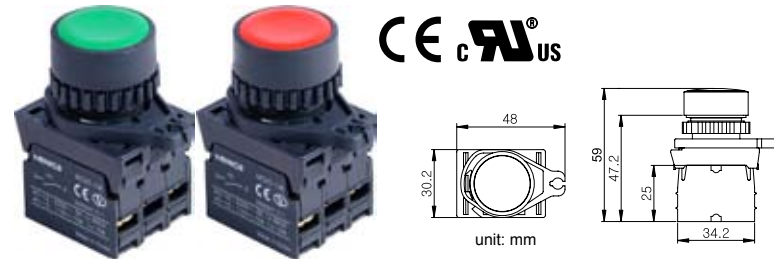
(□): indicates color of Lens; R, Y, G, B or C

\*CAUTION: Do not operate more than one light at a time. It can cause over heat on transformers.

# MC2 Ø22mm Push Buttons & Control Switches

## Momentary Push Buttons

- Momentary Push
- Single Normally Open contact
- Flush Mount Accessory and Water Proof Protector available



MC2 - **P** **R** - **A**

| CONTACT BLOCK |                       |
|---------------|-----------------------|
| <b>A</b>      | NO Contact            |
| <b>B</b>      | NC Contact            |
| COLOR         |                       |
| <b>R</b>      | RED                   |
| <b>Y</b>      | YELLOW                |
| <b>G</b>      | GREEN                 |
| <b>B</b>      | BLUE                  |
| <b>K</b>      | BLACK                 |
| STYLE         |                       |
| <b>P</b>      | Momentary Push Button |

## Illuminated Push Buttons

- Momentary Push
- Single Normally Open contact included
- AC/DC LED configuration in various colors
- Flush Mount Accessory and Water Proof Protector available

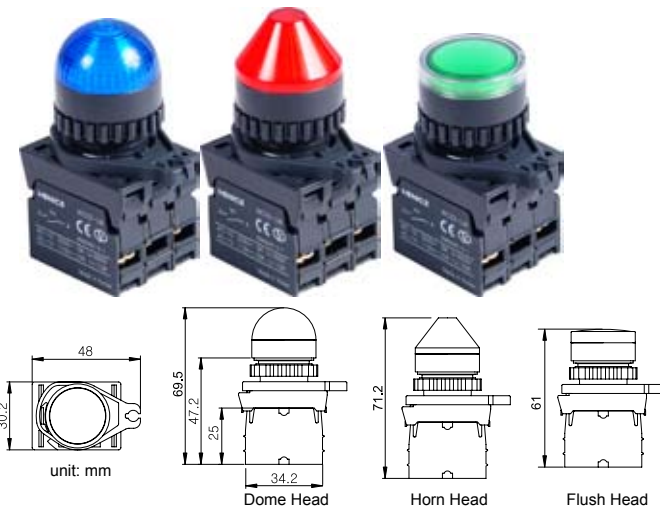


MC2 - **LPS** **R** - **A** **D**

| LED           |                         |
|---------------|-------------------------|
| <b>D</b>      | 12~30V DC/AC LED        |
| <b>L</b>      | 110~220V AC LED         |
| CONTACT BLOCK |                         |
| <b>A</b>      | NO Contact              |
| <b>B</b>      | NC Contact              |
| COLOR         |                         |
| <b>R</b>      | RED                     |
| <b>Y</b>      | YELLOW                  |
| <b>G</b>      | GREEN                   |
| <b>B</b>      | BLUE                    |
| <b>C</b>      | CLEAR                   |
| STYLE         |                         |
| <b>LPS</b>    | Illuminated Push Button |

## Pilot Lamps

- LED illumination with clear visibility
- AC/DC LED configuration in various colors



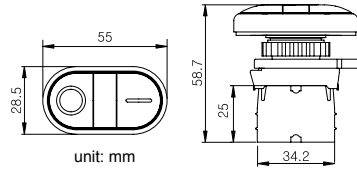
MC2 - **PI** **D** **R** - **D**

| LED        |                  |
|------------|------------------|
| <b>D</b>   | 12~30V DC/AC LED |
| <b>L</b>   | 110~220V AC LED  |
| COLOR      |                  |
| <b>R</b>   | RED              |
| <b>Y</b>   | YELLOW           |
| <b>G</b>   | GREEN            |
| <b>B</b>   | BLUE             |
| <b>C</b>   | CLEAR            |
| HEAD STYLE |                  |
| <b>D</b>   | Dome Head        |
| <b>H</b>   | Horn Head        |
| <b>F</b>   | Flush Head       |
| STYLE      |                  |
| <b>PI</b>  | Pilot Lamp       |



## Double Push Buttons

- Momentary Push
- Normally Open and Normally Closed contact blocks
- LED illumination

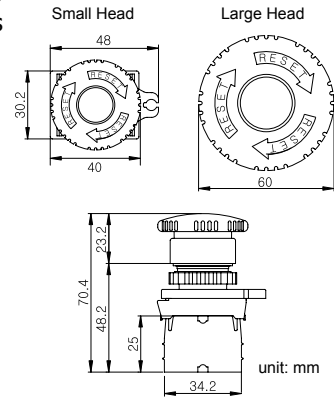


MC2 - **2P** **RG** - **AB** **D**

| LED            |                              |
|----------------|------------------------------|
| <b>D</b>       | 12~30V DC/AC LED             |
| <b>L</b>       | 110~220V AC LED              |
| CONTACT BLOCKS |                              |
| <b>AB</b>      | 1 NO Contact<br>1 NC Contact |
| COLOR          |                              |
| <b>RG</b>      | Red & Green                  |
| STYLE          |                              |
| <b>2P</b>      | Double Push Button           |

## Emergency Stops

- Ø40 or Ø60mm Mushroom heads
- Push Lock & Twist-to-release
- Illuminated or non-illuminated styles
- UL, cUL, CE approved contact blocks

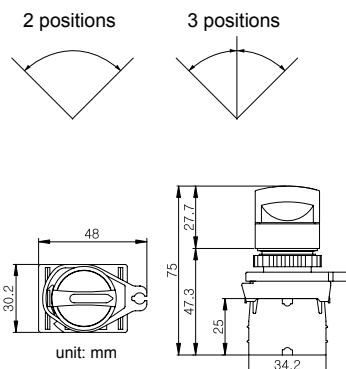


MC2 - **E** **S** **R** - **B** **D**

| LED           |                            |
|---------------|----------------------------|
|               | Non-Illumination           |
| <b>D</b>      | 12~30V DC/AC LED           |
| <b>L</b>      | 110~220V AC LED            |
| CONTACT BLOCK |                            |
| <b>B</b>      | NC Contact                 |
| COLOR         |                            |
| <b>R</b>      | RED                        |
| HEAD          |                            |
| <b>S</b>      | Small Head (Ø40mm)         |
| <b>L</b>      | Large Head (Ø60mm)         |
| STYLE         |                            |
| <b>E</b>      | Emergency Stop             |
| <b>LE</b>     | Illuminated Emergency Stop |

## Selector Switches

- Available in 2 or 3 position selection
- Fixed Position or Auto Spring Return Styles



MC2 - **S** **S** **W2** **S** - **A**

| CONTACT BLOCK       |                                   |
|---------------------|-----------------------------------|
| <b>A</b>            | 2 Positions<br>Single NO contact  |
| <b>AA</b>           | 3 Positions<br>Double NO contacts |
| Function            |                                   |
| <b>S</b>            | Fixed Position                    |
| <b>M</b>            | Auto Spring Return                |
| Number of Positions |                                   |
| <b>W2</b>           | 2 Positions 90°                   |
| <b>W3</b>           | 3 Positions 45°                   |
| Selector Head       |                                   |
| <b>S</b>            | Knob                              |
| <b>L</b>            | Lever                             |
| STYLE               |                                   |
| <b>S</b>            | Selector Switch                   |

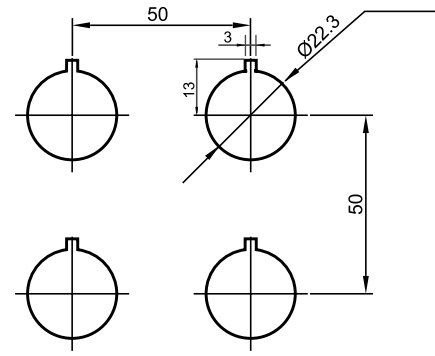
## Buzzers

- Selectable Continuous and Intermittent Sound
- LED Illumination
- AC/DC 12~30V rated

### MC2-B-D



### Ø22 Push Button Mounting Hole Layout & Panel Cutout



## Contact Blocks

| Model            | NO Contact               | MC22-UA | NC Contact | MC22-UB |
|------------------|--------------------------|---------|------------|---------|
| Appearance       |                          |         |            |         |
| Contact Capacity | 110 VAC 10A / 220 VAC 5A |         |            |         |
| Approval         | CE c RU <sup>us</sup>    |         |            |         |

## LEDs

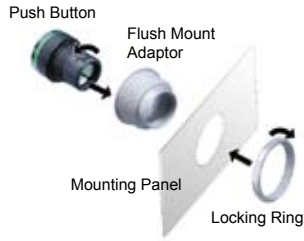
| Model               | DC/AC LED             | MC22-UA | AC LED      | MC22-UB |
|---------------------|-----------------------|---------|-------------|---------|
| Appearance          |                       |         |             |         |
| Operating Voltage   | DC/AC 12~30V          |         | AC 110~220V |         |
| Current Consumption | 4~10mA                |         | 4~10mA      |         |
| LED Life            | 50,000 hours          |         |             |         |
| Approval            | CE c RU <sup>us</sup> |         |             |         |

## Specifications

| Control Switches   |             | Push Buttons                  | Illuminated Push Buttons | Pilot Lamps | Selector Switches | Emergency Stops | Double Push Buttons | Buzzer        |                          |  |
|--|-------------|-------------------------------|--------------------------|-------------|-------------------|-----------------|---------------------|---------------|--------------------------|--|
| Model  |             | MC2-P                         | MC2-LP                   | MC2-PI      | MC2-S             | MC2-E           | MC2-2P              | MC2-B-D       |                          |  |
| Life   | Mechanical  | 50,000 times (20 times/min)   |                          |             |                   |                 |                     | Rated Voltage | AC/DC 12~30V             |  |
|  | Electrical  | 100,000 times (20 times/min)  |                          |             |                   |                 |                     | Current       | 60mA                     |  |
|  |             |                               |                          |             |                   |                 |                     | Sound Level   | 85dB @ 0.1m<br>75dB @ 1m |  |
| Protection Degree  |             | IP52                          |                          |             |                   |                 | IP50                | IP40          |                          |  |
| Initial Contact Resistance   |             | 20MΩ maximum                  |                          |             |                   |                 |                     |               |                          |  |
| Insulation Resistance  |             | Min.100MΩ                     |                          |             |                   |                 |                     | Min.50MΩ      |                          |  |
| Operation Frequency  |             | Max. 30 times/min             |                          |             |                   |                 |                     | 2~3 times/sec |                          |  |
| Impact   | Endurance   | Min. 500m/s <sup>2</sup>      |                          |             |                   |                 |                     |               |                          |  |
|  | No movement | Min. 100m/s <sup>2</sup>      |                          |             |                   |                 |                     |               |                          |  |
| Vibration  |             | 10~55Hz with 3mm pick to pick |                          |             |                   |                 |                     |               |                          |  |
| Operating Temperature: -15~40°C    Operating Humidity: 45~85%RH    Storage Temperature: -40~70°C |             |                               |                          |             |                   |                 |                     |               |                          |  |

# Accessories

## Flush Mount Adaptor



| MC22-FP                      | MC22-FL                                    |
|------------------------------|--|
|                              |  |
| for Push Buttons<br>MC2-P□-□ | for Illuminated Push Buttons<br>MC2-LP□-□□ |

## Water Proof Cap



| MW-25P                       | MW-25L                                     |
|------------------------------|--|
|                              |  |
| for Push Buttons<br>MC2-P□-□ | for Illuminated Push Buttons<br>MC2-LP□-□□ |

## E-Stop Accessories

| Nameplates |         | Shroud      |             |             |
|------------|---------|-------------|-------------|-------------|
| MP-25-S    | MP-25-L | MPC-KA-LD22 | MPC-KA-LD25 | MPC-KA-LD30 |
|            |         | Ø22mm       | Ø25mm       | Ø30mm       |
|            |         |             |             |             |

## Locking Ring Wrench



| MC-P100 |
|---------|
|         |

## Switch Boxes

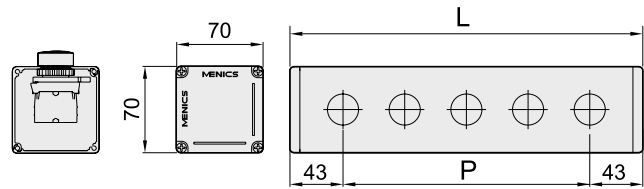
### Aluminum Boxes



MB70 - **S** - **01**

| NUMBER OF HOLES |                    |
|-----------------|--------------------|
| 01              | 1 Hole             |
| 02              | 2 Holes            |
| 03              | 3 Holes            |
| 04              | 4 Holes            |
| 05              | 5 Holes            |
| X               | X Holes (optional) |

| BOX STYLE |                 |
|-----------|-----------------|
| S         | Square Side     |
| T         | Triangular Side |



|         | L               | P              |
|---------|-----------------|----------------|
| 1 Hole  | 3.4 in (86mm)   | —              |
| 2 Holes | 5.4 in (136mm)  | 2 in (50mm)    |
| 3 Holes | 7.3 in (186mm)  | 3.9 in (100mm) |
| 4 Holes | 9.3 in (236mm)  | 5.9 in (150mm) |
| 5 Holes | 11.3 in (286mm) | 7.9 in (200mm) |

### Plastic Boxes

IP 67 / NEMA 4x



BC - **AG** **S** - **01**

| NUMBER OF HOLES |         |
|-----------------|---------|
| 01              | 1 Hole  |
| 02              | 2 Holes |
| 03              | 3 Holes |
| 04              | 4 Holes |

| BOX STYLE |            |
|-----------|------------|
| S         | Screw Lock |

| BOX MATERIAL |           |
|--------------|-----------|
| AG           | ABS Gray  |
| PG           | PC Gray   |
| PY           | PC Yellow |

\* 1 Hole Mounting ONLY.

|         | L               |
|---------|-----------------|
| 1 Hole  | 4.33 in (110mm) |
| 2 Holes | 5.12 in (130mm) |
| 3 Holes | 6.30 in (160mm) |
| 4 Holes | 7.09 in (180mm) |

## TOWER & SIGNAL LIGHTS CONTROL SWITCHES

[www.AutonicsOnline.com](http://www.AutonicsOnline.com)

**Autonics USA, Inc.**

**Toll Free: 1.866.862.2602**

1001 Butterfield Rd, Vernon Hills, IL 60061  
Phone: 847-680-8160 | Fax: 847-680-8155  
Email: [sales@autonicsusa.net](mailto:sales@autonicsusa.net)

**Autonics México**

Torre Índigo Reforma, 373 piso 11,  
Col. Cuahutémoc 06500 México D.F.  
Tel: 52-55-5207-0019 | Fax : 52-55-5207-0099  
Email : [ventas@autonics.com](mailto:ventas@autonics.com)





## X-ON Electronics

Largest Supplier of Electrical and Electronic Components

*Click to view similar products for [Autonics](#) manufacturer:*

Other Similar products are found below :

[MT4W-DV-4N](#) [CR30-15AO](#) [E40S6-2500-6-L-5](#) [LP-S070-T9D6-C5T](#) [PRFT30-10DO-V](#) [PRFWT12-2DO-IV](#) [PRFWT30-10DO-IV](#) [TC4W-24R](#) [TK4H-14CC](#) [TX4S-B4C](#) [TX4S-B4S](#) [CR30-15AC](#) [PRD12-8DN](#) [TMHA-42AE](#) [TMHE-82RE](#) [CX6M-1P2](#) [PRFAT12-2DO-V](#) [PRFAWT12-2DO-IV](#) [PT4-S3DP5](#) [PT8-S3DP5](#) [SRH2-4440](#) [SRH3-4430](#) [SRHL1-4220](#) [TF33-31H-R](#) [E50S8-360-3-T-24](#) [BTF30-DDTL-P](#) [PR08-1.5DP2](#) [PRL30-10DP](#) [AT8PSN-6 100/120VAC](#) [CT6S-2P4](#) [BJ15M-TDT-P](#) [E40H12-1000-6-L-5](#) [PRCM12-2DN](#) [PRDCM12-4DN](#) [PRDCM18-14DN](#) [PRDCM18-7DN](#) [PRDCM30-25DN](#) [PRDCML12-8DN](#) [PRDCML18-7DP](#) [PRDCML30-25DN](#) [SR1-4425](#) [SR3-2450](#) [TK4H-14SC](#) [TK4H-14SR](#) [TK4M-14RN](#) [TK4N-14RC](#) [TX4S-A4S](#) [PR08-1.5DP](#) [PR18-5AO](#) [SR3-1440R](#)