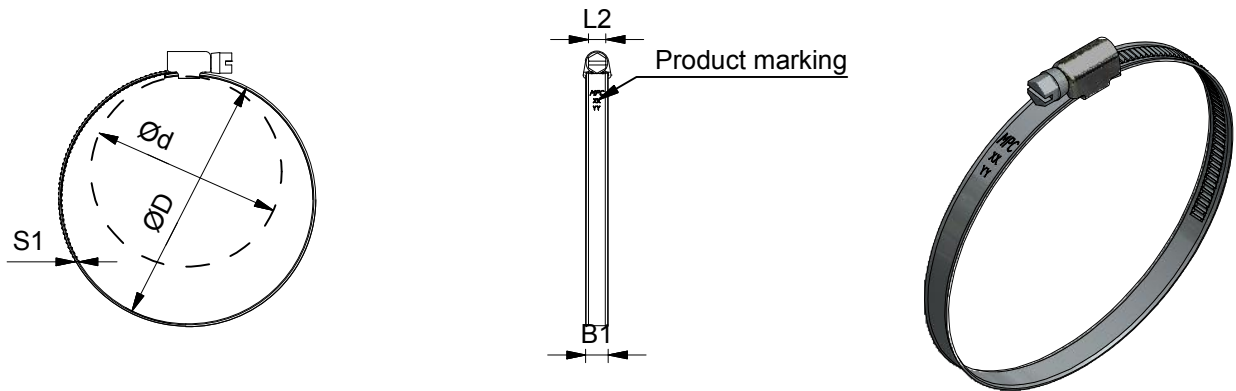


MPC TYPE "D"



SIZES

clamp size minimum:	clamp size maximum:	Band width:	Band Thickness S1	Hexagon head Screw	Tightening Torque:	Braking Torque:
d	D	B1	0,5 till 1mm	L2	AD* in Nm	PD**
8	12	9	W2 W4 W5	7	3,0 Nm	4,0 Nm
8	16	9	W2; W4; W5	7	3,0 Nm	4,0 Nm
9	14	9	W2	7	3,0 Nm	4,0 Nm
10	16	9	W2 W4 W5	7	3,0 Nm	4,0 Nm
12	22	9	W2	7	3,0 Nm	4,0 Nm
12	20	9	W2 W4 W5	7	3,0 Nm	4,0 Nm
16	25	9	W2 W4 W5	7	3,0 Nm	4,0 Nm
16	27	9	W4	7	3,0 Nm	4,0 Nm
20	32	9	W2 W4 W5	7	3,0 Nm	4,0 Nm
25	40	9	W2 W4 W5	7	3,0 Nm	4,0 Nm
27	35	9	W4	7	3,0 Nm	4,0 Nm
32	50	9	W2 W4 W5	7	3,0 Nm	4,0 Nm
40	60	9	W2 W4 W5	7	3,0 Nm	4,0 Nm
45	65	9	W4	7	3,0 Nm	4,0 Nm
50	70	9	W2 W4 W5	7	3,0 Nm	4,0 Nm
60	80	9	W2 W4 W5	7	3,0 Nm	4,0 Nm
70	80	9	W4	7	3,0 Nm	4,0 Nm
70	90	9	W2 W4 W5	7	3,0 Nm	4,0 Nm
80	100	9	W2 W4 W5	7	3,0 Nm	4,0 Nm
90	110	9	W2 W4 W5	7	3,0 Nm	4,0 Nm
100	120	9	W2 W4 W5	7	3,0 Nm	4,0 Nm
110	130	9	W2 W4 W5	7	3,0 Nm	4,0 Nm
120	140	9	W2 W4 W5	7	3,0 Nm	4,0 Nm
130	150	9	W2 W4 W5	7	3,0 Nm	4,0 Nm
140	160	9	W2 W4 W5	7	3,0 Nm	4,0 Nm
150	170	9	W2 W4 W5	7	3,0 Nm	4,0 Nm
160	180	9	W2 W4 W5	7	3,0 Nm	4,0 Nm
170	190	9	W2 W4 W5	7	3,0 Nm	4,0 Nm
180	200	9	W2 W4 W5	7	3,0 Nm	4,0 Nm
190	210	9	W2 W4 W5	7	3,0 Nm	4,0 Nm
200	220	9	W2 W4 W5	7	3,0 Nm	4,0 Nm
210	230	9	W2 W4 W5	7	3,0 Nm	4,0 Nm

AD*= Maximum advised torque.

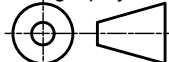
PD**=Minimum test torque in Nm according to DIN 3017-1.



Material:

W2, W4, W5

Third angle projection:



Part number:

D clamp

Description:

MPC Industries D clamp according to DIN 3017-1

Revision:

Drawn by: Gyula

Creation date: 24-5-2012

Scale 1:1

Units: mm

Format:

A4

X-ON Electronics

Largest Supplier of Electrical and Electronic Components

Click to view similar products for [Other Tools](#) category:

Click to view products by [MPC INDUSTRIES](#) manufacturer:

Other Similar products are found below :

[CR-05FL7--150R](#) [CR-05FL7--698K](#) [899-2-KT46](#) [899-5-KT46](#) [CR-0AFL4--332K](#) [CR-12FP4--260R](#) [5718X-01PD-19RO](#)
[CRCW04021100FRT7](#) [CRCW04021961FRT7](#) [5800-0090](#) [CRCW04024021FRT7](#) [CRCW040254R9FRT7](#) [CRCW0603102JRT5](#) [59065-5](#) [00-8273-RDPP](#) [00-8729-WHPP](#) [593033](#) [593058](#) [593072](#) [593564100](#) [593575](#) [593591](#) [593593](#) [LTLA506SBLAMNBL](#) [CRCW08052740FRT1](#)
[LUC-012S070DSM](#) [LUC-018S070DSP](#) [599-2021-3-NME](#) [599-JJ-2021-03](#) [00-5080-YWPP](#) [5E4750/01-20R0-T/R](#) [LW1A-L1-GD](#) [LW1A-L1-GL](#) [LW1A-P1-GD](#) [LW1L-A1C10V-GL](#) [LW1L-M1C70-A](#) [0202-0173](#) [00-9089-RDPP](#) [CRCW2010331JR02](#) [01-1003W-8/32-10](#) [601-GP-08-KT39](#) [601-JJ-06](#) [601-SPB](#) [601YSY](#) [602-JJ-03](#) [602SPB](#) [602Z](#) [603-JJ-07-FP](#) [603-JJY-04](#) [604J](#)