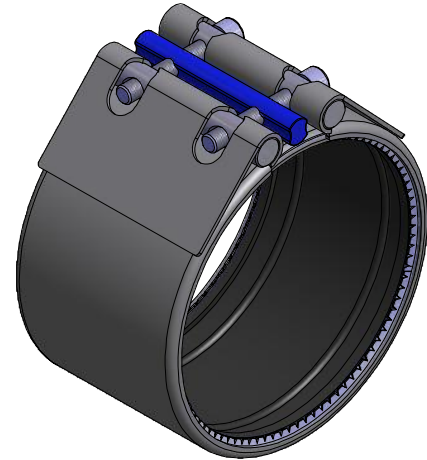
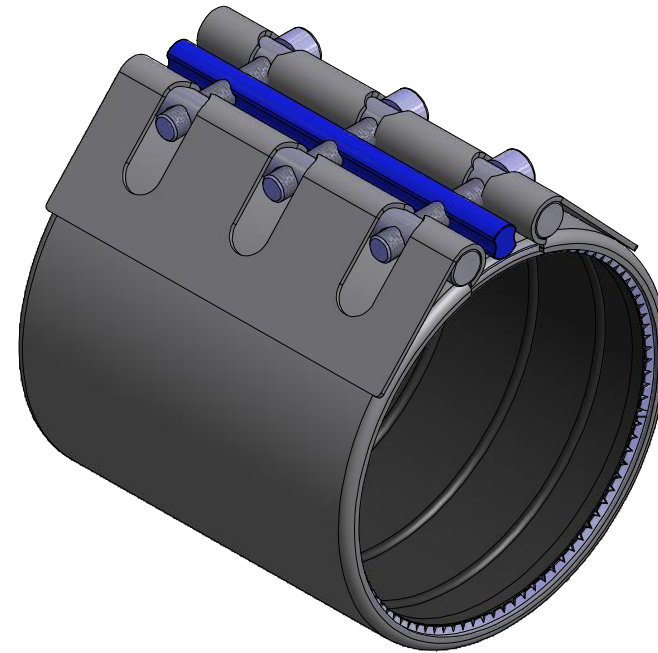


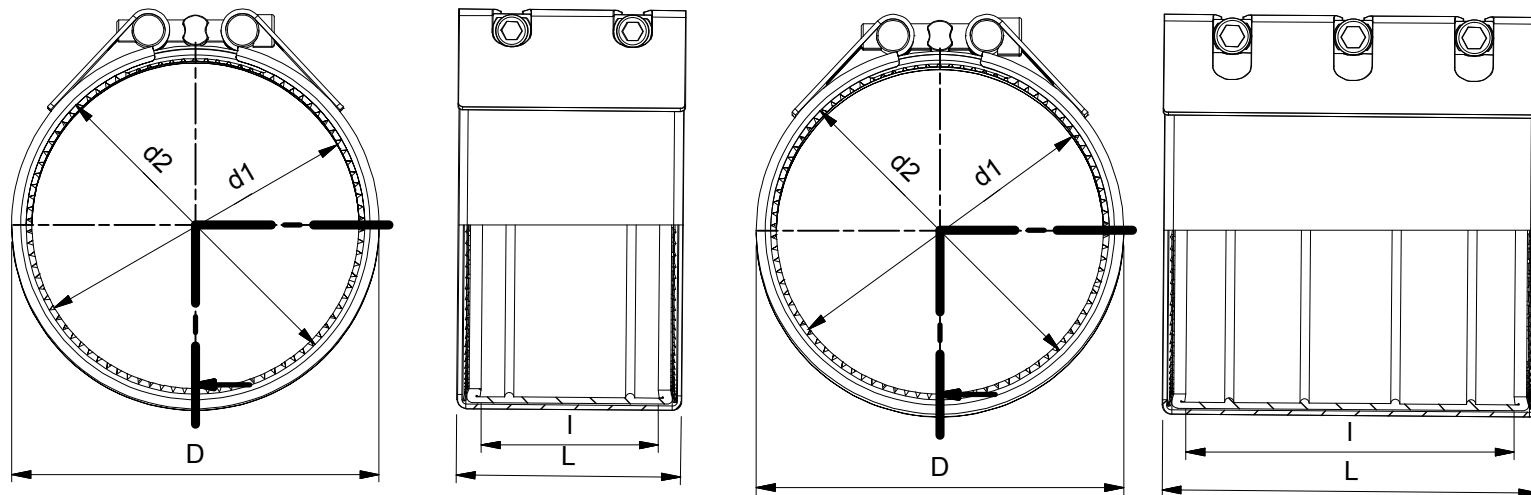
MPC TYPE "U-CONNECT GRIP"



UCT:
Two bolt construction




UCTL:
Three bolt construction



Material of coupling: AISI 304; on request AISI 316.
Rubber : EPDM; NBR; on request VITON.

Pipe outside diameter	Coupling Size D	Coupling min d1	Coupling Range max d2	Working Ship	Pressure Industry	SIZES							
						UCT		UCTL		UCT		UCTL	
						Length L	Length l	Length L	Length l	Torque rate	Bolts thread	Torque rate	Bolts thread
20.0	33.5	19.5	20.5	16	32	60	28	-	-	7	6	-	-
21.7	35.5	21.2	22.2	16	32	60	28	-	-	7	6	-	-
25.0	38.5	24.5	25.5	16	32	60	28	100	70	8	8	7	6
27.2	41.0	26.7	27.7	16	32	60	28	100	70	8	8	7	6
28.2	41.5	27.5	29	16	32	60	28	-	-	8	8	-	-
30.0	43.5	29.5	30.5	16	32	60	28	-	-	8	8	-	-
32.0	45.5	31.5	32.5	16	32	60	28	100	70	8	8	7	6
34.0	47.0	33	34.6	16	32	60	28	100	70	8	8	7	6
38.0	51.5	37.5	38.5	16	32	60	28	-	-	15	8	-	-
40.0	53.5	39.5	41.5	16	32	60	28	100	70	15	8	7	6
42.7	56.0	41.9	43	16	32	60	28	100	70	15	8	7	6
44.5	58.0	44	45	16	32	60	28	-	-	15	8	-	-
48.6	62.0	47.8	49	16	32	60	28	100	70	15	8	7	6
50.8	64.5	49.5	51.5	16	32	60	28	100	70	15	8	7	6
54.0	69.6	53.4	54.6	16	32	80	44	-	-	18	8	-	-
57.0	72.6	56.4	57.6	16	32	80	44	-	-	18	8	-	-
60.5	76.0	59	61.5	16	32	80	44	150	110	18	8	18	8
63.0	78.6	62.4	63.6	16	32	80	44	150	110	18	8	18	8
66.7	82.3	65.2	67.3	14	28	80	44	-	-	18	8	-	-
69.0	84.6	68	70.1	14	28	80	44	150	110	18	8	18	8
73.0	88.6	71.5	74.1	14	28	80	44	150	110	18	8	18	8
76.3	92.0	75	77.2	14	28	80	44	150	110	18	8	18	8
79.9	101.0	78.8	81.2	14	28	110	59	200	150	35	12	35	12
84.0	105.0	83	84.9	14	28	110	59	-	-	35	12	-	-
89.1	110.0	87.8	91	14	28	110	59	200	150	35	12	35	12
101.6	123.0	100.4	102.6	14	28	110	59	200	150	35	12	35	12
104.0	125.0	103	104.8	14	28	110	59	200	150	35	12	35	12
106.3	127.5	105	107.4	14	28	110	59	200	150	35	12	35	12
108.0	129.0	106.5	108.5	14	28	110	59	200	150	35	12	35	12
114.3	135.0	113.2	115.4	14	28	110	59	200	150	35	12	35	12
127.0	149.0	125.6	128.4	14	28	111	59	-	-	45	12	-	12
129.0	151.0	127.5	130	14	28	111	59	-	-	45	12	-	-
133.0	155.0	131.6	134.4	14	28	111	59	-	-	45	12	-	-
139.8	162.0	137.7	140.9	14	28	111	59	201	150	45	12	45	12
141.3	163.3	139.7	142.5	14	28	111	59	201	150	45	12	45	12
154.0	176.0	151.5	155	12	24	111	59	-	-	45	12	-	-
159.0	181.0	156.5	160	12	24	111	59	201	150	45	12	45	12
165.2	187.0	163.3	166.7	12	24	111	59	201	150	45	12	45	12
168.3	190.3	166.6	170	12	24	111	59	201	150	45	12	45	12
180.0	202.0	178	182	10	20	111	59	-	-	45	12	-	-
200.0	226.6	198.2	201.5	8	16	150	89	-	-	70	14	-	-
204.0	230.6	202.7	206.7	8	16	150	89	-	-	70	14	-	-
216.3	243.0	214.5	218.3	8	16	150	89	250	185	70	14	70	16
219.1	245.7	217	221	8	16	150	89	250	185	70	14	70	16
254.0	280.6	251.4	256.6	8	16	150	89	-	-	70	14	-	-
267.4	294.0	264.8	270	8	16	150	89	250	185	70	14	70	16
273.1	299.7	270.4	275.6	8	16	150	89	250	185	70	14	70	16
304.0	330.6	301.5	306.6	7	14	150	89	-	-	70	14	-	-
318.5	345.0	316	322	7	14	150	89	250	185	70	14	70	16
323.9	350.5	321	327.4	7	14	150	89	250	185	70	14	70	16
355.6	382.2	352	360	7	14	150	89	250	185	70	14	70	16

	Material: W4	Part number: U-CONNECT GRIP	Revision:
	Third angle projection:	Description: MPC Industries, U-Connect Grip ring type, W4	
Drawn by: gyula	Creation date: 4/15/2015		
Scale: 1:1	Units: mm		

X-ON Electronics

Largest Supplier of Electrical and Electronic Components

Click to view similar products for [Other Tools](#) category:

Click to view products by [MPC INDUSTRIES](#) manufacturer:

Other Similar products are found below :

[CR-05FL7--150R](#) [CR-05FL7--698K](#) [899-2-KT46](#) [899-5-KT46](#) [CR-0AFL4--332K](#) [CR-12FP4--260R](#) [5718X-01PD-19RO](#)
[CRCW04021100FRT7](#) [CRCW04021961FRT7](#) [5800-0090](#) [CRCW04024021FRT7](#) [CRCW040254R9FRT7](#) [CRCW0603102JRT5](#) [59065-5](#) [00-8273-RDPP](#) [00-8729-WHPP](#) [593033](#) [593058](#) [593072](#) [593564100](#) [593575](#) [593591](#) [593593](#) [LTLA506SBLAMNBL](#) [CRCW08052740FRT1](#)
[LUC-012S070DSM](#) [LUC-018S070DSP](#) [599-2021-3-NME](#) [599-JJ-2021-03](#) [00-5080-YWPP](#) [5E4750/01-20R0-T/R](#) [LW1A-L1-GD](#) [LW1A-L1-GL](#) [LW1A-P1-GD](#) [LW1L-A1C10V-GL](#) [LW1L-M1C70-A](#) [0202-0173](#) [00-9089-RDPP](#) [CRCW2010331JR02](#) [01-1003W-8/32-10](#) [601-GP-08-KT39](#) [601-JJ-06](#) [601-SPB](#) [601YSY](#) [602-JJ-03](#) [602SPB](#) [602Z](#) [603-JJ-07-FP](#) [603-JJY-04](#) [604J](#)