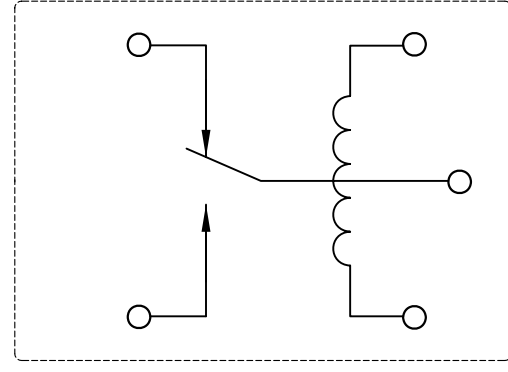
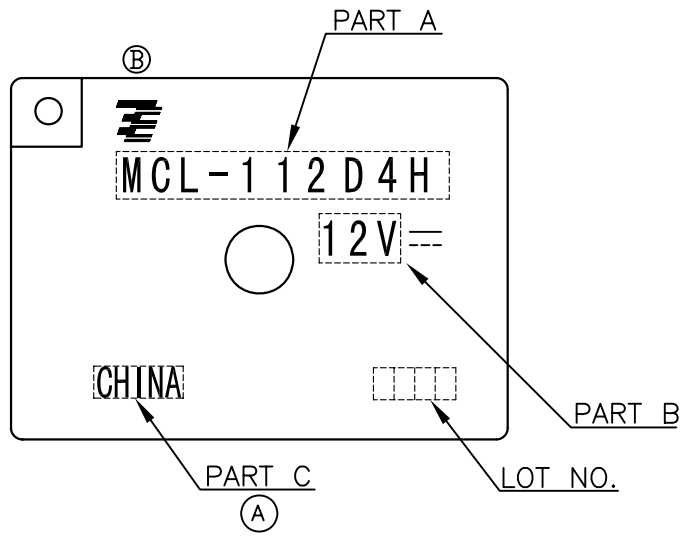


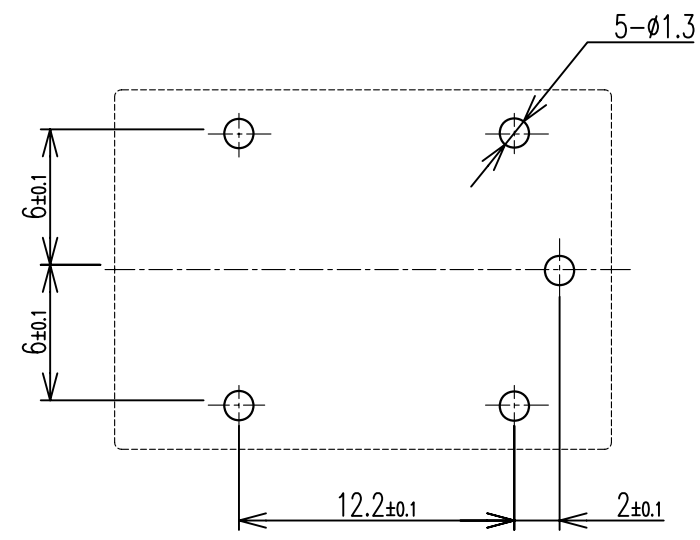
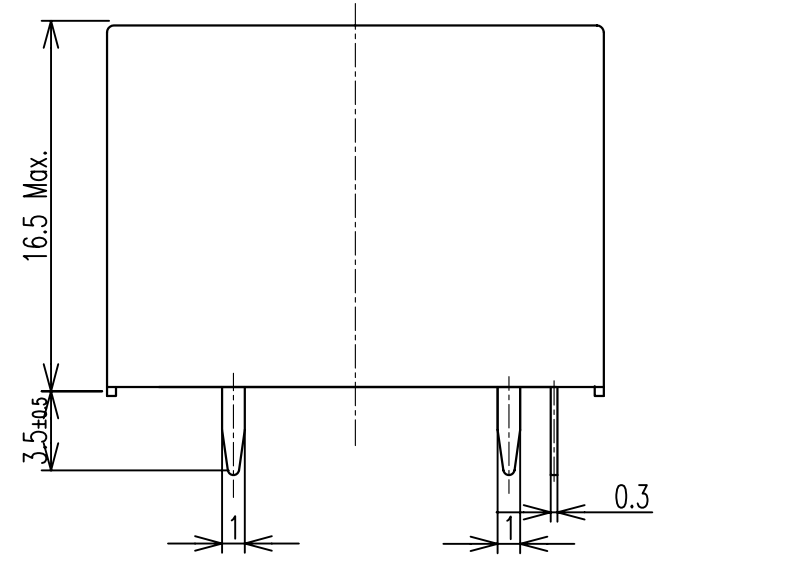
THIS DRAWING IS UNPUBLISHED. RELEASED FOR PUBLICATION
 © COPYRIGHT BY TYCO ELECTRONICS CORPORATION. ALL RIGHTS RESERVED.

LOC HB	DIST	REVISIONS						
		P	LTR	DESCRIPTION	ECN/ECO	DATE	DWN	APVD
			O	RELEASED	FK00-0026-05	26-JAN-05	XL.H	H,CH
			A	MODIFICATION		08-MAR-05	XL.H	N.F
			A1	ADD TYPE	ECO-05-002682	16-MAY-05	XL.H	N.F
			B	CHANGE LOGO AND DATE CODE	ECO-08-020479	21-NOV-08	D.L	BH.Y



Wiring Diagram(Bottom View)

TE PART NO	DESCRIPTION	PART B	PART A	ITEM
1721337-5	MCL-106D4H	6V	MCL-106D4H	A
1721337-4	MCL-109D4H	9V	MCL-109D4H	B
1721337-3	MCL-110D4H	10V	MCL-110D4H	C
1721337-2	MCL-112D4H	12V	MCL-112D4H	D
1721337-1	MCL-124D4H	24V	MCL-124D4H	E
1721337-6	MCL-106D4MH	6V	MCL-106D4MH	F (A)
1721337-7	MCL-109D4MH	9V	MCL-109D4MH	G (A)
1721337-8	MCL-110D4MH	10V	MCL-110D4MH	H (A)
1721337-9	MCL-112D4MH	12V	MCL-112D4MH	I (A)
1-1721337-0	MCL-124D4MH	24V	MCL-124D4MH	J (A)



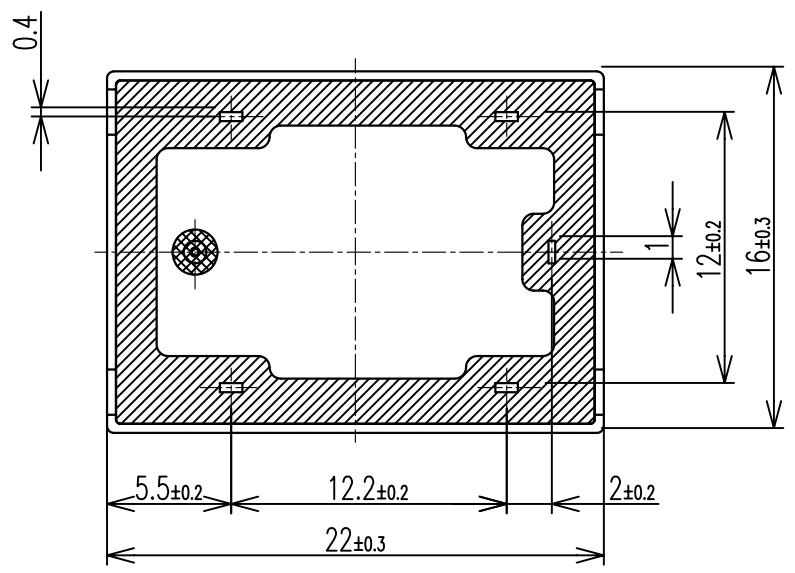
PC Board Layout(Bottom View)

NOTES:
 ① LOT NO. SYSTEM AS FOLLOWING:
 0825
 WEEK YEAR
 2. GENERAL TOLERANCE AS FOLLOWING:

TOLERANCE	
0~0.99mm	±0.1
1mm~2.99mm	±0.2
3mm MIN.	±0.3

3. TERMINAL DIMENSION IS NOT INCLUDING SOLDER TIP.

EPOXY RESIN	UV SEAL	16
EPOXY RESIN	SEAL EPOXY	15
P.B.T	CASE P-2317	14
P.B.T	BASE PBT	13
STELL	ARMATURE	12
AgSn0In0	MOVABLE CONTACT	11
AgSn0In0	STATIONARY CONTACT	10
Cu ALLOY	M-TERMINAL	9
Cu ALLOY	DUMMY B-TERMINAL	8
Cu ALLOY	B-TERMINAL	7
Cu ALLOY	MOVABLE SPRING	7
STELL	CORE	6
STELL	YOKE	5
3UEW	MAGNET WIRE	4
Cu ALLOY	COIL TERMINAL B	3
Cu ALLOY	COIL TERMINAL A	2
P.B.T	BOBBIN	1
MATERIAL	DESCRIPTION	ITEM



THIS DRAWING IS A CONTROLLED DOCUMENT FOR TYCO ELECTRONICS CORPORATION IT IS SUBJECT TO CHANGE AND THE CONTROLLING ENGINEERING ORGANIZATION SHOULD BE CONTACTED FOR THE LATEST REVISION.		DWN	HU,XIELI	Tyco Electronics Corporation ShenZhen, China	
DIMENSIONS: mm		CHK	N.FUNAYAMA		
TOLERANCES UNLESS OTHERWISE SPECIFIED: 0 PLC ± 1 PLC ± 2 PLC ± 3 PLC ± 4 PLC ±		APVD	Y.ADACHI	MCL TYPE CUSTOMER DRAWING	
MATERIAL: SEE MATERIAL TABLE		PRODUCT SPEC			
FINISH		APPLICATION SPEC		SIZE	A3
		WEIGHT		GAGE CODE	
		CUSTOMER DRAWING		DRAWING NO	1721337
				RESTRICT TO	
		SCALE	3:1	SHEET	1 OF 1
				REV	B

X-ON Electronics

Largest Supplier of Electrical and Electronic Components

Click to view similar products for [TE Connectivity](#) manufacturer:

Other Similar products are found below :

[D38999/24FJ4AN](#) [1-2000677-8](#) [SMD100-2](#) [D38999/20WJ43BD](#) [4-176756-8](#) [983-6SE22-12S7-L](#) [D38999/24ZE35PN](#) [DJT10F17-26HN](#) [5-1437490-9](#) [7022X3H](#) [983-6SE18-14P9-L](#) [AFD50-16-23SN-6116-LC](#) [603995-1](#) [D38999/24WF32JE](#) [D38999/24WF32SE-LC](#) [DTS24W19-32HE](#) [D38999/20WD19SB-LC](#) [842723N001](#) [213904-1](#) [C1177A](#) [AFD51-18-32PW-6116-LC](#) [D38999/24FD19PD](#) [D38999/24FD19PD-LC](#) [D38999/24FF32BA](#) [D38999/26WH21PB-LC](#) [D38999/20FH21PE](#) [D38999/20FH21PE-LC](#) [D38999/24FH21PN](#) [DTS20F23-21PE](#) [D38999/20FH21PB-LC](#) [D38999/26FJ35PE](#) [D38999/32Z15N](#) [DTS26W9-35JB-LC](#) [D38999/26JJ29JN](#) [102976-7](#) [D38999/20FJ4SB-LC](#) [1-2322421-6](#) [D38999/20FJ24SB-LC](#) [MS3474L12-10P-LC](#) [MS3474L12-10PW-LC](#) [MS27467T21F16P-LC](#) [D50184-000](#) [WINTOTAL-6-END-USER-LICENCE](#) [164-8033-08](#) [DTS26W17-99HA](#) [MS27468T17F26H](#) [DJT14F17-26HN](#) [DJT14F17-26HB](#) [AFD58-24-61PY-1A](#) [983-6SE18-14S7-L](#)