

LOC	HB	DIST	
P	LTR	DESCRIPTION	ECN
A	A	RELEASE	
B	B	CHANGE DATE CODE&TE LOGO	ECO-08-007851
		DATE	10-PAR-08
		F,B	CYZ
		Y,W	BHY

NOTES: ① LOT NO. SYSTEM AS FOLLOWING:
 YEAR
 WEEK

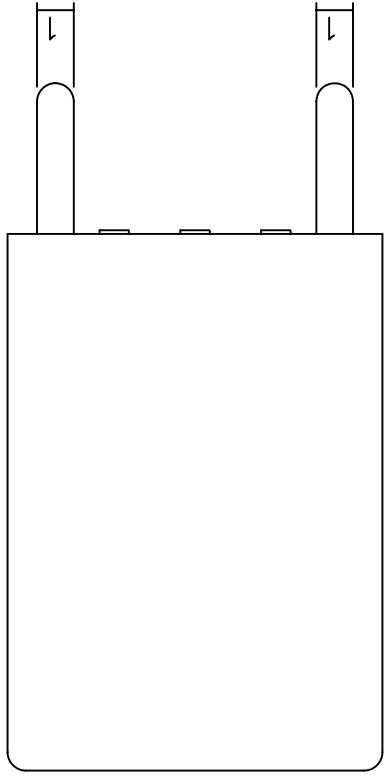
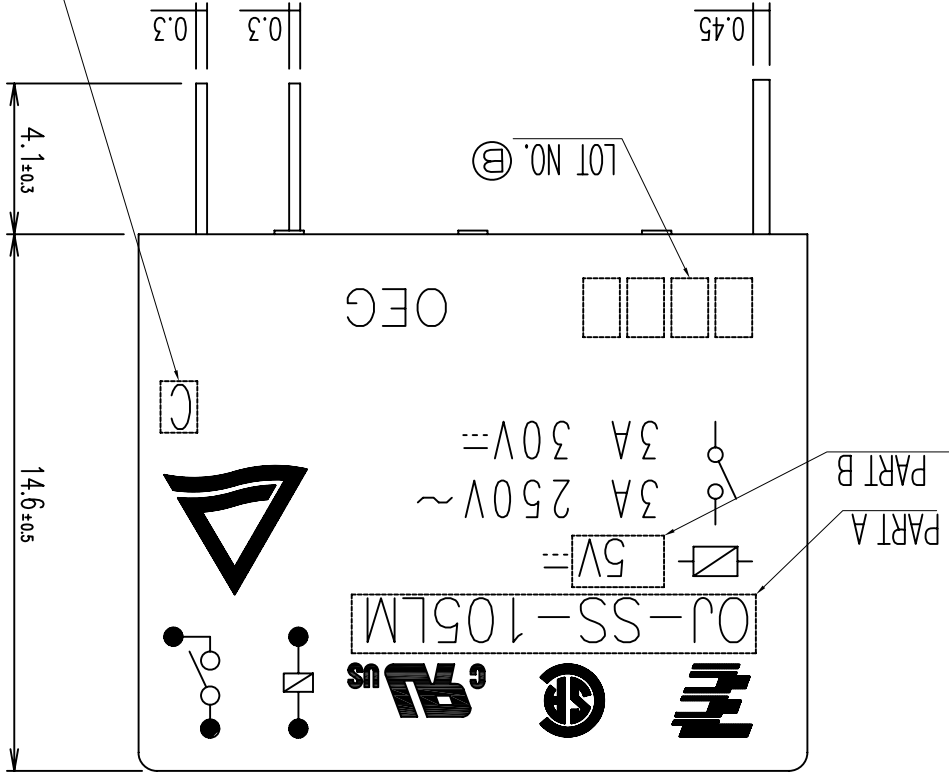
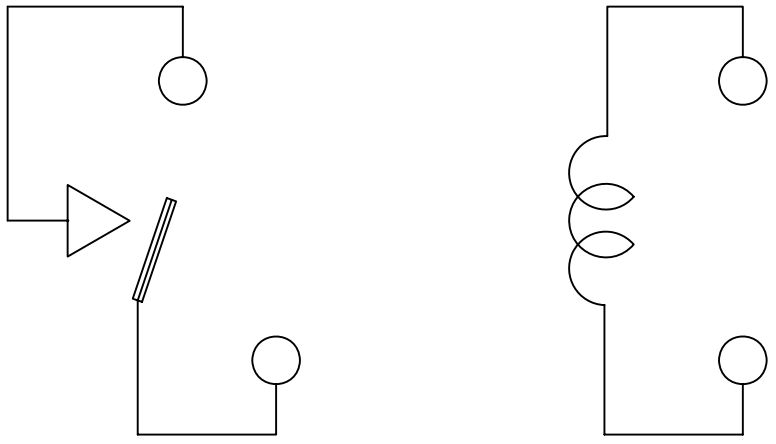


Diagram dimension	Tolerance
0.99mm max.	±0.1mm
1 - 2.99mm	±0.2mm
3mm min.	±0.3mm



CONNECTION FIGURE

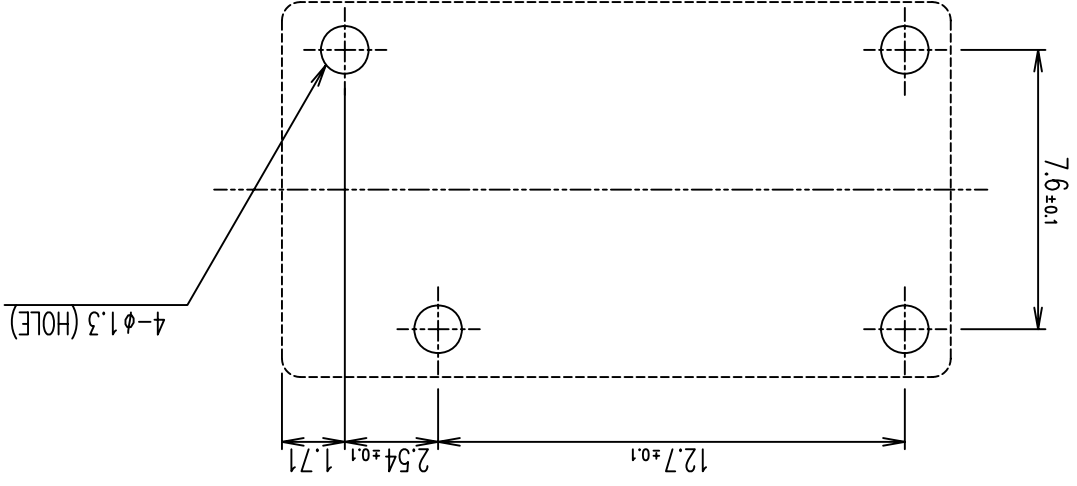
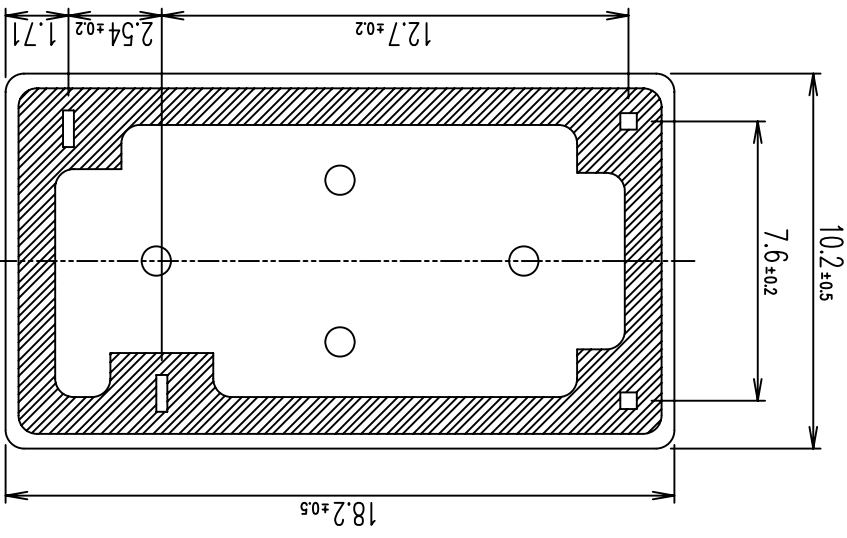


FIGURE FOR PRINTED CIRCUIT BOARD PROCESSING (BOTTOM VIEW)



THIS DRAWING IS A CONTROLLED DOCUMENT FOR TYCO ELECTRONICS CORPORATION. IT IS SUBJECT TO CHANGE AND THE CONTROLLING ENGINEERING ORGANIZATION SHOULD BE CONTACTED FOR THE LATEST REVISION. TOLERANCES UNLESS OTHERWISE SPECIFIED:

DIMENSIONS: mm

FINISH
 0 PLC ±
 1 PLC ±
 2 PLC ±
 3 PLC ±
 4 PLC ±

MATERIAL	SEE MATERIAL TABLE
WEIGHT	—
APPLICATION SPEC	—
PRODUCT SPEC	—
NAME	0J-1**LM, X000 CUSTOMER DRAWING
APVD	Y. W
CHK	XN,ZHANG
DWN	Fu Bo
Tyco Electronics Shenzhen,China	
CAGE CODE	00779
DRAWING NO	3-1419144-2
RESTRICTED TO	—
SCALE	5:1
SHEET	1 OF 2
REV	B

LOC HB
DIST

REVISIONS

P	LTR	DESCRIPTION	ECN	DATE	DWN	APVD

TE PART NO	TE TYPE NAME	PART B	PART A	TYPE
1419129-5	0J-SH-124LM	24V	0J-SH-124LM	e
3-1419129-3	0J-SS-124LM	24V	0J-SS-124LM	d
2-1419129-3	0J-SS-112LM	12V	0J-SS-112LM	c
8-1419128-3	0J-SS-109LM	9V	0J-SS-109LM	b
3-1419144-2	0J-SS-105LM	5V	0J-SS-105LM	a

RELAY TYPE

ITEM	DESCRIPTION	MATERIAL	TREATMENT	INCOMBUSTIBILITY
1	YOKE	STEEL	NIP	
2	ARMATURE	STEEL	NIP	
3	CORE	STEEL	NIP	
4	MOVABLE SPRING	Cu ALLOY	SOLDER DIP	
5	NO. TERMINAL	Cu ALLOY	SOLDER DIP	
6	HINGE SPRING	STEEL		
7	NO. CONTACT	Ag		
8	MOVABLE CONTACT	Ag		
9	CARD	P.P.S		94V-0
10	COIL TERMINAL	C.P WIRE	SOLDER DIP	
11	BOBBIN	P.B.T		94V-0
12	BASE	P.B.T		94V-0
13	CASE	P.B.T		94V-0
14	MAGNETIC WIRE	3UEW		
15	SEAL (BASE & BOBBIN)	EPOXY RESIN		
16	UL CASE			

THIS DRAWING IS A CONTROLLED DOCUMENT FOR TYCO ELECTRONICS CORPORATION. IT IS SUBJECT TO CHANGE AND THE CONTROLLING ENGINEERING ORGANIZATION SHOULD BE CONTACTED FOR THE LATEST REVISION. DIMENSIONS: mm

OTHERWISE SPECIFIED: 0 PLC ±, 1 PLC ±, 2 PLC ±, 3 PLC ±, 4 PLC ±

FINISH: —

WEIGHT: —

SIZE: A3

CAGE CODE: 00779

DRAWING NO: 3-1419144-2

SCALE: 5:1

SHEET 2 OF 2

REV B

CUSTOMER DRAWING

TYCO ELECTRONICS
Shenzhen, China

0J-1*LM, X000 CUSTOMER DRAWING

RESTRICTED TO

APVD: _____

CHK: _____

DWN: _____

A

B

C

D

A

B

C

D

1

2

3

4

X-ON Electronics

Largest Supplier of Electrical and Electronic Components

Click to view similar products for [General Purpose Relays](#) category:

Click to view products by [TE Connectivity](#) manufacturer:

Other Similar products are found below :

[APF30318](#) [JVN1AF-4.5V-F](#) [PCN-105D3MHZ](#) [5JO-10000S-SIL](#) [5JO-1000CD-SIL](#) [5JO-400CD-SIL](#) [LY2S-AC220/240](#) [LYQ20DC12](#)
[6031007G](#) [6131406HQ](#) [6-1393099-3](#) [6-1393099-8](#) [6-1393122-4](#) [6-1393123-2](#) [6-1393767-1](#) [6-1393843-7](#) [6-1415012-1](#) [6-1419102-2](#) [6-](#)
[1423698-4](#) [6-1608051-6](#) [6-1608067-0](#) [6-1616170-6](#) [6-1616248-2](#) [6-1616282-3](#) [6-1616348-2](#) [6-1616350-1](#) [6-1616350-8](#) [6-1616358-7](#) [6-](#)
[1616359-9](#) [6-1616360-9](#) [6-1616931-6](#) [6-1617039-1](#) [6-1617052-1](#) [6-1617090-2](#) [6-1617090-5](#) [6-1617347-5](#) [6-1617353-3](#) [6-1617801-8](#) [6-](#)
[1617802-2](#) [6-1618107-9](#) [6-1618248-4](#) [M83536/1-027M](#) [CX-4014](#) [MAHC-5494](#) [MAVCD-5419-6](#) [703XCX-120A](#) [7-1393100-5](#) [7-1393111-7](#)
[7-1393144-5](#) [7-1393767-8](#)