



Ordering number FA11208_TINA-RS

| | | | |
|-----------------|--------------|-------------|------------|
| Family | Tina | FWHM | 11 degrees |
| Type | Assembly | Efficiency | 90 % |
| LED | Oslon SSL 80 | cd/lm | 14.300 |
| Color | Black | Gerber File | Available |
| Diameter | 16.1 mm | | |
| Height | 9.5 mm | | |
| Style | Round | | |
| Optic Material | PMMA | | |
| Holder Material | PC | | |
| Fastening | Pin, tape | | |
| Status | Ready | | |



Ordering number FA11205_TINA-D

| | | | |
|-----------------|--------------|-------------|------------|
| Family | Tina | FWHM | 12 degrees |
| Type | Assembly | Efficiency | 89 % |
| LED | Oslon SSL 80 | cd/lm | 10.100 |
| Color | Black | Gerber File | Available |
| Diameter | 16.1 mm | | |
| Height | 9.5 mm | | |
| Style | Round | | |
| Optic Material | PMMA | | |
| Holder Material | PC | | |
| Fastening | Pin, tape | | |
| Status | Ready | | |



Ordering number FA11206_TINA-M

| | | | |
|-----------------|--------------|-------------|------------|
| Family | Tina | FWHM | 24 degrees |
| Type | Assembly | Efficiency | 83 % |
| LED | Oslon SSL 80 | cd/lm | 2.290 |
| Color | Black | Gerber File | Available |
| Diameter | 16.1 mm | | |
| Height | 9.5 mm | | |
| Style | Round | | |
| Optic Material | PMMA | | |
| Holder Material | PC | | |
| Fastening | Pin, tape | | |
| Status | Ready | | |



Ordering number FA11204_TINA-O

| | | | |
|-----------------|--------------|-------------|---------------|
| Family | Tina | FWHM | 34+12 degrees |
| Type | Assembly | Efficiency | 80 % |
| LED | Oslon SSL 80 | cd/lm | 3.800 |
| Color | Black | Gerber File | Available |
| Diameter | 16.1 mm | | |
| Height | 9.5 mm | | |
| Style | Round | | |
| Optic Material | PMMA | | |
| Holder Material | PC | | |
| Fastening | Pin, tape | | |
| Status | Ready | | |



Ordering number FA11207_TINA-W

| | | | |
|-----------------|--------------|-------------|------------|
| Family | Tina | FWHM | 48 degrees |
| Type | Assembly | Efficiency | 87 % |
| LED | Oslon SSL 80 | cd/lm | 1.100 |
| Color | Black | Gerber File | Available |
| Diameter | 16.1 mm | | |
| Height | 9.5 mm | | |
| Style | Round | | |
| Optic Material | PMMA | | |
| Holder Material | PC | | |
| Fastening | Pin, tape | | |
| Status | Ready | | |



Ordering number FA11027_TINA-WW

| | | | |
|-----------------|--------------|-------------|------------|
| Family | Tina | FWHM | 66 degrees |
| Type | Lens | Efficiency | 87 % |
| LED | Oslon SSL 80 | cd/lm | 0.800 |
| Color | Black | Gerber File | Available |
| Diameter | 16.1 mm | | |
| Height | 9.5 mm | | |
| Style | Round | | |
| Optic Material | PMMA | | |
| Holder Material | PC | | |
| Fastening | Pin, tape | | |
| Status | Ready | | |

NOTE: The typical divergence will be changed by different color, chip size and chip position tolerance. The typical total divergence is the full angle measured where the luminous intensity is half of the peak value.



PRODUCT DATASHEET Tina series

last update 3/10/2012



GENERAL INFORMATION

- Product series especially designed & optimized for Oslon SSL 80 series of LEDs.
- Special care taken to make light distribution as uniform as possible.
- Lens material optical grade PMMA with high UV and temperature resistance (105 degrees of Celcius / 220 degrees of Fahrenheit). Allows use of high current and temperature conditions.

Please find more information about used material from below:

http://ledil.fi/sites/default/files/Documents/Technical/Material/PMMA%20N%20UL94_Yellow%20Card.pdf

<http://ledil.fi/sites/default/files/Documents/Technical/Material/PMMA%20N%20PLEXIGLAS-Datasheet.pdf>

- Optic holder molded by high quality PC material (120 dergees of Celcius / 248 degrees of Fahrenheit).

- Fastening to heat sink with a PU foam adhesive tape of automotive grade. Please find fastening details by clicking link: http://www.ledil.com/datasheets/DataSheet_TAPE.pdf

NOTE 1: We advise customer to ensure the suitability and sufficiency of the bond in the end product. For example, mechanical stress, vibration and holes on the surface of the circuit board weaken the strength of the tape.

NOTE 2: Assembly to the surface must be made straight, so the tape bonds constant and balanced with fastening surface. Slanted assembly might cause unbalanced bond to the surface. All surfaces where tape is applied must be clean, dry and free from grease and dirt.

If cleaning of PCB surfaces is needed, please follow strictly the cleaning instructions of your LED manufacturer - this is important as cleaning shall under no circumstances damage LEDs or other electronics components on the PCB.

Further note that optical components shall not be cleaned with any chemicals - only micro fiber cloth may be used to remove fingerprints or other traces from handling.

D

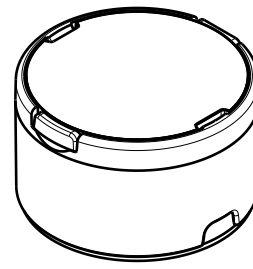
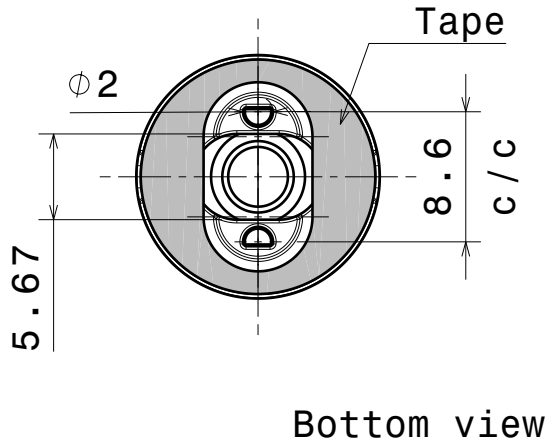
C

B

A

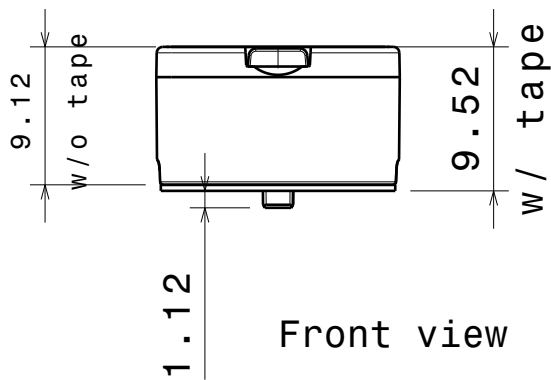
4

4



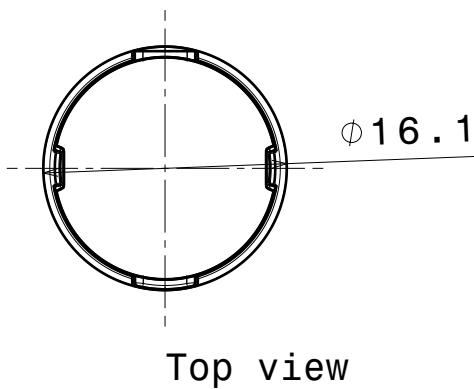
3

3



2

2



Materials
 Lens: PMMA
 Holder: PC
 Tape: PU Foam

This drawing is our property.
 It can't be reproduced
 or communicated without
 our written agreement.



Ledil Oy
 Salorankatu 10
 FIN 24240 SALO
 Finland

DRAWING TITLE Mechanical Drawing

DRAWN BY as
 DATE 10.9.2012

TINA-OSL

CHECKED BY sn
 DATE -

SIZE A4 PART NUMBER TINA-OSL REV 001

DESIGNED BY -
 DATE -

SCALE 2:1 WEIGHT 1,47 g SHEET 1/1

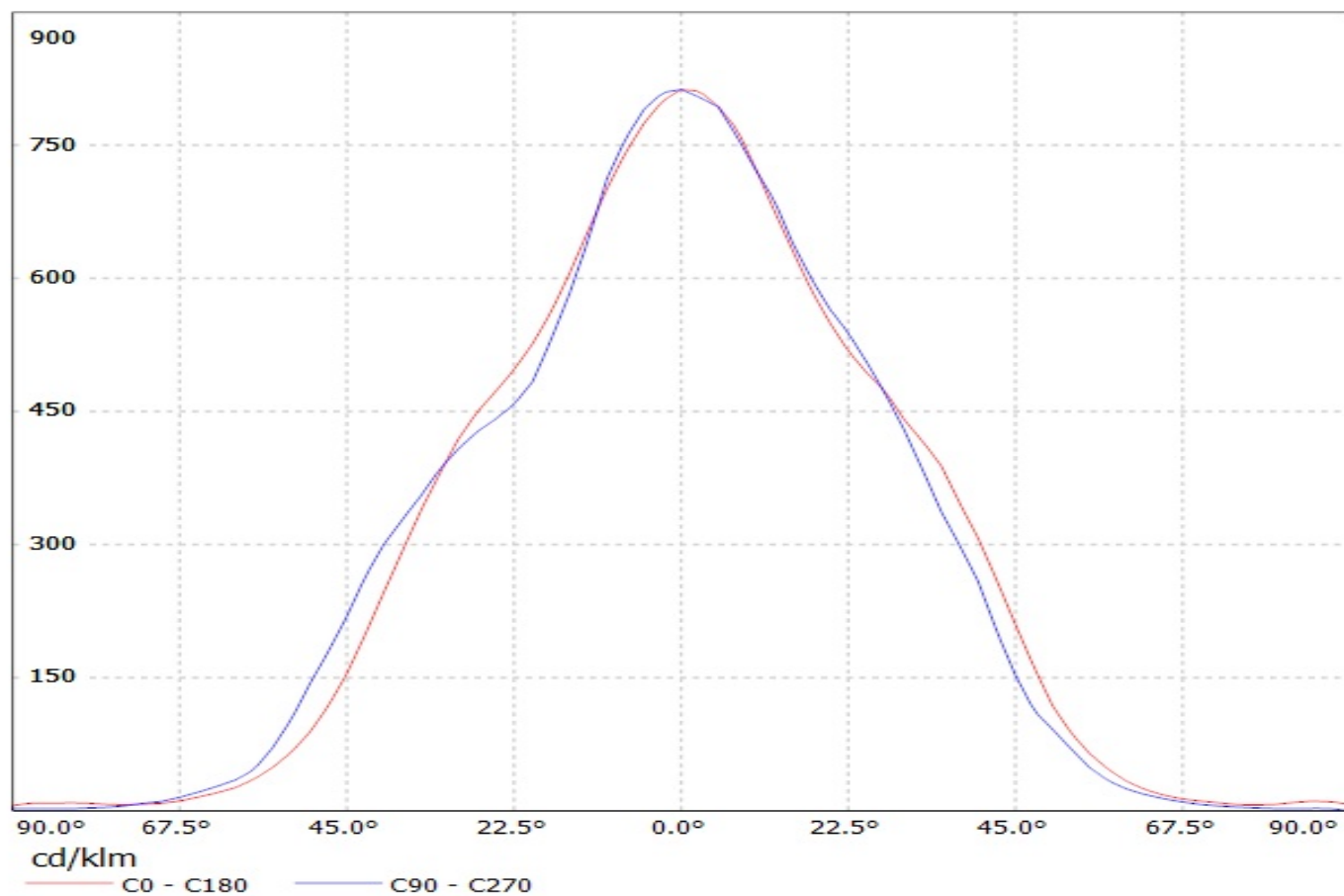
1

1

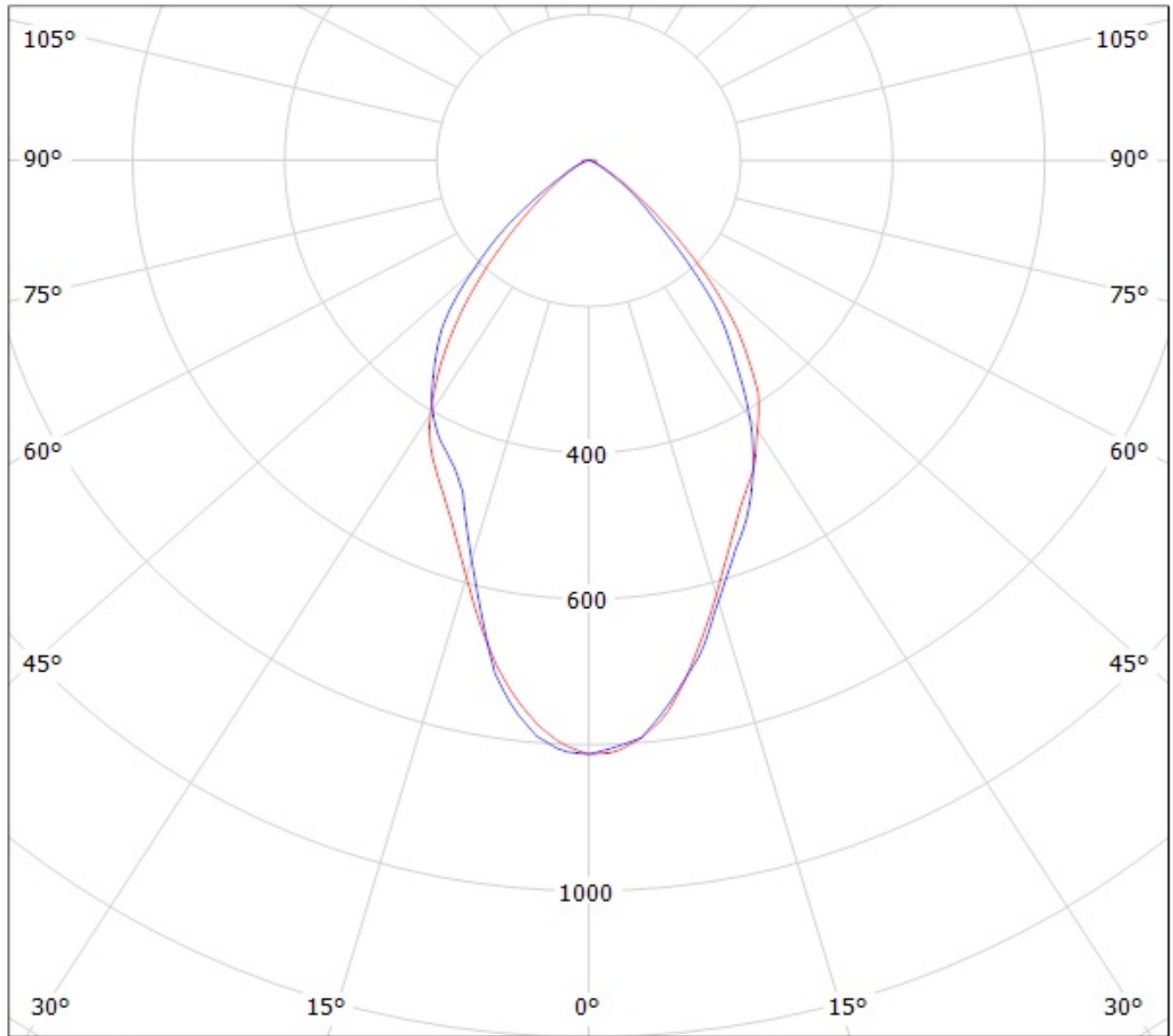
D

A

Luminaire: Ledil Oy FA11027_TINA-WW (Osram Oslon 80dg 85lm @ 250mA) Efficiency=87%
Lamps: 1 x Osram Oslon 80dg 85lm @ 250mA



Luminaire: Ledil Oy FA11027_TINA-WW (Osram Oslon 80dg 85lm @ 250mA) Efficiency=87%
Lamps: 1 x Osram Oslon 80dg 85lm @ 250mA



cd/klm

— C0 - C180

— C90 - C270

X-ON Electronics

Largest Supplier of Electrical and Electronic Components

Click to view similar products for [Ledil](#) manufacturer:

Other Similar products are found below :

[F10390_PENTA-5-M](#) [C10472_RER-5-M](#) [FCN10804_LR1-RS](#) [FCN11454_LE1-M2](#) [C10365_PLATINUMROCKET-3-W](#)
[C12084_BROOKE-SCR-W](#) [FA10643_TINA-M](#) [C12449_STRADA-T-6X1-DWC](#) [C10686_EVA-W](#) [C11552_BARBARA-S](#)
[CA11264_HEIDI-D](#) [CN12644_LENINA-S](#) [CS14840_HB-2X2MX-M](#) [F14533_ANGELETTE-M](#) [F15244_FLORENCE-ZT25-S](#)
[CN17052_DAISSY-7X1-WW-MATT](#) [C17171_DAISSY-8X1-SHD-MATT](#) [FA11207_TINA-W](#) [FCP13895_SEANNA-A](#) [CN14236_WINNIE-S](#)
[C11795_ANNA-40-4-W](#) [C12358_TYRA3-W](#) [C13508_STRADA-SQ-T2](#) [CP10961_RGBX-SS](#) [CN12646_LENINA-W](#) [CP15304_LARISA-](#)
[RS-PIN](#) [FN13888_BILLIE-A](#) [CP16939_CARMEN-W-C-WHT](#) [C17341_DAISSY-4X1-WW-US-D](#) [C14275_SHELLY-T-6X1-N](#)
[C14346_ANGELETTE-WAS](#) [CA11998_EMILY-SS-WAS](#) [CA12000_EMILY-O-WAS](#) [C13032_BARBARA-WW](#) [C15800_MOLLY-S](#)
[FCN12592_LE1-D-COP](#) [CA12242_HEIDI-SS](#) [CP13682_RGBX2-S](#) [CA11476"TYRA2-M](#) [FS15626_FLORENCE-3R-IP-Z90](#)
[F12916_CRYSTAL-RS](#) [C17172_DAISSY-8X1-SHD-MATT-WHT](#) [C17174_DAISSY-4X1-W-US](#) [CA11267_HEIDI-O-90](#) [CA12878_MIRA-M](#)
[CP12413_LOS-D](#) [CP10944_RGBX-M](#) [FA10661"LXP-RS](#) [FCP15347_FLORENTINA-4X1-O](#) [CN12721_LENA-S-DL](#)