



Ordering number	C11997		
Description	C11997-Emily-SS-was-OSL		
Family	Emily	FWHM	0 degrees
Type	Lens	Efficiency	-
LED	Oslon SSL 80	cd/lm	-
Color	Transparent	Gerber File	Available
Diameter	26 mm		
Height	15.00 mm		
Style	Round		
Optic Material	PMMA		
Holder Material	-		
Fastening	Tape, pin		
Status	Ready		



Ordering number	CA11998		
Description	CA11998_Emily-SS-was-Tape-OSL		
Family	Emily	FWHM	0 degrees
Type	Lens	Efficiency	-
LED	Oslon SSL 80	cd/lm	-
Color	Transparent	Gerber File	Available
Diameter	26 mm		
Height	15.00 mm		
Style	Round		
Optic Material	PMMA		
Holder Material	-		
Fastening	Tape, pin		
Status	Ready		



Ordering number	C11999		
Description	C11999-Emily-O-was-OSL		
Family	Emily	FWHM	0 degrees
Type	Lens	Efficiency	-
LED	Oslon SSL 80	cd/lm	-
Color	Transparent	Gerber File	Available
Diameter	26 mm		
Height	15.00 mm		
Style	Round		
Optic Material	PMMA		
Holder Material	-		
Fastening	Tape, pin		
Status	Tooling		



Ordering number	CA12000		
Description	CA12000_Emily-O-was-Tape-OSL		
Family	Emily	FWHM	0 degrees
Type	Lens	Efficiency	-
LED	Oslon SSL 80	cd/lm	-
Color	Transparent	Gerber File	Available
Diameter	26 mm		
Height	15.00 mm		
Style	Round		
Optic Material	PMMA		
Holder Material	-		
Fastening	Pin, tape		
Status	Ready		



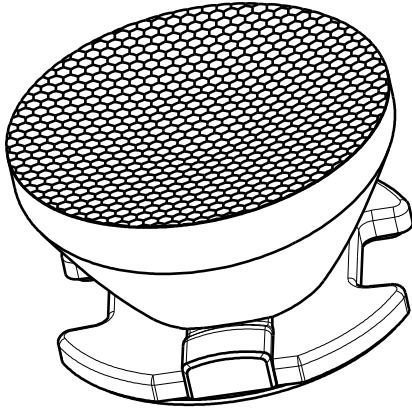
Emily Emily-WAS series

D

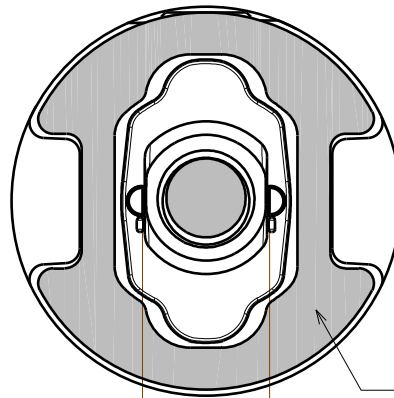
C

B

A



Isometric view



Bottom view

0.4mm tape

8.6

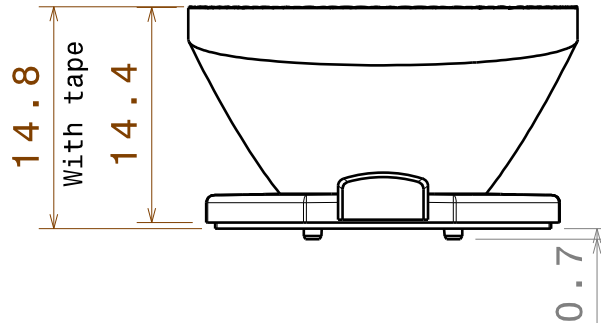
location pins

4

4

3

3



Front view

14.8
With tape
14.4

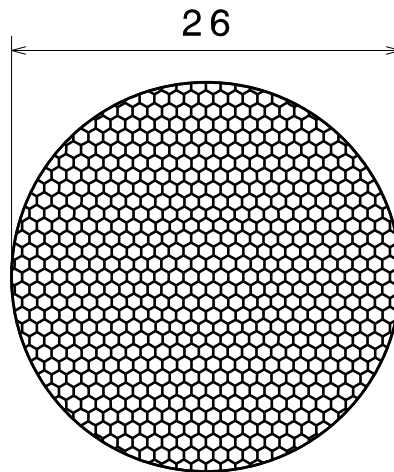
0.7

Part No.s:

- CA11998_Emily-SS-was-Tape-XP
- CA11998_Emily-SS-was-Tape-XP-G
- CA11998_Emily-SS-was-Tape-XM
- CA11998_Emily-SS-was-Tape-RE
- CA11998_Emily-SS-was-Tape-RE-ES
- CA11998_Emily-SS-was-Tape-N19
- CA11998_Emily-SS-was-Tape-OSL
- CA11998_Emily-SS-was-Tape-Z5

- CA12000_Emily-O-was-Tape-XP
- CA12000_Emily-O-was-Tape-XP-G
- CA12000_Emily-O-was-Tape-XM
- CA12000_Emily-O-was-Tape-RE
- CA12000_Emily-O-was-Tape-RE-ES
- CA12000_Emily-O-was-Tape-N19
- CA12000_Emily-O-was-Tape-OSL
- CA12000_Emily-O-was-Tape-Z5

Material: Lens PMMA



Top view

26

2

2

This drawing is our property. It can't be reproduced or communicated without our written agreement.



Ledil Oy
Tehdaskatu 13
FIN-24100 SALO
Finland

DRAWING TITLE

Datasheet Emily-was Assembly

DRAWN BY

mav

DATE

01.03.2011

CHECKED BY

hh

DATE

01.03.2011

SIZE

A4

DRAWING NUMBER

Multiple

REV

1

DESIGNED BY

hh

DATE

25.01.2011

SCALE

2:1

WEIGHT (g)

SHEET

1/1

D

A

1

1

X-ON Electronics

Largest Supplier of Electrical and Electronic Components

Click to view similar products for [Ledil](#) manufacturer:

Other Similar products are found below :

[F10390_PENTA-5-M](#) [C10472_RER-5-M](#) [FCN10804_LR1-RS](#) [FCN11454_LE1-M2](#) [C10365_PLATINUMROCKET-3-W](#)
[C12084_BROOKE-SCR-W](#) [FA10643_TINA-M](#) [C12449_STRADA-T-6X1-DWC](#) [C10686_EVA-W](#) [C11552_BARBARA-S](#)
[CA11264_HEIDI-D](#) [CN12644_LENINA-S](#) [CS14840_HB-2X2MX-M](#) [F14533_ANGELETTE-M](#) [F15244_FLORENCE-ZT25-S](#)
[CN17052_DAISSY-7X1-WW-MATT](#) [C17171_DAISSY-8X1-SHD-MATT](#) [FA11207_TINA-W](#) [FCP13895_SEANNA-A](#) [CN14236_WINNIE-S](#)
[C11795_ANNA-40-4-W](#) [C12358_TYRA3-W](#) [C13508_STRADA-SQ-T2](#) [CP10961_RGBX-SS](#) [CN12646_LENINA-W](#) [CP15304_LARISA-](#)
[RS-PIN](#) [FN13888_BILLIE-A](#) [CP16939_CARMEN-W-C-WHT](#) [C17341_DAISSY-4X1-WW-US-D](#) [C14275_SHELLY-T-6X1-N](#)
[C14346_ANGELETTE-WAS](#) [CA11998_EMILY-SS-WAS](#) [CA12000_EMILY-O-WAS](#) [C13032_BARBARA-WW](#) [C15800_MOLLY-S](#)
[FCN12592_LE1-D-COP](#) [CA12242_HEIDI-SS](#) [CP13682_RGBX2-S](#) [CA11476"TYRA2-M](#) [FS15626_FLORENCE-3R-IP-Z90](#)
[F12916_CRYSTAL-RS](#) [C17172_DAISSY-8X1-SHD-MATT-WHT](#) [C17174_DAISSY-4X1-W-US](#) [CA11267_HEIDI-O-90](#) [CA12878_MIRA-M](#)
[CP12413_LOS-D](#) [CP10944_RGBX-M](#) [FA10661"LXP-RS](#) [FCP15347_FLORENTINA-4X1-O](#) [CN12721_LENA-S-DL](#)