

## Iris series



**Ordering number** CA10861  
**Description** CA10861C\_Iris-SRS

Family	Iris	FWHM	0 degrees
Type	Lens	Efficiency	-
LED	Ostar Lighting	cd/lm	-
Color	Black	Gerber File	Available
Diameter	38 mm		
Height	28.5 mm		
Style	Round		Shipped as unassembled - lens and holder
Optic Material	PMMA		
Holder Material	PC		
Fastening	-		
Status	Ready		



**Ordering number** CA11470  
**Description** CA11470-Iris-O

Family	Iris	FWHM	40+30 degrees
Type	Lens	Efficiency	-
LED	Ostar Lighting	cd/lm	-
Color	Black	Gerber File	Available
Diameter	38 mm		
Height	28.5 mm		
Style	Round		
Optic Material	PMMA		
Holder Material	PC		
Fastening	-		
Status	Ready		

D

C

B

A

4

4

Optional Sublens

Iris Lens

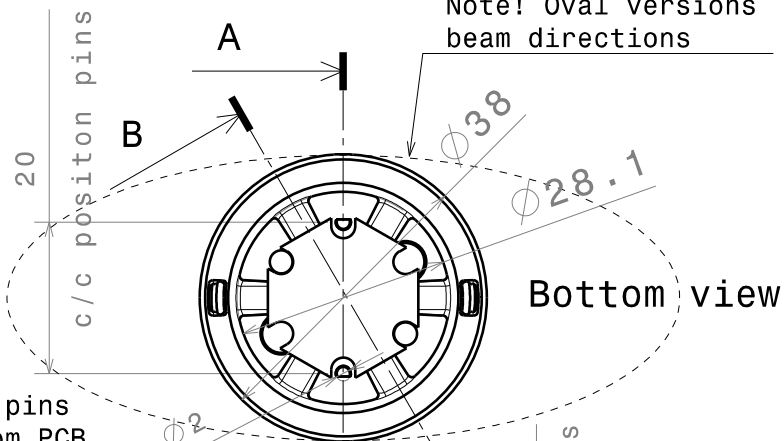
Iris SST-Holder

Led

Section view A-A

Position pins for custom PCB

Note! Oval versions beam directions



Bottom view

3

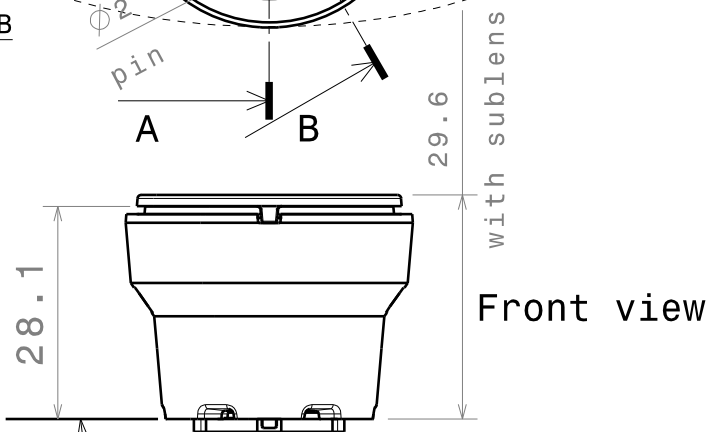
3

6x space for soldering&wires

soldering pad in PCB

1.1 min.

Section view B-B  
Scale: 3:1



Front view

top of PCB

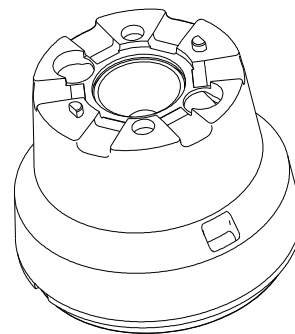
2

2

Materials:  
Lens PMMA  
Holder PC

Part no.s:  
Spot CA11770\_Iris-SST-50  
Medium CA11771\_Iris-M-SST-50  
Oval CA11772\_Iris-0-SST-50  
Spot CA11770\_Iris-SST-90  
Medium CA11771\_Iris-M-SST-90  
Oval CA11772\_Iris-0-SST-90

Isometric view, lenses& holder



This drawing is our property. It can't be reproduced or communicated without our written agreement.



Ledil Oy  
Tehdaskatu 13  
FIN-24100 SALO  
Finland

DRAWING TITLE

Datasheet Iris-SST assy

1

1

DRAWN BY

pv

DATE

29.10.2010

CHECKED BY

tk

DATE

29.10.2010

DESIGNED BY

pv

DATE

28.04.2010

SIZE

A4

DRAWING NUMBER

-

REV

1

SCALE

1:1

WEIGHT (g)

SHEET

1/1

D

A

D

C

B

A

4

4

Optional Sublens

Iris Lens

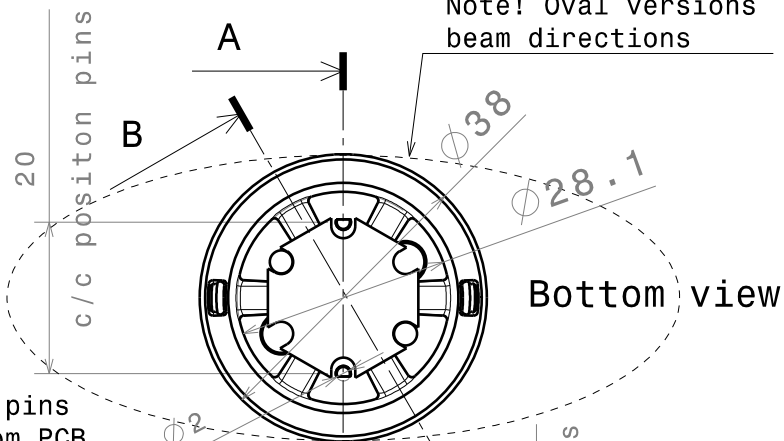
Iris SST-Holder

Led

Section view A-A

Position pins for custom PCB

Note! Oval versions beam directions



Bottom view

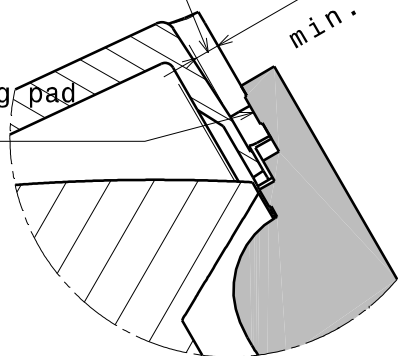
3

3

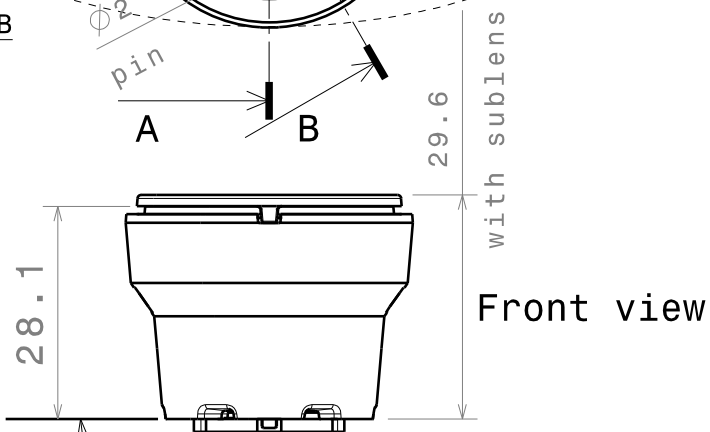
6x space for soldering&wires

soldering pad in PCB

1.1 min.



Section view B-B  
Scale: 3:1



Front view

top of PCB

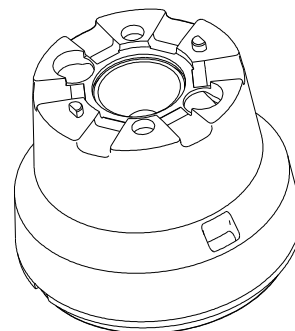
2

2

Materials:  
Lens PMMA  
Holder PC

Part no.s:  
Spot CA11770\_Iris-SST-50  
Medium CA11771\_Iris-M-SST-50  
Oval CA11772\_Iris-0-SST-50  
Spot CA11770\_Iris-SST-90  
Medium CA11771\_Iris-M-SST-90  
Oval CA11772\_Iris-0-SST-90

Isometric view, lenses& holder



This drawing is our property. It can't be reproduced or communicated without our written agreement.



Ledil Oy  
Tehdaskatu 13  
FIN-24100 SALO  
Finland

DRAWING TITLE

Datasheet Iris-SST assy

1

1

DRAWN BY

pv

DATE

29.10.2010

CHECKED BY

tk

DATE

29.10.2010

SIZE

A4

DRAWING NUMBER

-

REV

1

DESIGNED BY

pv

DATE

28.04.2010

SCALE

1:1

WEIGHT (g)

SHEET

1/1

D

A

D

C

B

A

4

4

Optional Sublens

Iris Lens

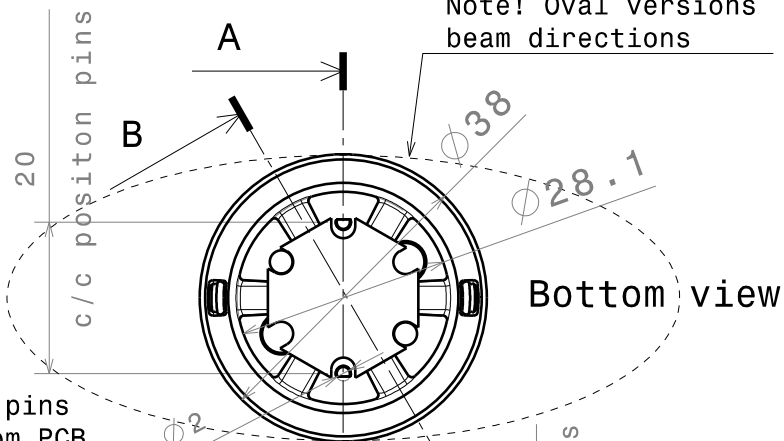
Iris SST-Holder

Led

Section view A-A

Position pins for custom PCB

Note! Oval versions beam directions



Bottom view

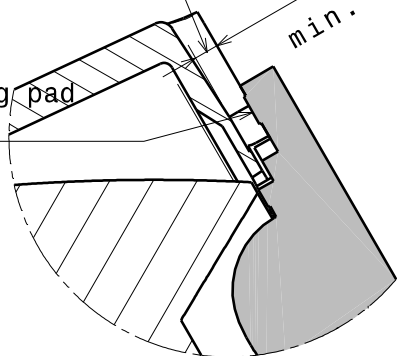
3

3

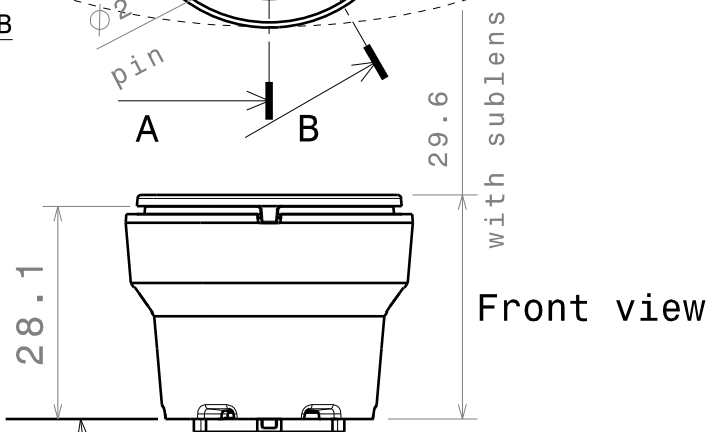
6x space for soldering&wires

1.1 min.

soldering pad in PCB



Section view B-B  
Scale: 3:1



Front view

top of PCB

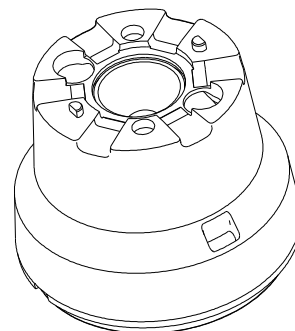
2

2

Materials:  
Lens PMMA  
Holder PC

Part no.s:  
Spot CA11770\_Iris-SST-50  
Medium CA11771\_Iris-M-SST-50  
Oval CA11772\_Iris-0-SST-50  
Spot CA11770\_Iris-SST-90  
Medium CA11771\_Iris-M-SST-90  
Oval CA11772\_Iris-0-SST-90

Isometric view, lenses & holder



This drawing is our property. It can't be reproduced or communicated without our written agreement.



Ledil Oy  
Tehdaskatu 13  
FIN-24100 SALO  
Finland

DRAWING TITLE

Datasheet Iris-SST assy

1

1

DRAWN BY

pv

DATE

29.10.2010

CHECKED BY

tk

DATE

29.10.2010

DESIGNED BY

pv

DATE

28.04.2010

SIZE

A4

DRAWING NUMBER

-

REV

1

SCALE

1:1

WEIGHT (g)

SHEET

1/1

D

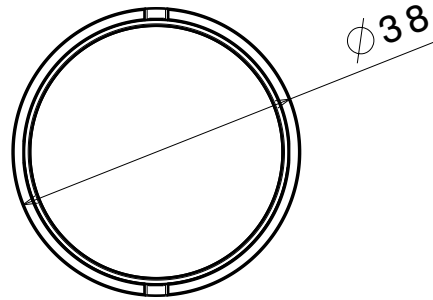
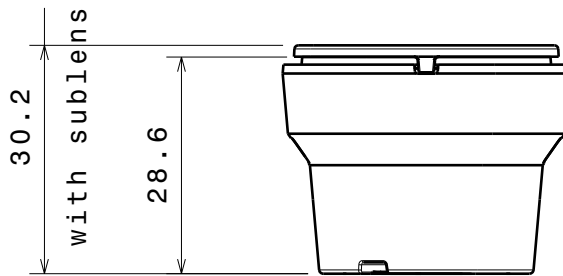
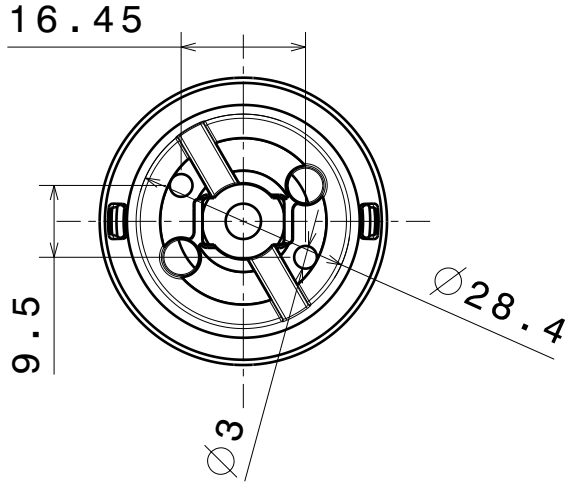
A

D

C

B

A



Materials:  
 Lens PMMA  
 Holder PC

Part no.s:  
 CA10861B\_Iris-IR  
 CA10953B\_Iris-M  
 CA11533\_Iris-IR-0

This drawing is our property.  
 It can't be reproduced  
 or communicated without  
 our written agreement.



L  
T  
F  
F  
e  
e  
i  
i  
N  
n

DRAWING TITLE

Datasheet Iris Ostar IR assy

DRAWN BY  
p  
DATE  
03.02.2009

CHECKED BY  
t k  
DATE  
02.02.2009

DESIGNED BY  
pv  
DATE  
26.01.2009

SIZE A4 DRAWING NUMBER - REV 1

SCALE 1:1 WEIGHT (g) SHEET 1/1

D

A

4

4

3

3

2

2

1

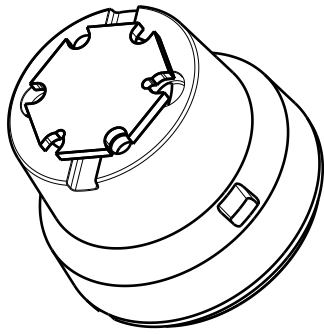
1

D

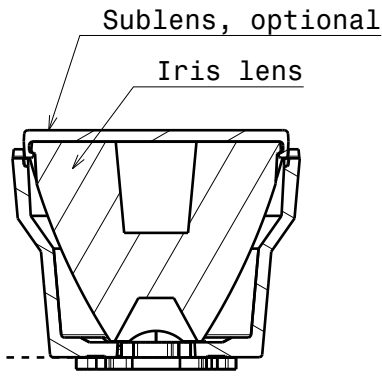
C

B

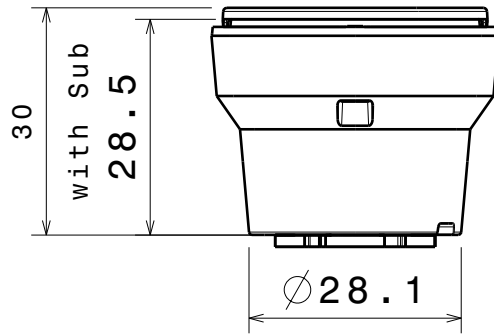
A



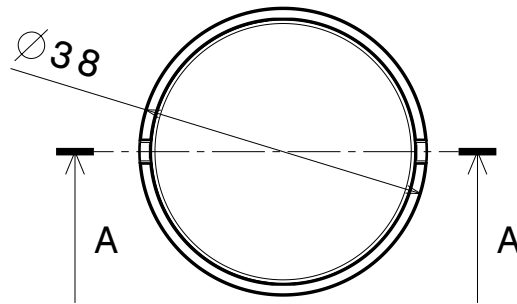
Isometric view



Section view A-A



Front view



Top view

Materials:  
 Lens PMMA  
 Holder PC

Part no.s:  
 Spot CA10861  
 Medium CA10953  
 Oval CA11470

This drawing is our property.  
 It can't be reproduced  
 or communicated without  
 our written agreement.



L  
T  
F  
F

e  
e  
i  
i  
N  
n

d

DRAWING TITLE

Datasheet Iris MC/ Ostar assy

DRAWN BY

DATE

03.02.2009

CHECKED BY

DATE

02.02.2009

DESIGNED BY

DATE

26.01.2009

SIZE

A4

DRAWING NUMBER

-

REV

1

SCALE

1:1

WEIGHT (g)

SHEET

1/1

D

A

4

4

3

3

2

2

1

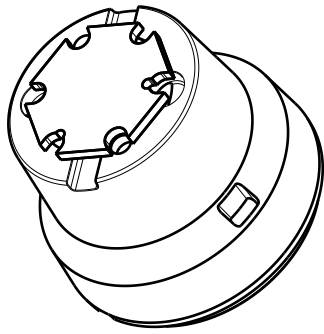
1

D

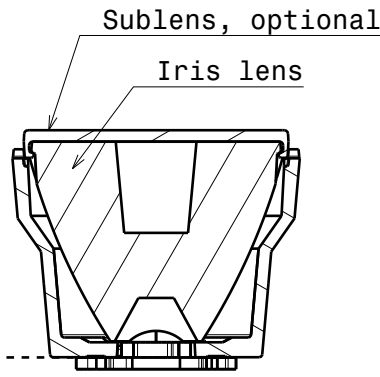
C

B

A

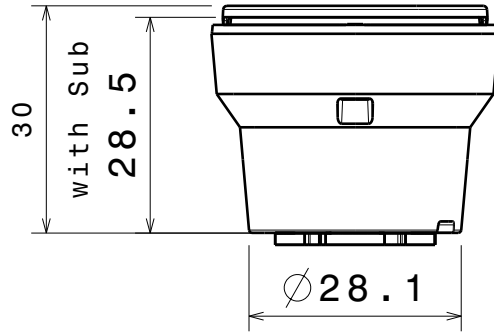


Isometric view

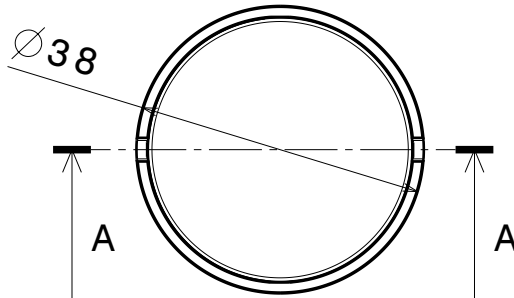


Section view A-A

Pcb top level



Front view



Top view

Materials:  
 Lens PMMA  
 Holder PC

Part no.s:  
 Spot CA10861  
 Medium CA10953  
 Oval CA11470

This drawing is our property.  
 It can't be reproduced  
 or communicated without  
 our written agreement.



L  
T  
F  
F

e  
e  
i  
i  
N  
n

d  
h

DRAWING TITLE

Datasheet Iris MC/ Ostar assy

DRAWN BY p	DATE 03.02.2009
---------------	--------------------

CHECKED BY t k	DATE 02.02.2009
-------------------	--------------------

DESIGNED BY pv	DATE 26.01.2009
-------------------	--------------------

SIZE A4	DRAWING NUMBER -	REV 1
SCALE 1:1	WEIGHT (g)	SHEET 1/1

D

A

4

4

3

3

2

2

1

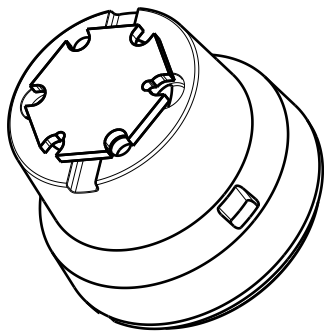
1

D

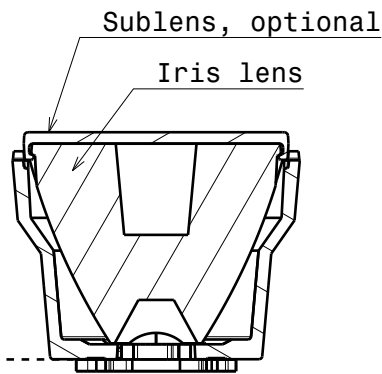
C

B

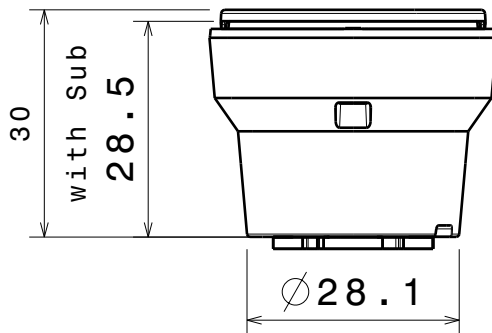
A



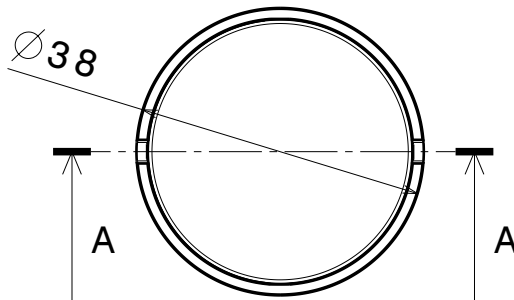
Isometric view



Section view A-A



Front view



Top view

Materials:  
 Lens PMMA  
 Holder PC

Part no.s:  
 Spot CA10861  
 Medium CA10953  
 Oval CA11470

This drawing is our property.  
 It can't be reproduced  
 or communicated without  
 our written agreement.



L  
T  
F  
F

e  
e  
i  
i  
N  
n

d  
h

DRAWING TITLE

Datasheet Iris MC/ Ostar assy

DRAWN BY

DATE

03.02.2009

CHECKED BY

DATE

02.02.2009

DESIGNED BY

DATE

26.01.2009

SIZE

A4

DRAWING NUMBER

-

REV

1

SCALE

1:1

WEIGHT (g)

SHEET

1/1

D

A

4

4

3

3

2

2

1

1

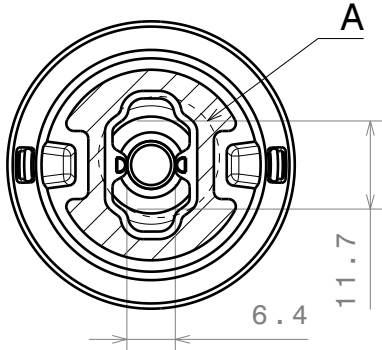


D C B A

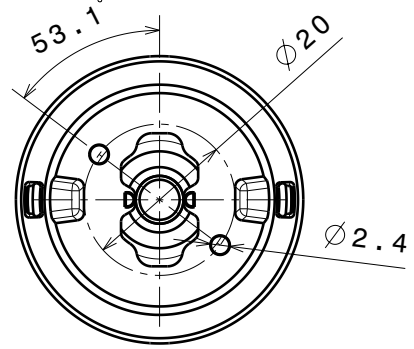
4



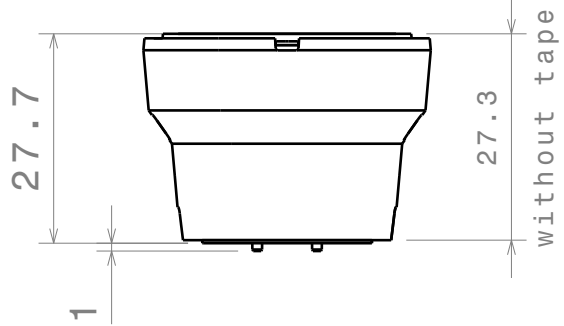
4



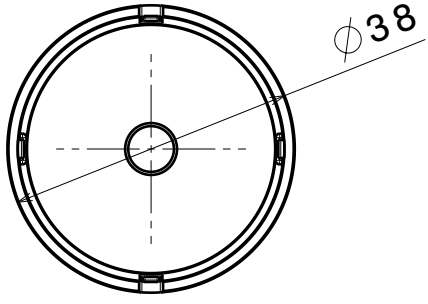
3



3



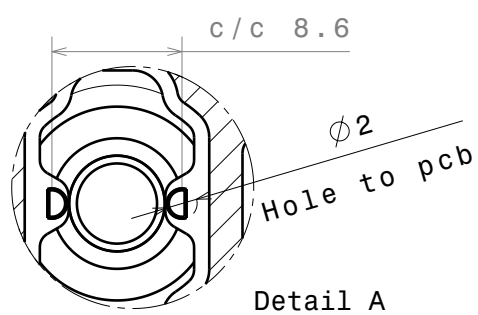
without tape



2

Materials:  
 Lens PMMA  
 Holder PC  
 Tape PU Foam

2



Detail A  
 Scale: 2:1

This drawing is our property.  
 It can't be reproduced  
 or communicated without  
 our written agreement.



L T F F  
 e e i n  
 i n

DRAWING TITLE

Datasheet Iris-XM-tape assy

DRAWN BY  
 p  
 DATE  
 03.02.2011

CHECKED BY  
 h  
 DATE  
 02.02.2011

DESIGNED BY  
 ol  
 DATE  
 19.03.2010

SIZE A4 DRAWING NUMBER - REV 1

SCALE 1:1 WEIGHT (g) SHEET 1/1

1

1

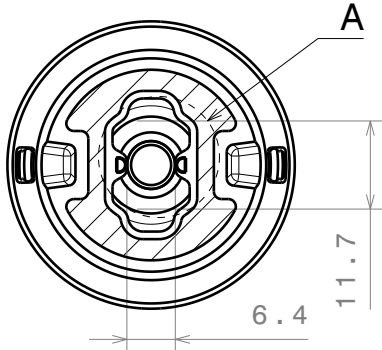
D A

D C B A

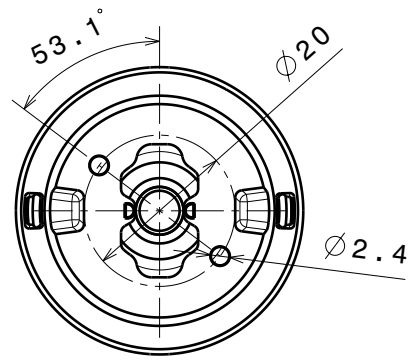
4



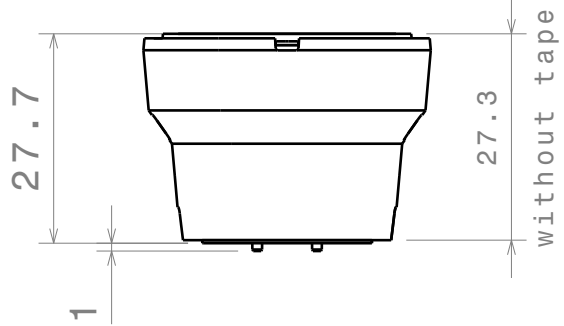
4



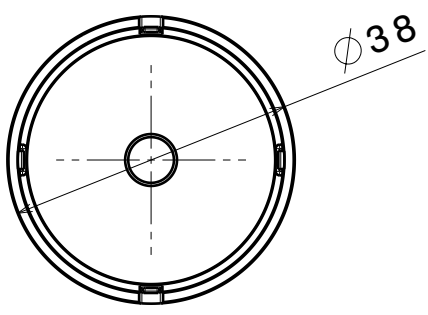
3



3



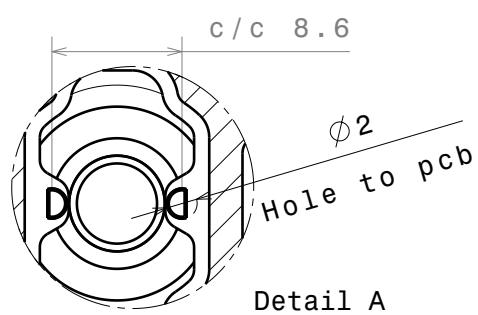
without tape



2

Materials:  
 Lens PMMA  
 Holder PC  
 Tape PU Foam

2



Detail A  
 Scale: 2:1

This drawing is our property.  
 It can't be reproduced  
 or communicated without  
 our written agreement.



DRAWING TITLE

DRAWN BY  
 p

DATE  
 03.02.2011

Datasheet Iris-XM-tape assy

CHECKED BY  
 h

DATE  
 02.02.2011

SIZE  
 A4

DRAWING NUMBER  
 -

REV  
 1

DESIGNED BY  
 ol

DATE  
 19.03.2010

SCALE 1:1

WEIGHT (g)

SHEET 1/1

1

1

D A

D

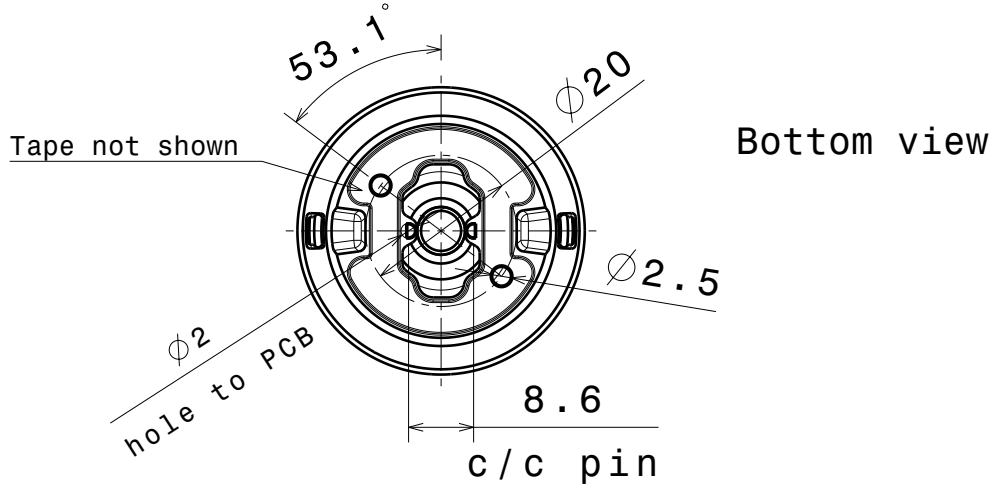
C

B

A

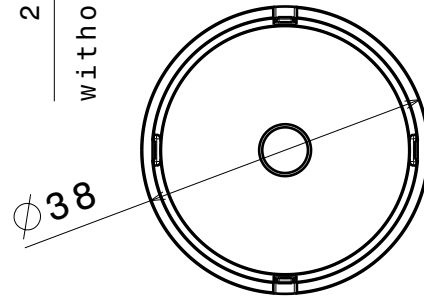
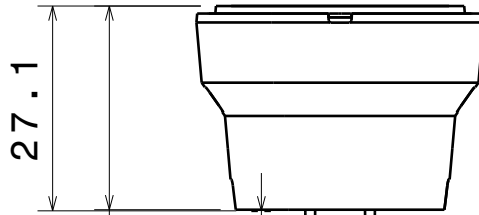
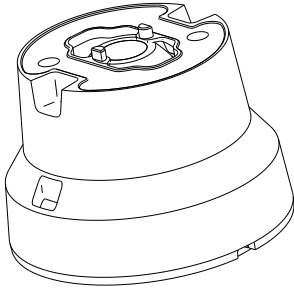
4

4



3

3



2

2

Materials:  
 Lens PMMA  
 Holder PC  
 Tape PU Foam

This drawing is our property.  
 It can't be reproduced  
 or communicated without  
 our written agreement.



L  
T  
F  
F

e  
e  
i  
i  
N  
n

d  
h

DRAWING TITLE

Datasheet Iris-XP-E-tape assy

1

1

DRAWN BY

DATE

p

13.04.2010

CHECKED BY

DATE

t

k

19.03.2010

DESIGNED BY

DATE

ol

19.03.2010

SIZE

A4

DRAWING NUMBER

-

REV

1

SCALE

1:1

WEIGHT (g)

SHEET

1/1

D

A

D

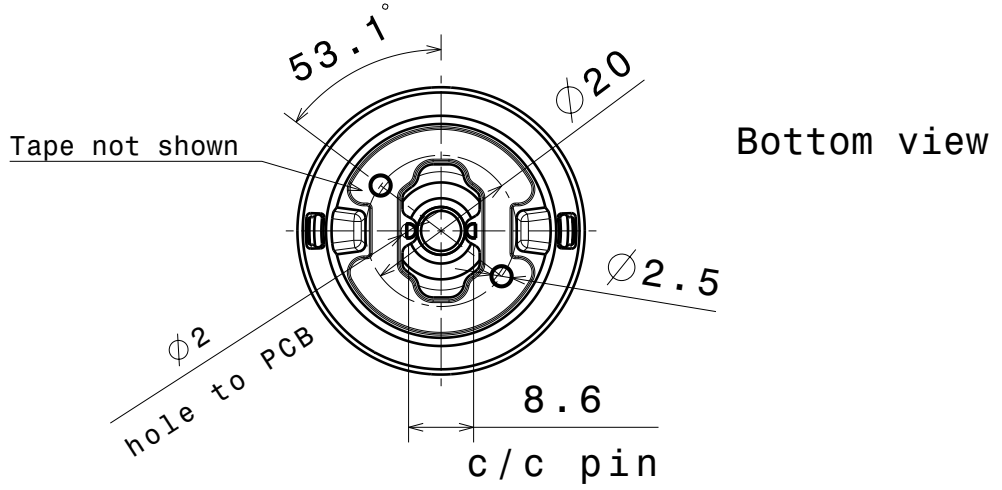
C

B

A

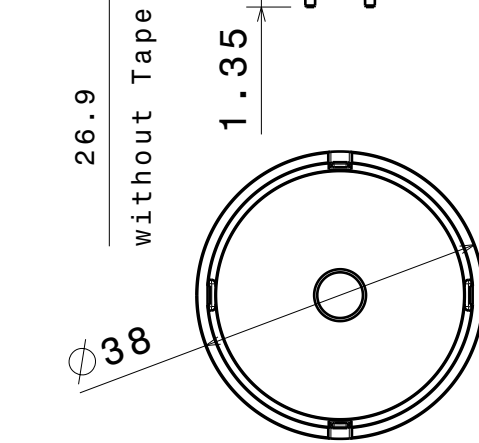
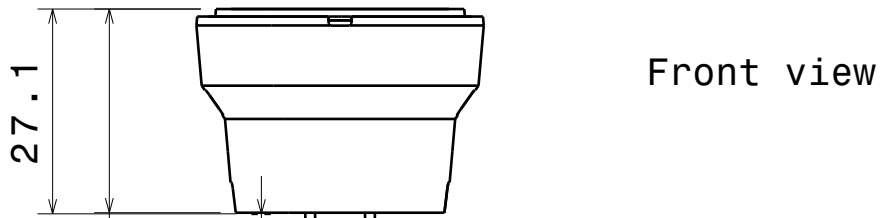
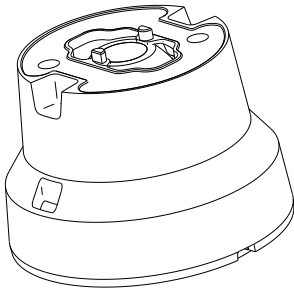
4

4



3

3



2

2

Materials:  
 Lens PMMA  
 Holder PC  
 Tape PU Foam

This drawing is our property.  
 It can't be reproduced  
 or communicated without  
 our written agreement.



L  
T  
F  
F

e  
e  
i  
i  
N  
n

d  
h

DRAWING TITLE

Datasheet Iris-XP-E-tape assy

1

1

DRAWN BY

DATE

p

13.04.2010

CHECKED BY

DATE

t

k

19.03.2010

DESIGNED BY

DATE

ol

19.03.2010

SIZE

A4

DRAWING NUMBER

-

REV

1

SCALE

1:1

WEIGHT (g)

SHEET

1/1

D

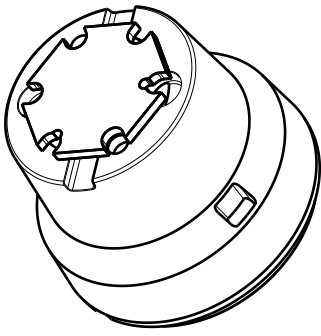
A

D

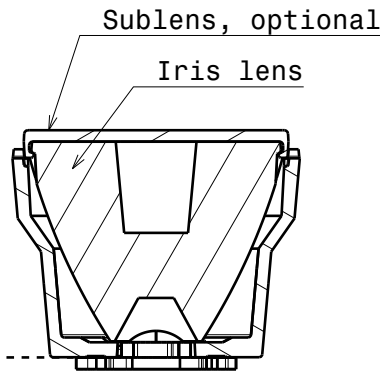
C

B

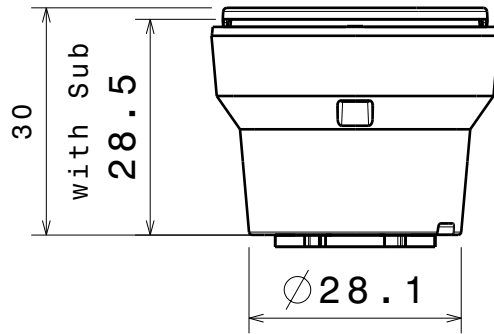
A



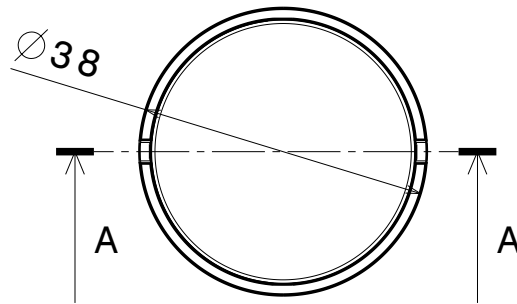
Isometric view



Section view A-A



Front view



Top view

Materials:  
 Lens PMMA  
 Holder PC

Part no.s:  
 Spot CA10861  
 Medium CA10953  
 Oval CA11470

This drawing is our property.  
 It can't be reproduced  
 or communicated without  
 our written agreement.



L  
T  
F  
F

e  
e  
i  
i  
N  
n

d

DRAWING TITLE

Datasheet Iris MC/ Ostar assy

DRAWN BY p	DATE 03.02.2009
---------------	--------------------

CHECKED BY t k	DATE 02.02.2009
-------------------	--------------------

DESIGNED BY pv	DATE 26.01.2009
-------------------	--------------------

SIZE A4	DRAWING NUMBER -	REV 1
SCALE 1:1	WEIGHT (g)	SHEET 1/1

D

A

4

4

3

3

2

2

1

1

## X-ON Electronics

Largest Supplier of Electrical and Electronic Components

*Click to view similar products for [Ledil](#) manufacturer:*

Other Similar products are found below :

[F10390\\_PENTA-5-M](#) [C10472\\_RER-5-M](#) [FCN10804\\_LR1-RS](#) [FCN11454\\_LE1-M2](#) [C10365\\_PLATINUMROCKET-3-W](#)  
[C12084\\_BROOKE-SCR-W](#) [FA10643\\_TINA-M](#) [C12449\\_STRADA-T-6X1-DWC](#) [C10686\\_EVA-W](#) [C11552\\_BARBARA-S](#)  
[CA11264\\_HEIDI-D](#) [CN12644\\_LENINA-S](#) [CS14840\\_HB-2X2MX-M](#) [F14533\\_ANGELETTE-M](#) [F15244\\_FLORENCE-ZT25-S](#)  
[CN17052\\_DAISSY-7X1-WW-MATT](#) [C17171\\_DAISSY-8X1-SHD-MATT](#) [FA11207\\_TINA-W](#) [FCP13895\\_SEANNA-A](#) [CN14236\\_WINNIE-S](#)  
[C11795\\_ANNA-40-4-W](#) [C12358\\_TYRA3-W](#) [C13508\\_STRADA-SQ-T2](#) [CP10961\\_RGBX-SS](#) [CN12646\\_LENINA-W](#) [CP15304\\_LARISA-](#)  
[RS-PIN](#) [FN13888\\_BILLIE-A](#) [CP16939\\_CARMEN-W-C-WHT](#) [C17341\\_DAISSY-4X1-WW-US-D](#) [C14275\\_SHELLY-T-6X1-N](#)  
[C14346\\_ANGELETTE-WAS](#) [CA11998\\_EMILY-SS-WAS](#) [CA12000\\_EMILY-O-WAS](#) [C13032\\_BARBARA-WW](#) [C15800\\_MOLLY-S](#)  
[FCN12592\\_LE1-D-COP](#) [CA12242\\_HEIDI-SS](#) [CP13682\\_RGBX2-S](#) [CA11476"TYRA2-M](#) [FS15626\\_FLORENCE-3R-IP-Z90](#)  
[F12916\\_CRYSTAL-RS](#) [C17172\\_DAISSY-8X1-SHD-MATT-WHT](#) [C17174\\_DAISSY-4X1-W-US](#) [CA11267\\_HEIDI-O-90](#) [CA12878\\_MIRA-M](#)  
[CP12413\\_LOS-D](#) [CP10944\\_RGBX-M](#) [FA10661"LXP-RS](#) [FCP15347\\_FLORENTINA-4X1-O](#) [CN12721\\_LENA-S-DL](#)