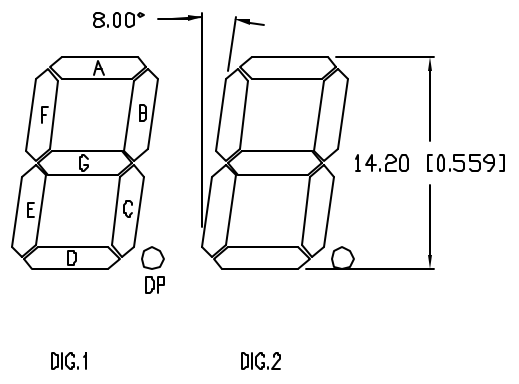


CHARACTER DETAIL



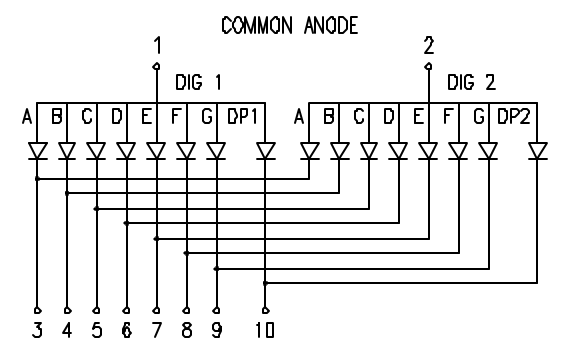
ELECTRO-OPTICAL CHARACTERISTICS $T_A=25^{\circ}\text{C}$ $I_f=10\text{mA}$

PARAMETER	MIN	TYP	MAX	UNITS	TEST COND
PEAK WAVELENGTH		636 (RED)		nm	
FORWARD VOLTAGE		2.0	2.6	V_f	
REVERSE VOLTAGE	5.0			V_r	$I_r=100\mu\text{A}$
AXIAL INTENSITY		15000		μcd	$I_f=10\text{mA}$
EMITTED COLOR:	RED				
FACE COLOR:	GRAY				
SEGMENT COLOR:	MILKY WHITE DIFFUSED				

LIMITS OF SAFE OPERATION AT 25°C PER CHIP

PARAMETER	MAX	UNITS
PEAK FORWARD CURRENT*	150	mA
STEADY CURRENT	30	mA
POWER DISSIPATION	105	mW
DERATE FROM 25°C	-1.2	mW/°C
OPERATING, STORAGE TEMP.	-40 TO +85	°C
SOLDERING TEMP.	+260	°C
2.0mm FROM BODY		3 SEC. MAX

* $t < 10\mu\text{s}$



*UNLESS OTHERWISE SPECIFIED TOLERANCES PER DECIMAL PRECISION ARE: X=±1 (±0.039), X.X=±0.5 (±0.020), X.XX=±0.25 (±0.010), X.XXX=±0.127 (±0.005). LEAD SIZE=±0.05 (±0.002), LEAD LENGTH=±0.75 (±0.030). MIN.= +0.00 DECIMAL PRECISION -0.00 MAX.= +0.00 DECIMAL PRECISION -0.00

REV.	PART NUMBER
	LDD-M514RI-RA-SI

CONFIDENTIAL INFORMATION
THE INFORMATION CONTAINED IN THIS DOCUMENT IS THE PROPERTY OF LUMEX INC. EXCEPT AS SPECIFICALLY AUTHORIZED IN WRITING BY LUMEX INC., THE HOLDER OF THIS DOCUMENT SHALL KEEP ALL INFORMATION CONTAINED HEREIN CONFIDENTIAL AND SHALL PROTECT SAME IN WHOLE OR IN PART FROM DISCLOSURE AND DISSEMINATION TO ALL THIRD PARTIES.

RELIABILITY NOTE
OUR MANY YEARS OF EXPERIENCE DATA ACCUMULATION INDICATE THAT SOLDER HEAT IS A MAJOR CAUSE OF EARLY AND FUTURE FAILURE. PLEASE PAY ATTENTION TO YOUR SOLDERING PROCESS.

290 E. HELEN ROAD
PALATINE, IL 60067-6976
PHONE: +1.847.359.2790
US WEB: www.lumex.com
TW WEB: www.lumex.com.tw

0.56" SEVEN SEGMENT, DUAL DISPLAY,
636nm RED CHIPS, GRAY FACE WITH WHITE SEGMENTS,
COMMON ANODE, RIGHT DECIMAL PLACES, RIGHT ANGLE LEADS.

DRAWN BY: CT	CHECKED BY:	APPROVED BY:	DATE: 10.9.03
			PAGE: 1 OF 1
			SCALE: N/A

X-ON Electronics

Largest Supplier of Electrical and Electronic Components

Click to view similar products for [Lumex manufacturer](#):

Other Similar products are found below :

[SSF-LXH100HD](#) [SSP-13MB152UP12G](#) [SSP-D29B9SYC-12V](#) [SSP-D29E10SUGC-12V](#) [SSP-LT6007U24](#) [LDQ-M513RI](#) [SSA-LXB10GW-GF](#) [SSF-LXH555USBW](#) [LDS-C416RI](#) [SSL-LXA228SGC](#) [SSP-LT600924](#) [SSP-LT6003S24](#) [SSP-D29E10SIC-12V](#) [SSP-D29B9SUGC-12V](#) [SSP-24MB153S12G](#) [SSP-13MDB152UP12G](#) [SSP-11E277U110](#) [SSL-LX5063OD](#) [SSA-LXB07SRW-GF](#) [SML-LXFT1206SOC-TR](#) [LDM-968-P3-UR](#) [SSB-CEL2718UWW](#) [LDM-768-1LT-Y1](#) [LDM-768-1LT-R4](#) [LDM-768-1LT-G4](#) [LDM-6432-P4-BLE4-1](#) [SSI-LXR4915SID-150](#) [SSL-LX3054GD-TR](#) [SSP-48TE277U120](#) [SSP-LXS110818BA](#) [SSI-LXH1090SYD-150](#) [SSP-8GE276U120](#) [SSP-8FE272UP120](#) [SSP-48TE272UP120](#) [SSI-LXW06DNS-Y](#) [SSF-LXH109SISUGW](#) [SML-LXFT0805SYC-TR](#) [SSP-1157B156U12](#) [LDF-C5612RI](#) [SSL-LX20R6YD](#) [SML-LXR2106SUGC-TR](#) [LDT-A512RI](#) [SSP-8FE276U120](#) [SSP-11E272UP110](#) [SSL-LX5099GIW](#) [SSF-LXH104ID-5V](#) [SML-LX1610UWCA](#) [SSL-LX80113ID](#) [SSL-LX20R6ID](#) [SSB-LX2785YW](#)