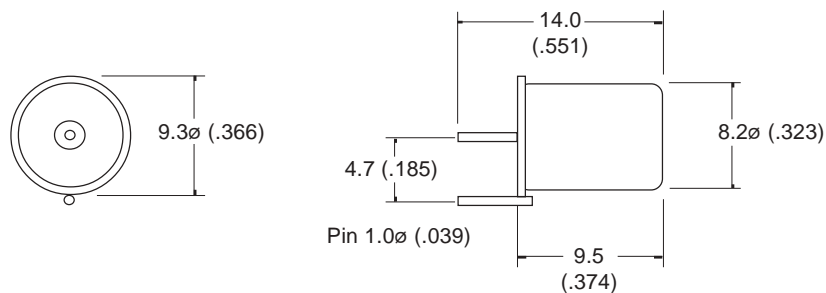


ASSEMtech Europe Ltd

PRODUCT DATA SHEET



Drawings not to scale
All dimensions in mm

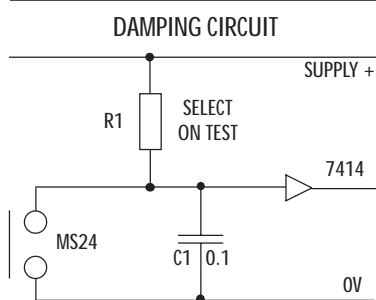
Patent App. 98 09677.9

This non-mercury sensor has been specifically designed for the detection of movement and vibration. The sensor is non position sensitive offering a similar level of sensitivity whatever its position and has been designed for use with analogue or digital circuitry. The sensor reacts when disturbed by giving a fleeting change of state (ie n/o to n/c or vice versa). The time taken to settle depends on the amount of energy absorbed by the device, the settled state will be random unless mounting attitude is chosen for a n/c output.

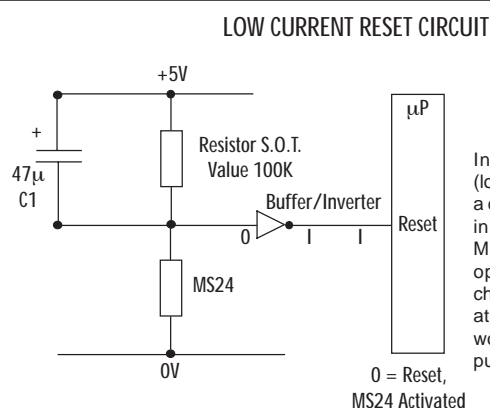
The low contact resistance of this device makes it ideal for incorporating into new or existing designs.

SPECIFICATION

SWITCHING VOLTAGE	Max. Vac	24
SWITCHING CURRENT	Max. A	0.25
SWITCHING CAPACITY	Max. VA	5
OPERATING ANGLE	Max. °Deg	N/A
CONTACT RESISTANCE	Max. Ω	5
OPERATING TEMPERATURE	Deg. °C	-37° +100°
STORAGE TEMPERATURE	Deg. °C	-40° +125°
CASE MATERIAL		Steel - Gold plated
CABLE/TERMINATION		Pin
FEATURES		Non-mercury contacts Omni-Directional



The output of the MS24 may be damped when less sensitivity is required by using a Schmitt trigger device as shown. Lowering the value of R1 (100 ohm min) will reduce the sensitivity of the switch.



Inverter input held at 0V (logic 0) with no disturbance, a charge is permanently held in C1. With movement the MS24 goes momentarily open circuit allowing the charged capacitor to be seen at the inverter input which would change state giving a pulse to reset.

0 = Reset,
MS24 Activated

MOVEMENT / VIBRATION SENSOR

Non Mercury Contacts

PART NUMBER
MS 24

Rev. No.	Revision Note	Date	Signature
F	Web Site 2003	1-4-03	RG



BS5750/ISO 9000
Reg. No. FM 21080

X-ON Electronics

Largest Supplier of Electrical and Electronic Components

Click to view similar products for [Board Mount Pressure Sensors](#) category:

Click to view products by [Assemtech](#) manufacturer:

Other Similar products are found below :

[80527-25.0H2-05](#) [80541-B00000150-01](#) [80541-B00000200-05](#) [80554-00700100-05](#) [80568-00300050-01](#) [81618-B00000040-01](#) [81739-B00000900-01](#) [81807-B00000020-01](#) [81808-B00000150-14](#) [82903-B00000020-01](#) [93.631.4253.0](#) [93.731.4353.0](#) [93.932.4553.0](#) [136PC150G2](#) [136PC15A1](#) [142PC95AW71](#) [142PC05DW70](#) [MPXV2202DPT1](#) [15PSI-G-4V](#) [1805-01A-L0N-B](#) [2000317-1](#) [26PCBKT](#) [26PCCFA6D26](#) [26PCCFS2G](#) [26PCCVA6D](#) [93.632.7353.0](#) [93.731.3653.0](#) [93.931.4853.0](#) [93.932.4853.0](#) [SCDA120-XSC05DC](#) [SP370-23-156-0](#) [185PC30DH](#) [192992-0059](#) [20INCH-G-MV-MINI](#) [26PCAFJ3G](#) [26PCAFS2G54](#) [26PCCEP5G24](#) [26PCJEU5G19](#) [30INCH-D1-MV-MINI](#) [ASCX15AN-90](#) [TSCSAAN001PDUCV](#) [DCAL401DN](#) [DCAL401GN](#) [XZ202798SSC](#) [XZ203676HSC](#) [SP370-25-116-0](#) [81717-00000050-05](#) [81794-B00001200-01](#) [HSCDLNN100PGAA5](#) [81618-B00000040-05](#)