



**Ordering number FCN12076\_IRIS-SCREW**

Family	Iris	FWHM	5 degrees
Type	Lens	Efficiency	93 %
LED	LUXEON Rebel	cd/lm	75.600
Color	Black	Gerber File	Available
Diameter	38 mm		
Height	26.9 mm		
Style	Round		
Optic Material	PMMA		
Holder Material	PC		
Fastening	Screw, pin, glue		
Status	Ready		

**Ordering number FCX12077\_IRIS**

Family	Iris	FWHM	5 degrees
Type	Lens	Efficiency	-
LED	LUXEON Rebel	cd/lm	75.600
Color	Black	Gerber File	Available
Diameter	38 mm		
Height	28.5 mm		
Style	Round		
Optic Material	PMMA		
Holder Material	PC		
Fastening	Pin, tape		
Status	Ready		

**NOTE: The typical divergence will be changed by different color, chip size and chip position tolerance. The typical total divergence is the full angle measured where the luminous intensity is half of the peak value.**



# PRODUCT DATASHEET

## Iris series

last update 27/2/2012



### GENERAL INFORMATION

- Product series especially designed & optimized for LUXEON Rebel series of LEDs.
- Special care taken to make light distribution as uniform as possible.
- Lens material optical grade PMMA with high UV and temperature resistance (105 degrees of Celcius / 220 degrees of Fahrenheit). Allows use of high current and temperature conditions.

Please find more information about used material from below:

[http://ledil.fi/sites/default/files/Documents/Technical/Material/PMMA%20N%20UL94\\_Yellow%20Card.pdf](http://ledil.fi/sites/default/files/Documents/Technical/Material/PMMA%20N%20UL94_Yellow%20Card.pdf)

<http://ledil.fi/sites/default/files/Documents/Technical/Material/PMMA%20N%20PLEXIGLAS-Datasheet.pdf>

- Optic holder molded by high quality PC material (120 degees of Celcius / 248 degrees of Fahrenheit).

- Fastening to heat sink with a PU foam adhesive tape of automotive grade. Please find fastening details by clicking link: [http://www.ledil.com/datasheets/DataSheet\\_TAPE.pdf](http://www.ledil.com/datasheets/DataSheet_TAPE.pdf)

- Fastening to PCB with appropriate adhesive. By clicking link below you can find Ledil recommended glue options.

[http://www.ledil.com/datasheets/DataSheet\\_GLUES.pdf](http://www.ledil.com/datasheets/DataSheet_GLUES.pdf)

**NOTE 1: We advise customer to ensure the suitability and sufficiency of the bond in the end product. For example, mechanical stress, vibration and holes on the surface of the circuit board weaken the strength of the tape.**

**NOTE 2: Assembly to the surface must be made straight, so the tape bonds constant and balanced with fastening surface. Slanted assembly might cause unbalanced bond to the surface. All surfaces where tape is applied must be clean, dry and free from grease and dirt.**

**If cleaning of PCB surfaces is needed, please follow strictly the cleaning instructions of your LED manufacturer - this is important as cleaning shall under no circumstances damage LEDs or other electronics components on the PCB.**

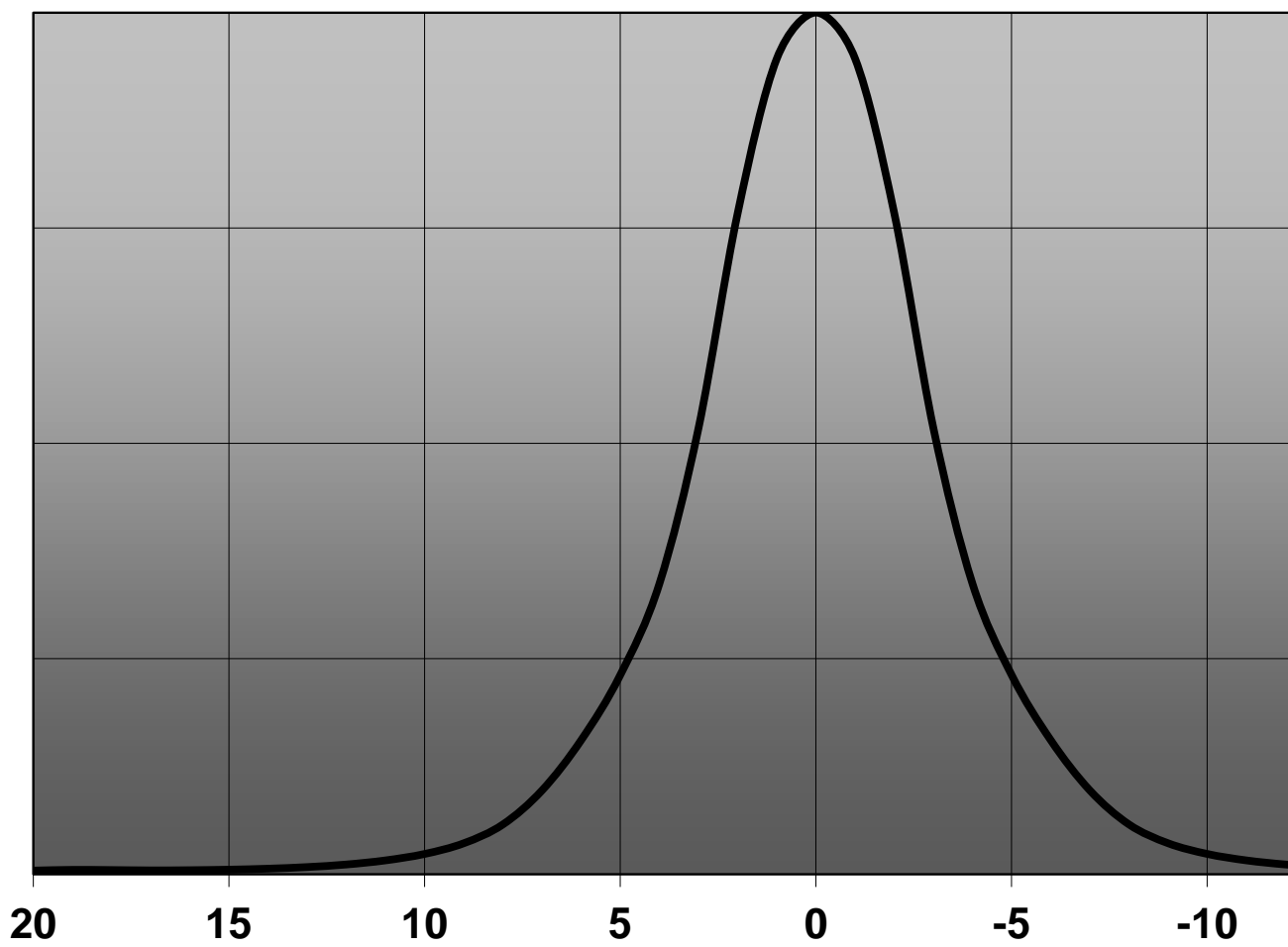
**Further note that optical components shall not be cleaned with any chemicals - only micro fiber cloth may be used to remove fingerprints or other traces from handling.**

**NOTE 1: We advise customer to ensure the suitability and sufficiency of the bond in the end product. For example, mechanical stress, vibration and holes on the surface of the circuit board weaken the strength of the glue.**

**NOTE 2: All surfaces where glue is applied must be clean, dry and free from grease and dirt. If cleaning of PCB surfaces is needed, please follow strictly the cleaning instructions of your LED manufacturer -this is important as cleaning shall under no circumstances damage LEDs or other electronics components on the PCB.**

**Further note that optical components shall not be cleaned with any chemicals - only micro fiber cloth may be used to remove fingerprints or other traces from handling.**

Relative intensity of C4F12077\_Iris-XP-G-ta



D

C

B

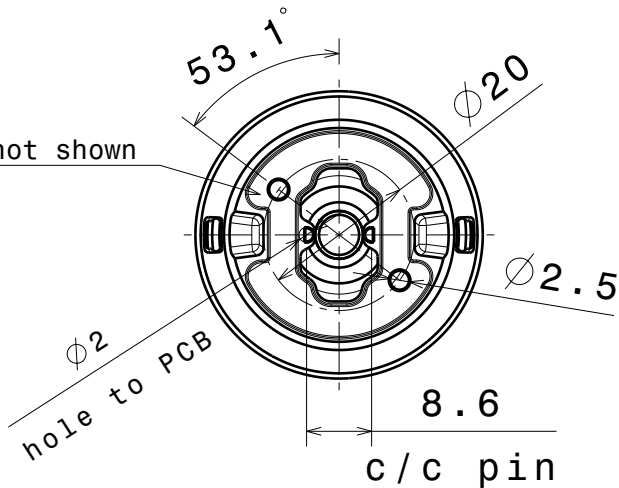
A

4

4

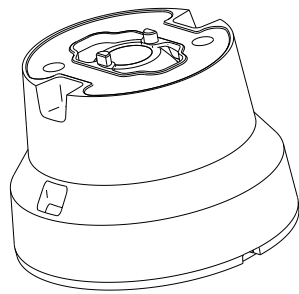
Tape not shown

Bottom view

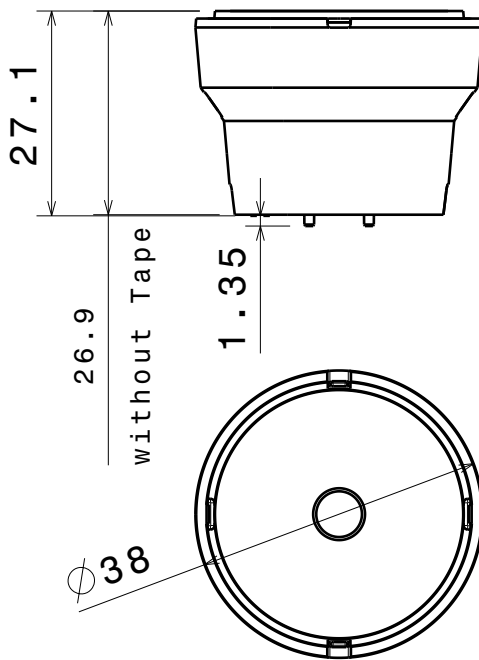


3

3



Front view



Top view

2

2

Materials:  
 Lens PMMA  
 Holder PC  
 Tape PU Foam

This drawing is our property.  
 It can't be reproduced  
 or communicated without  
 our written agreement.



L  
T  
F  
F

e  
e  
i  
i  
N  
n

d  
h

DRAWING TITLE

Datasheet Iris-XP-E-tape assy

1

1

DRAWN BY

DATE

p

13.04.2010

CHECKED BY

DATE

t

k

19.03.2010

DESIGNED BY

DATE

ol

19.03.2010

SIZE

A4

DRAWING NUMBER

-

REV

1

SCALE

1:1

WEIGHT (g)

SHEET

1/1

D

A

## X-ON Electronics

Largest Supplier of Electrical and Electronic Components

*Click to view similar products for [Ledil](#) manufacturer:*

Other Similar products are found below :

[F10390\\_PENTA-5-M](#) [C10472\\_RER-5-M](#) [FCN10804\\_LR1-RS](#) [FCN11454\\_LE1-M2](#) [C10365\\_PLATINUMROCKET-3-W](#)  
[C12084\\_BROOKE-SCR-W](#) [FA10643\\_TINA-M](#) [C12449\\_STRADA-T-6X1-DWC](#) [C10686\\_EVA-W](#) [C11552\\_BARBARA-S](#)  
[CA11264\\_HEIDI-D](#) [CN12644\\_LENINA-S](#) [CS14840\\_HB-2X2MX-M](#) [F14533\\_ANGELETTE-M](#) [F15244\\_FLORENCE-ZT25-S](#)  
[CN17052\\_DAISSY-7X1-WW-MATT](#) [C17171\\_DAISSY-8X1-SHD-MATT](#) [FA11207\\_TINA-W](#) [FCP13895\\_SEANNA-A](#) [CN14236\\_WINNIE-S](#)  
[C11795\\_ANNA-40-4-W](#) [C12358\\_TYRA3-W](#) [C13508\\_STRADA-SQ-T2](#) [CP10961\\_RGBX-SS](#) [CN12646\\_LENINA-W](#) [CP15304\\_LARISA-](#)  
[RS-PIN](#) [FN13888\\_BILLIE-A](#) [CP16939\\_CARMEN-W-C-WHT](#) [C17341\\_DAISSY-4X1-WW-US-D](#) [C14275\\_SHELLY-T-6X1-N](#)  
[C14346\\_ANGELETTE-WAS](#) [CA11998\\_EMILY-SS-WAS](#) [CA12000\\_EMILY-O-WAS](#) [C13032\\_BARBARA-WW](#) [C15800\\_MOLLY-S](#)  
[FCN12592\\_LE1-D-COP](#) [CA12242\\_HEIDI-SS](#) [CP13682\\_RGBX2-S](#) [CA11476"TYRA2-M](#) [FS15626\\_FLORENCE-3R-IP-Z90](#)  
[F12916\\_CRYSTAL-RS](#) [C17172\\_DAISSY-8X1-SHD-MATT-WHT](#) [C17174\\_DAISSY-4X1-W-US](#) [CA11267\\_HEIDI-O-90](#) [CA12878\\_MIRA-M](#)  
[CP12413\\_LOS-D](#) [CP10944\\_RGBX-M](#) [FA10661"LXP-RS](#) [FCP15347\\_FLORENTINA-4X1-O](#) [CN12721\\_LENA-S-DL](#)