



<b>Ordering number</b>	<b>C10891</b>		
<b>Description</b>	<b>C10891_GT3-RE-S</b>		
Family	Gt3	FWHM	16 degrees
Type	Lens	Efficiency	-
LED	Luxeon-Rebel	cd/lm	-
Color	Transparent	Gerber File	Available
Diameter	35 mm		
Height	9 mm		
Style	Round		
Optic Material	PMMA		
Holder Material	-		
Fastening	-		
Status	Ready		



<b>Ordering number</b>	<b>C10892</b>		
<b>Description</b>	<b>C10892_GT3-RE-M</b>		
Family	Gt3	FWHM	28 degrees
Type	Lens	Efficiency	-
LED	Luxeon-Rebel	cd/lm	-
Color	Transparent	Gerber File	Available
Diameter	35 mm		
Height	9 mm		
Style	Round		
Optic Material	PMMA		
Holder Material	-		
Fastening	Glue, pin		
Status	Ready		



<b>Ordering number</b>	<b>C10893</b>		
<b>Description</b>	<b>C10893_GT3-RE-W</b>		
Family	Gt3	FWHM	38 degrees
Type	Lens	Efficiency	-
LED	Luxeon-Rebel	cd/lm	-
Color	Transparent	Gerber File	Available
Diameter	35 mm		
Height	9 mm		
Style	Round		
Optic Material	PMMA		
Holder Material	-		
Fastening	-		
Status	Ready		

**NOTE: The typical divergence will be changed by different color, chip size and chip position tolerance. The typical total divergence is the full angle measured where the luminous intensity is half of the peak value.**



## PRODUCT DATASHEET Gt3 series

PHILIPS  
LUMILEDS

### GENERAL INFORMATION

- Product series especially designed & optimized for Luxeon-Rebel series of LEDs.
- Special care taken to make light distribution as uniform as possible.
- Lens material optical grade PMMA with high UV and temperature resistance (105 degrees of Celcius / 220 degrees of Fahrenheit). Allows use of high current and temperature conditions.

Please find more information about used material from below:

[http://ledil.fi/sites/default/files/Documents/Technical/Material/PMMA%20N%20UL94\\_Yellow%20Card.pdf](http://ledil.fi/sites/default/files/Documents/Technical/Material/PMMA%20N%20UL94_Yellow%20Card.pdf)

<http://ledil.fi/sites/default/files/Documents/Technical/Material/PMMA%20N%20PLEXIGLAS-Datasheet.pdf>

- Fastening to PCB with appropriate adhesive. By clicking link below you can find Ledil recommended glue options.

[http://www.ledil.com/datasheets/DataSheet\\_GLUES.pdf](http://www.ledil.com/datasheets/DataSheet_GLUES.pdf)

**NOTE 1: We advise customer to ensure the suitability and sufficiency of the bond in the end product. For example, mechanical stress, vibration and holes on the surface of the circuit board weaken the strength of the glue.**

**NOTE 2: All surfaces where glue is applied must be clean, dry and free from grease and dirt. If cleaning of PCB surfaces is needed, please follow strictly the cleaning instructions of your LED manufacturer -this is important as cleaning shall under no circumstances damage LEDs or other electronics components on the PCB.**

**Further note that optical components shall not be cleaned with any chemicals - only micro fiber cloth may be used to remove fingerprints or other traces from handling.**

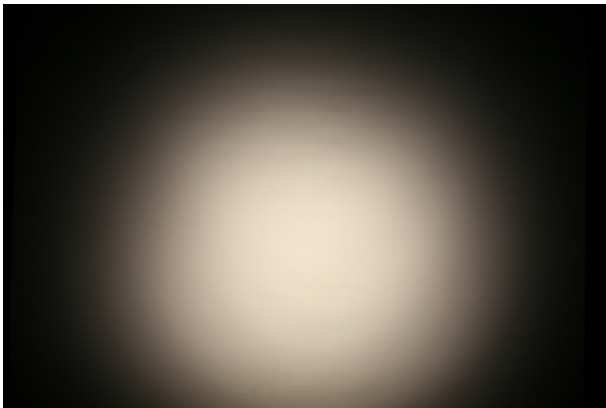
**C10891**



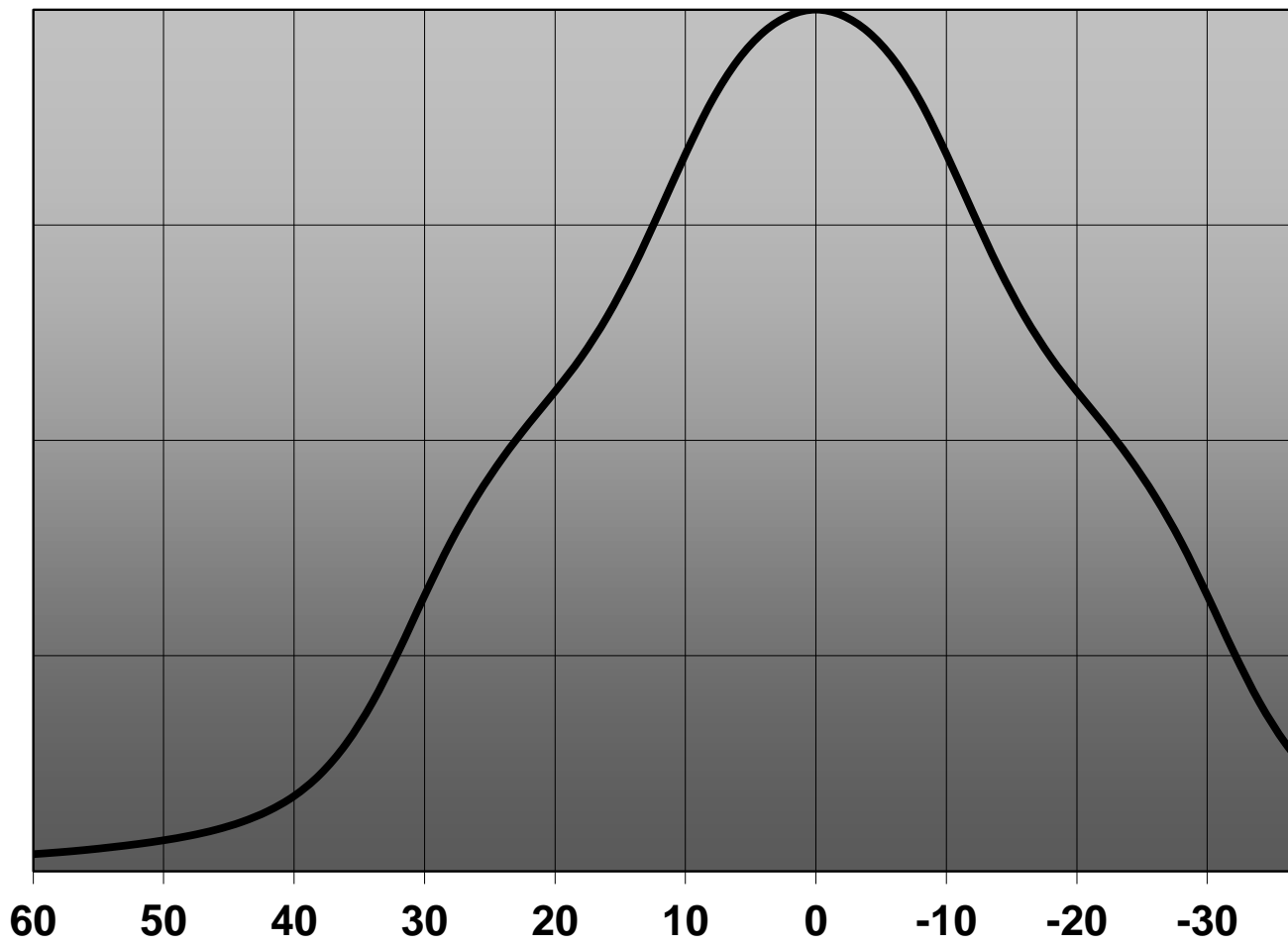
**C10892**



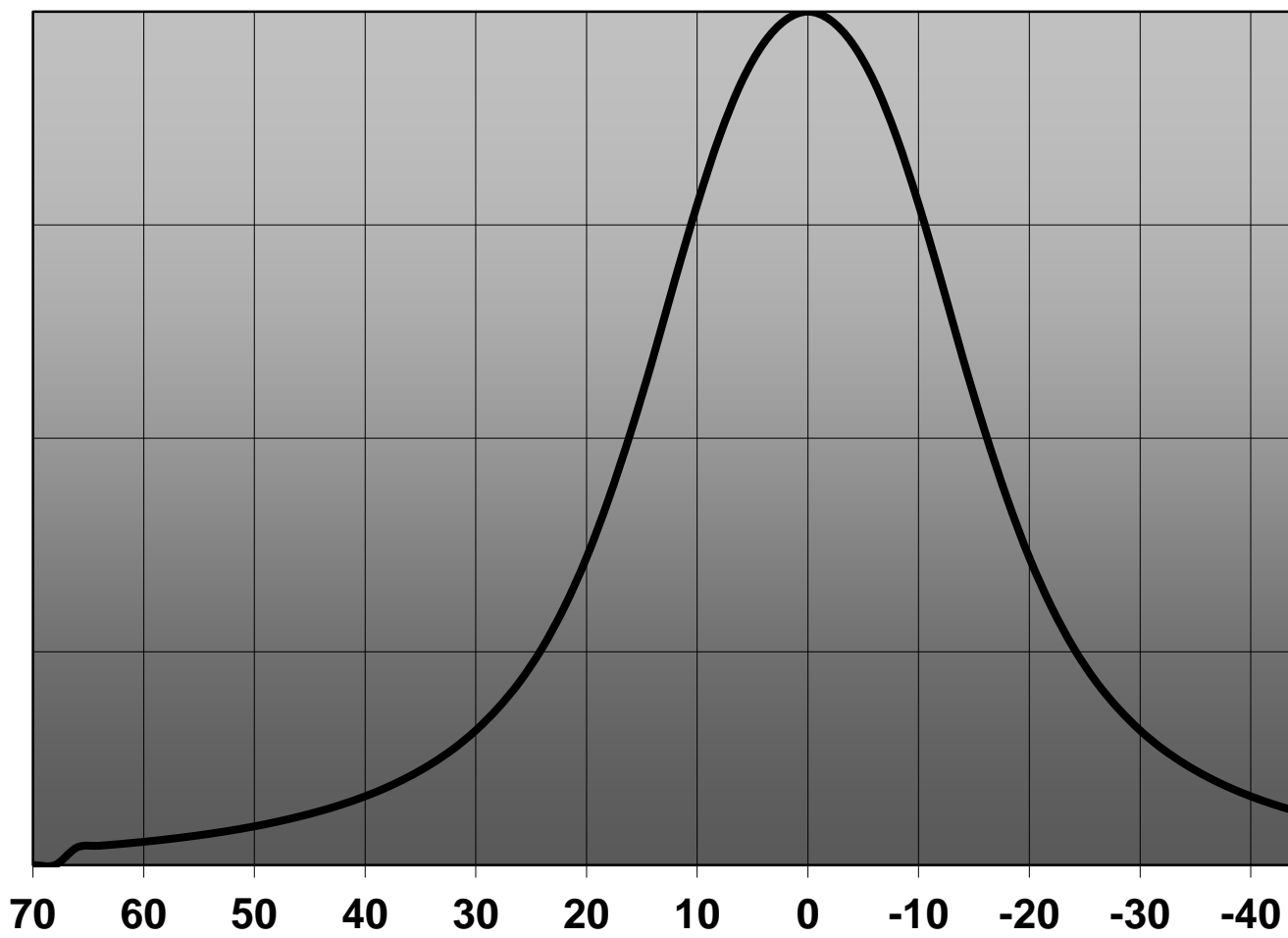
**C10893**

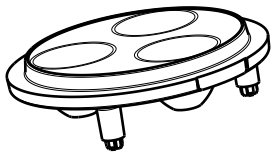


### Relative intensity of C11624-GT3-RE-WW



**Relative intensity of C10891\_GT3-RE-S**



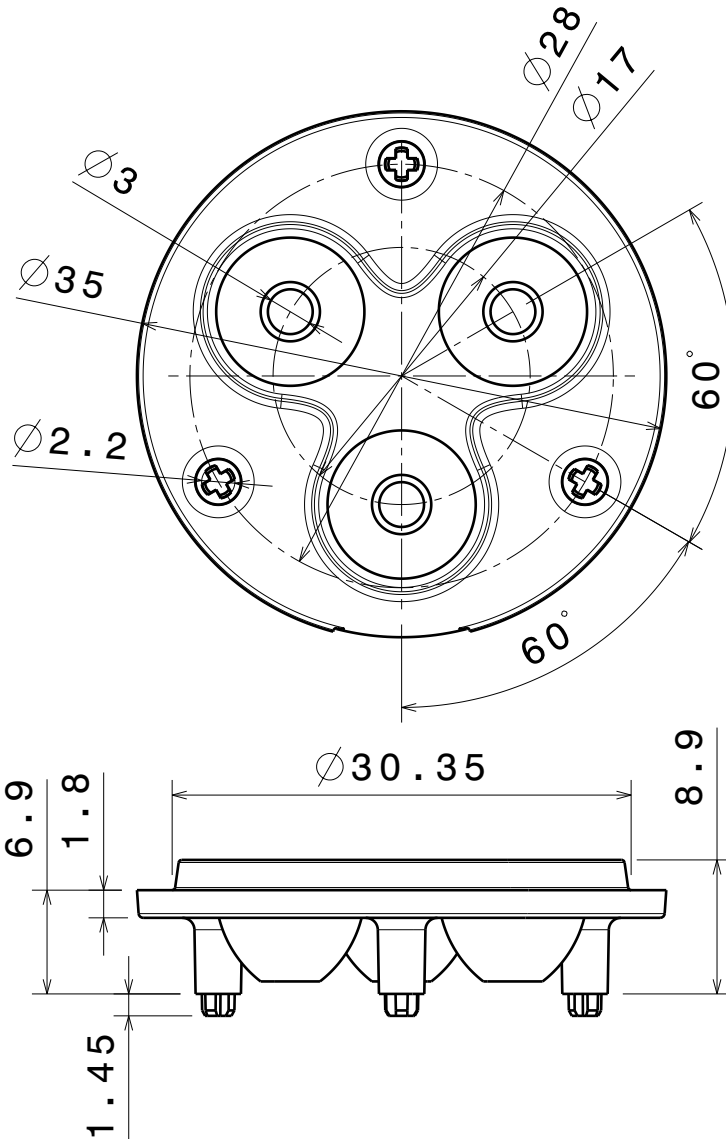


Isometric view  
Scale: 1:1

Material: PMMA

Part no.s:

- C10891\_GT3-XP-S
- C10891\_GT3-XP-G-S
- C10891\_GT3-OSL-S
- C10891\_GT3-DD-S
- C10891\_GT3-RE-ES-M
- C10891\_GT3-Z5-S
- C10892\_GT3-XP-M
- C10892\_GT3-XP-G-M
- C10892\_GT3-OSL-M
- C10892\_GT3-DD-M
- C10892\_GT3-XP-M
- C10892\_GT3-Z5-M
- C10893\_GT3-XP-W
- C10893\_GT3-XP-G-W
- C10893\_GT3-OSL-W
- C10893\_GT3-DD-W
- C10893\_GT3-RE-ES-W
- C11623\_GT3-RE-WW
- C11623\_GT3-N19-WW
- C11624\_GT3-XP-WW
- C11624\_GT3-XP-G-WW
- C11624\_GT3-OSL-WW
- C11624\_GT3-DD-WW
- C11624\_GT3-Z5-WW



Bottom view

Front view

This drawing is our property.  
It can't be reproduced  
or communicated without  
our written agreement.



L  
T  
F  
F

e  
e  
i  
i  
N  
n

DRAWING TITLE

Datasheet GT3-Series Lens

DRAWN BY p		DATE 08.01.2010		DRAWING TITLE Datasheet GT3-Series Lens			
CHECKED BY t k		DATE 07.01.2010		SIZE A4	DRAWING NUMBER -		REV 1
DESIGNED BY hh		DATE 07.01.2010		SCALE 2:1	WEIGHT (g)	SHEET 1/1	

## X-ON Electronics

Largest Supplier of Electrical and Electronic Components

*Click to view similar products for [Ledil](#) manufacturer:*

Other Similar products are found below :

[F10390\\_PENTA-5-M](#) [C10472\\_RER-5-M](#) [FCN10804\\_LR1-RS](#) [FCN11454\\_LE1-M2](#) [C10365\\_PLATINUMROCKET-3-W](#)  
[C12084\\_BROOKE-SCR-W](#) [FA10643\\_TINA-M](#) [C12449\\_STRADA-T-6X1-DWC](#) [C10686\\_EVA-W](#) [C11552\\_BARBARA-S](#)  
[CA11264\\_HEIDI-D](#) [CN12644\\_LENINA-S](#) [CS14840\\_HB-2X2MX-M](#) [F14533\\_ANGELETTE-M](#) [F15244\\_FLORENCE-ZT25-S](#)  
[CN17052\\_DAISSY-7X1-WW-MATT](#) [C17171\\_DAISSY-8X1-SHD-MATT](#) [FA11207\\_TINA-W](#) [FCP13895\\_SEANNA-A](#) [CN14236\\_WINNIE-S](#)  
[C11795\\_ANNA-40-4-W](#) [C12358\\_TYRA3-W](#) [C13508\\_STRADA-SQ-T2](#) [CP10961\\_RGBX-SS](#) [CN12646\\_LENINA-W](#) [CP15304\\_LARISA-](#)  
[RS-PIN](#) [FN13888\\_BILLIE-A](#) [CP16939\\_CARMEN-W-C-WHT](#) [C17341\\_DAISSY-4X1-WW-US-D](#) [C14275\\_SHELLY-T-6X1-N](#)  
[C14346\\_ANGELETTE-WAS](#) [CA11998\\_EMILY-SS-WAS](#) [CA12000\\_EMILY-O-WAS](#) [C13032\\_BARBARA-WW](#) [C15800\\_MOLLY-S](#)  
[FCN12592\\_LE1-D-COP](#) [CA12242\\_HEIDI-SS](#) [CP13682\\_RGBX2-S](#) [CA11476"TYRA2-M](#) [FS15626\\_FLORENCE-3R-IP-Z90](#)  
[F12916\\_CRYSTAL-RS](#) [C17172\\_DAISSY-8X1-SHD-MATT-WHT](#) [C17174\\_DAISSY-4X1-W-US](#) [CA11267\\_HEIDI-O-90](#) [CA12878\\_MIRA-M](#)  
[CP12413\\_LOS-D](#) [CP10944\\_RGBX-M](#) [FA10661"LXP-RS](#) [FCP15347\\_FLORENTINA-4X1-O](#) [CN12721\\_LENA-S-DL](#)