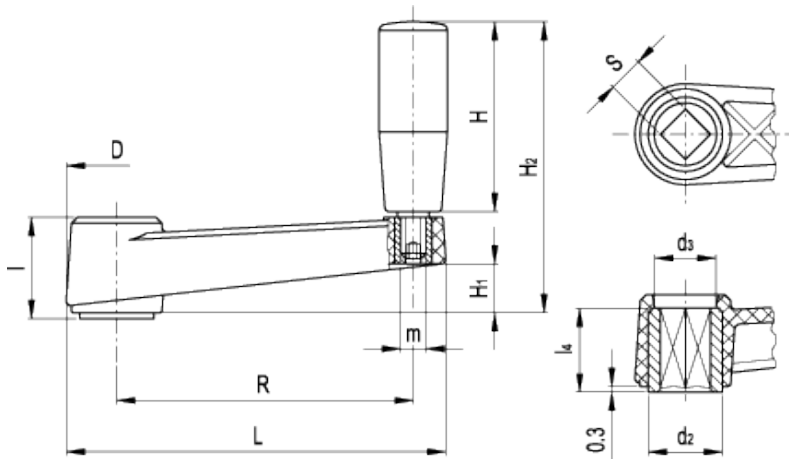


# MT-AS

Crank handles with revolving handle



## technical informations

### Material

Glass-fibre reinforced polyamide based (PA) technopolymer. Resistant to solvents, oils, greases and other chemical agents.

### Colour

Black, matte finish.

### Assembly

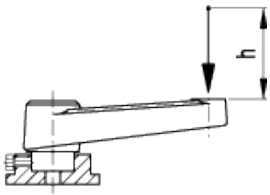
- Black-oxide steel boss, H9 square through hole.
- For MT.50-AS H9 square through hole with brass reinforcement.

### Revolving handle

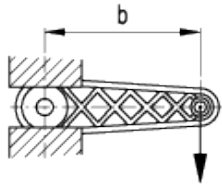
Type [L.601+x](#) high-resilience polypropylene based (PP) technopolymer, black colour, matte finish.

### Features and applications

The reticular structure of the crank arm and the technopolymer used make this handle very strong and therefore suitable for transmitting high torque values.



$$L[J] = P[N] \cdot h [m]$$



$$C[Nm] = F[N] \cdot b [m]$$

Standard Elements		Main dimensions								Mounting hole		Handle		C #	L #	Weight
Code	Description	R	L	D	d <sub>2</sub>	d <sub>3</sub>	l	H <sub>1</sub>	H <sub>2</sub>	S <sub>H9</sub>	l <sub>4</sub>	H	m	[Nm]	[J]	g
44052	MT.50 AS-6x6	50	69	23	-	13	21	10	49	6x6	18	28	-	60	7	35
44111	MT.64 AS-8x8	64	86	27	18	16	23	10	63	8x8	19	40	M6	120	11	78
44211	MT.80 AS-10x10	80	105	30	20	17	26	13	76	10x10	22	50	M6	180	15	105
44311	MT.100 AS-12x12	100	128	34	25	21	30	15	96	12x12	27	65	M8	200	27	190
44411	MT.130 AS-14x14	130	162	40	28	25	35	20	115	14x14	30	80	M8	350	45	255
44511	MT.160 AS-17x17	160	198	45	30	27	40	23	130	17x17	34	90	M10	450	55	335

# See [Technical Data](#) for maximum applicable torque (C) and impact strength (L).

This product had the following design awards:



ELESA and GANTER models all rights reserved in accordance with the law. Always mention the source when reproducing our drawings.

STANDARD MACHINE ELEMENTS WORLDWIDE

## X-ON Electronics

Largest Supplier of Electrical and Electronic Components

*Click to view similar products for [Knobs & Dials](#) category:*

*Click to view products by [Elesa & Ganter](#) manufacturer:*

Other Similar products are found below :

[015-2-11](#) [61-9028.20](#) [61-9028.9](#) [8529](#) [8573](#) [11K5015-EMNB](#) [11K5019-ECNB](#) [11K5020-KLAB](#) [11K5028-JMNG](#) [11K5048-KMNB](#) [11K5014-EMNB](#) [11K5019-EMNB](#) [11K5029-KMNG](#) [P400S-08-D6-N](#) [K6510](#) [KNSL500B1/8](#) [27708-2](#) [T48901](#) [AL811BA18](#) [420031B18](#) [5006](#) [51216](#) (GREY) [KB700BA1/4](#) [KS700B14](#) [411](#) [5149A](#) [028-1-11](#) [52-928.20](#) [52-928.60](#) [52-928.9](#) [8517](#) [8545](#) [8546](#) [8570](#) [8572](#) [H-516-3A](#) [P861H-0X-S6](#) [8544](#) [11K5014-JMNG](#) [11K5014-KMNG](#) [11K5014-ECNG](#) [5700E](#) [KA500B18](#) [KFS600B14](#) [KN900AB14](#) [KFS500B14](#) [KNS501B18](#) [PKD60B1018](#) [PK1100B18](#) [PKES140B14](#)