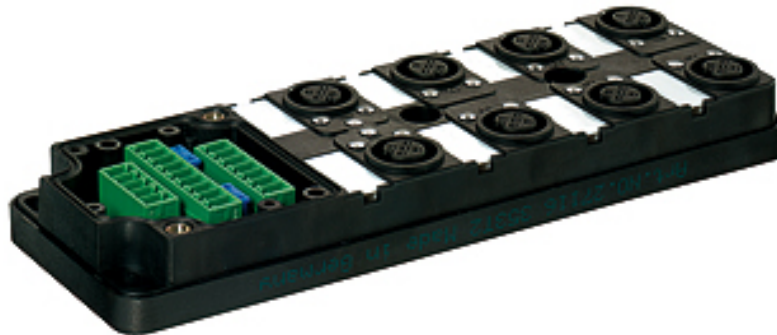


MVP12, 8xM12, 5pole, basic housing without cap, with potent. sep.

8-way, 5-pole
Potential separation as option

Image



Vicarious picture

Contact layout

Contact 1	(+)
Contact 2	(NC)/(S2)
Contact 3	(-)
Contact 4	(NO)/(S1)
Contact 5	(Earth)
LED display	LED (green): power LED (yellow): (S1/S2)

Technical Data

Operating voltage	24 V DC
Signal per port	2
Operating current per contact	max. 4 A
Total current	max. 2 × 8 A
Housing	Plastic, flame retardant
Protection	IP65 and IP67 when plugged and screwed down (EN 60529)
Temperature range	-20...+80 °C
Locking of ports	Screw thread M12 × 1 mm

Commercial data

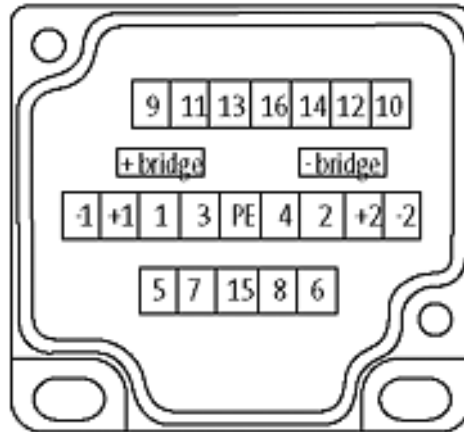
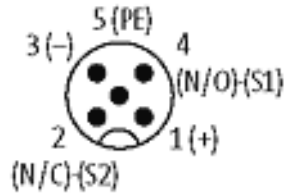
Net weight	99
Weight unit	Gram
Basic unit	pc.
Customs tariff number	85369010
Unit (piece)	1
Minimum order quantity (piece)	1

Comments

Plastic housings with good resistance against chemicals and oils.
The resistance to aggressive media should be individually tested for your application. Further details on request.

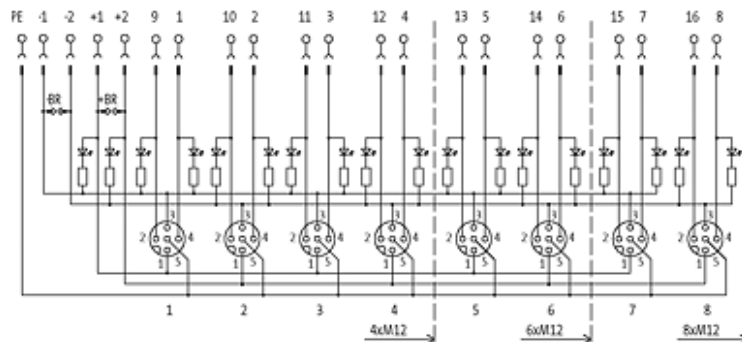
Contact layout

M12 Females 5-pole

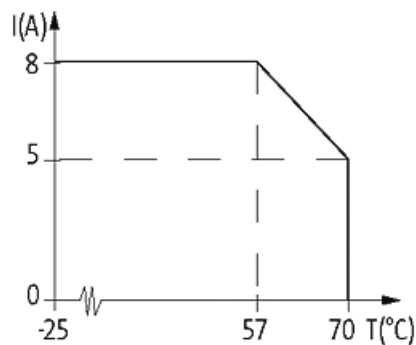


for 2 signals per port

Circuit diagram



De-rating curve



X-ON Electronics

Largest Supplier of Electrical and Electronic Components

Click to view similar products for [Sensor Cables / Actuator Cables](#) category:

Click to view products by [Murr Elektronik](#) manufacturer:

Other Similar products are found below :

[1300070444](#) [43-10984](#) [M83513/19-F01CP](#) [704000D02F120](#) [MDM15SH001K](#) [MDM25PH003BF222](#) [MDM-25PH003P](#) [802027107404-1](#)
[885030A09M010](#) [1200650174](#) [1200660171](#) [1200660208](#) [1200660343](#) [1200660804](#) [1200660926](#) [1200660977](#) [1200661173](#) [1200661354](#)
[120066-1712](#) [1200720053](#) [1200720153](#) [1200720217](#) [1200720226](#) [1200720251](#) [1200720296](#) [1200720404](#) [1200720537](#) [1200730148](#)
[1200730378](#) [1200860112](#) [1200860121](#) [1200860125](#) [1200860337](#) [1200860365](#) [1200860420](#) [1200870046](#) [1200870248](#) [1200980102](#)
[1200660181](#) [1200660183](#) [1200660827](#) [1200660849](#) [1200661170](#) [1200670078](#) [1200670224](#) [1200720281](#) [1200720349](#) [1200720358](#)
[1200720395](#) [1200720818](#)