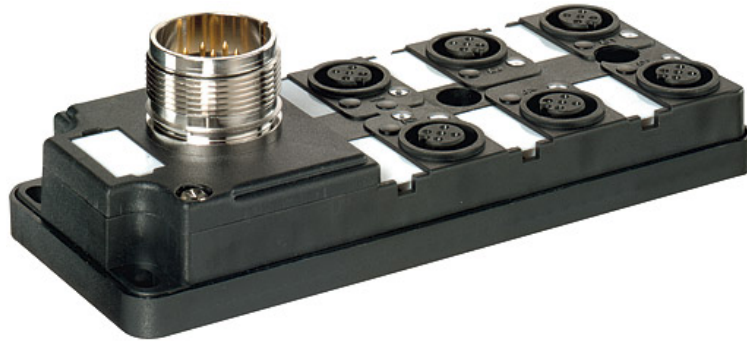


MVP12, 6xM12, 5pole, M23 19pol. con. connector exit frontside

6-way, 5-pole
M23 plug connection
19-pole used

Image



Approvals

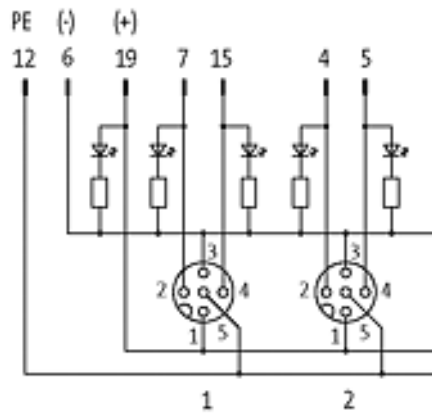
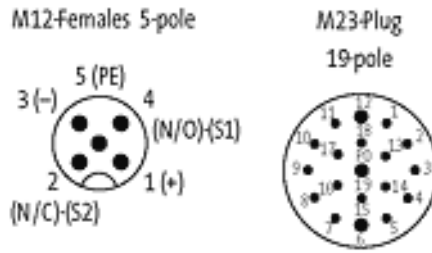


Contact layout

Contact 1	(+)	
Contact 2	(N/C)/(S2)	
Contact 3	(-)	
Contact 4	(N/O)/(S1)	
Contact 5	(Earth)	
LED display	LED (green): Power	LED (yellow): Signal (S1/S2)

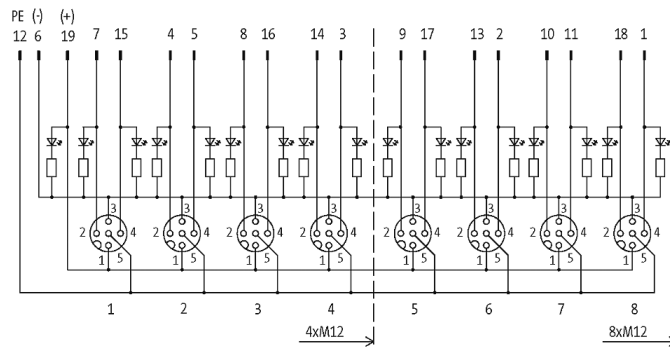
Technical Data		
Operating voltage	24 V DC	
Signal per port	2	
Operating current per contact (40 °C)	max. 4 A	
Total current	max. 10 A	
Housing	Plastic, flame retardant	
Protection	IP65, IP67	
Temperature range	-20...+80 °C	
Technical data M12 port		
Locking of ports	Screw thread M12 × 1 mm	
Commercial data		
Gross weight	121	
Net weight	121	
Weight unit	gram	
Basic unit	pc.	
Customs tariff number	85369010	
Unit (piece)	1	
Limited value	1	
Accessories		
	M12 plastic lock screw	Art.-No. 58627
	Label plate for use with MVP 17X9mm, white, 2 sets=12 pieces.	996050
	Coding element PU 6 for use with MVP12 / MVP8 - plug. clamps	996054
	adaptor M12 male/ M8 female 3p., seizure 1,3,4	7000-42201-000000
Comments		
Plastic housings with good resistance against chemicals and oils. The resistance to aggressive media should be individually tested for your application. Further details on request.		

Contact layout

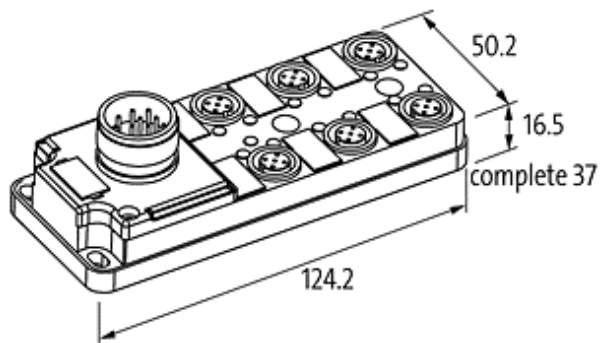


for 2 signals per port

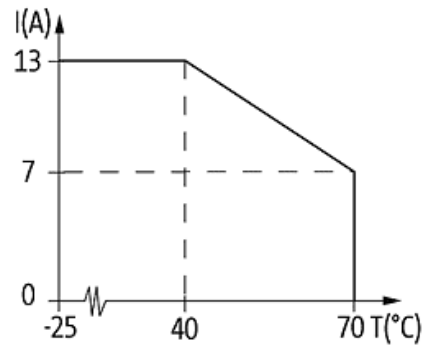
Circuit diagram



Dimension drawing



De-rating curve



X-ON Electronics

Largest Supplier of Electrical and Electronic Components

Click to view similar products for [Sensor Cables / Actuator Cables](#) category:

Click to view products by [Murr Elektronik](#) manufacturer:

Other Similar products are found below :

[1300070444](#) [43-10984](#) [M83513/19-F01CP](#) [704000D02F120](#) [MDM15SH001K](#) [MDM25PH003BF222](#) [MDM-25PH003P](#) [802027107404-1](#)
[885030A09M010](#) [1200650174](#) [1200660171](#) [1200660208](#) [1200660343](#) [1200660804](#) [1200660926](#) [1200660977](#) [1200661173](#) [1200661354](#)
[120066-1712](#) [1200720053](#) [1200720153](#) [1200720217](#) [1200720226](#) [1200720251](#) [1200720296](#) [1200720404](#) [1200720537](#) [1200730148](#)
[1200730378](#) [1200860112](#) [1200860121](#) [1200860125](#) [1200860337](#) [1200860365](#) [1200860420](#) [1200870046](#) [1200870248](#) [1200980102](#)
[1200660181](#) [1200660183](#) [1200660827](#) [1200660849](#) [1200661170](#) [1200670078](#) [1200670224](#) [1200720281](#) [1200720349](#) [1200720358](#)
[1200720395](#) [1200720818](#)