

**AMMS 10-1 Opto-coupler module IN: 30 VDC - OUT: 48 VDC / 1,2 A**

Transistor 1.2 A  
4...30 V DC

**Image**

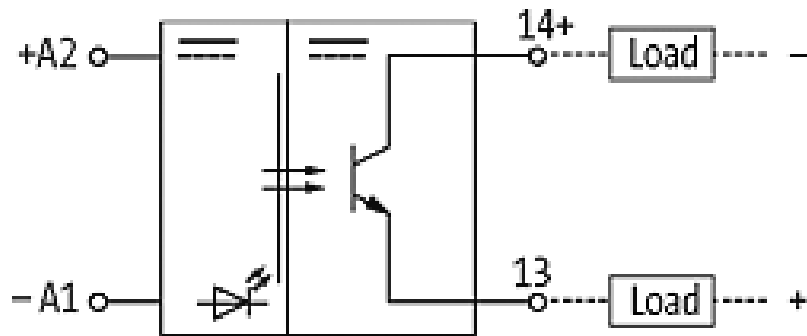
Vicarious picture

<b>Input</b>	
Voltage range ON	4...30 V DC
Voltage range OFF	0...2 V DC
Input current	max. 10 mA
LED display	LED (red)
<b>Output</b>	
Switching voltage	4.5...44 V DC
Switching current per output	1 mA...1.2 A
Saturation voltage (across output)	max. 1.2 V DC
Leakage current (when output is open)	max. 0.3 mA
Switching time ON/OFF	65/65 $\mu$ s
Switching frequency	max. 7 kHz (resist.) at max. 0.3 A / max. 10 Hz (ind.)
<b>General data</b>	
Test isolation voltage	3.75 kV
Temperature range	-20...+60 °C
Mounting method	DIN-rail mountable TH35 or G32 (EN 60715)
Housing	Black plastic, flame retardant
<b>Commercial data</b>	
Net weight	27
Weight unit	Gram
Basic unit	pc.
Customs tariff number	85414090
Unit (piece)	1
Minimum order quantity (piece)	1
<b>Switching element</b>	
NO	

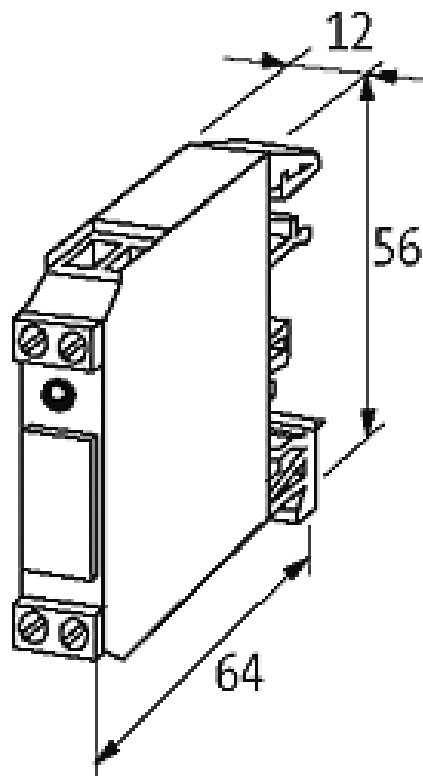
All data on this data sheet was compiled carefully.

Liability regarding correctness, completeness, and actuality is limited to gross negligence. Created: 10/13

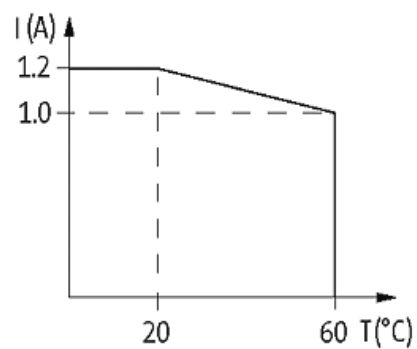
## Circuit diagram



## Dimension drawing



## De-rating curve



## X-ON Electronics

Largest Supplier of Electrical and Electronic Components

*Click to view similar products for [General Purpose Relays](#) category:*

*Click to view products by [Murr Elektronik](#) manufacturer:*

Other Similar products are found below :

[APF30318](#) [JVN1AF-4.5V-F](#) [PCN-105D3MHZ](#) [5JO-10000S-SIL](#) [5JO-1000CD-SIL](#) [5JO-400CD-SIL](#) [LY2S-AC220/240](#) [LYQ20DC12](#)  
[6031007G](#) [6131406HQ](#) [6-1393099-3](#) [6-1393099-8](#) [6-1393122-4](#) [6-1393123-2](#) [6-1393767-1](#) [6-1393843-7](#) [6-1415012-1](#) [6-1419102-2](#) [6-](#)  
[1423698-4](#) [6-1608051-6](#) [6-1608067-0](#) [6-1616170-6](#) [6-1616248-2](#) [6-1616282-3](#) [6-1616348-2](#) [6-1616350-1](#) [6-1616350-8](#) [6-1616358-7](#) [6-](#)  
[1616359-9](#) [6-1616360-9](#) [6-1616931-6](#) [6-1617039-1](#) [6-1617052-1](#) [6-1617090-2](#) [6-1617090-5](#) [6-1617347-5](#) [6-1617353-3](#) [6-1617801-8](#) [6-](#)  
[1617802-2](#) [6-1618107-9](#) [6-1618248-4](#) [M83536/1-027M](#) [CX-4014](#) [MAHC-5494](#) [MAVCD-5419-6](#) [703XCX-120A](#) [7-1393100-5](#) [7-1393111-7](#)  
[7-1393144-5](#) [7-1393767-8](#)