

**Evolution Power supply 3-phase, primary switched IN: 360-520VAC OUT: 22-28V/40ADC**

Output voltage: 22...28 V DC

Input voltage: 3 x 360...520 V AC / 480...745 V DC

Current: 40 A

**Image**

- stable output voltage, short-circuit and overload protected
- Wide voltage input
- touch protected (EN 60529) IP20

**Approvals****Input**

|                |                                     |
|----------------|-------------------------------------|
| Input voltage  | 3 x 360...520 V AC / 480...745 V DC |
| Input current  | 3 x 2.4 A                           |
| Primary fusing | 3 x 20 A                            |
| Frequency      | 50/60 Hz                            |

**Output**

|                             |                                                  |
|-----------------------------|--------------------------------------------------|
| Output voltage              | 24 V DC (SELV), $\pm 1\%$ ; 22...28 V adjustable |
| Nominal output current      | 40 A (+55 °C); 30 A (+70 °C)                     |
| Efficiency                  | 90 %                                             |
| Mains failure bridging      | $\geq 19$ ms (400 V AC)                          |
| Ripple                      | $\leq 50$ mV eff                                 |
| Spikes                      | $\leq 100$ mV ss                                 |
| Protection                  | Short-circuit and overload protected             |
| LED display                 | LED (green): OK; LED (red): overload             |
| Parallel usage/serial usage | yes/yes                                          |

**General data**

|                      |                                                 |
|----------------------|-------------------------------------------------|
| Standards            | (EN 60950-1), (EN 61204-3), (EN 55011 A)        |
| Temperature range    | -25...+70 °C (storage temperature -40...+85 °C) |
| Relative humidity    | 5...95 %, no condensation                       |
| Mounting method      | DIN-rail mountable TH35 (EN 60715)              |
| Dimensions H x W x D | 132 x 164 x 142 mm                              |

**Commercial data**

|                       |          |
|-----------------------|----------|
| Gross weight          | 3000     |
| Net weight            | 3000     |
| Weight unit           | gram     |
| Basic unit            | pc.      |
| Customs tariff number | 85044081 |
| Unit (piece)          | 1        |
| Limited value         | 1        |

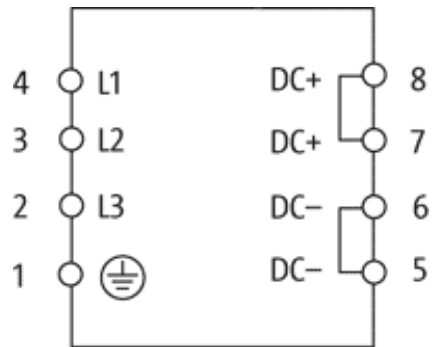
**Comments**

MCS switch mode power supplies meet the (EN 61000-3-2) standard for harmonic current.

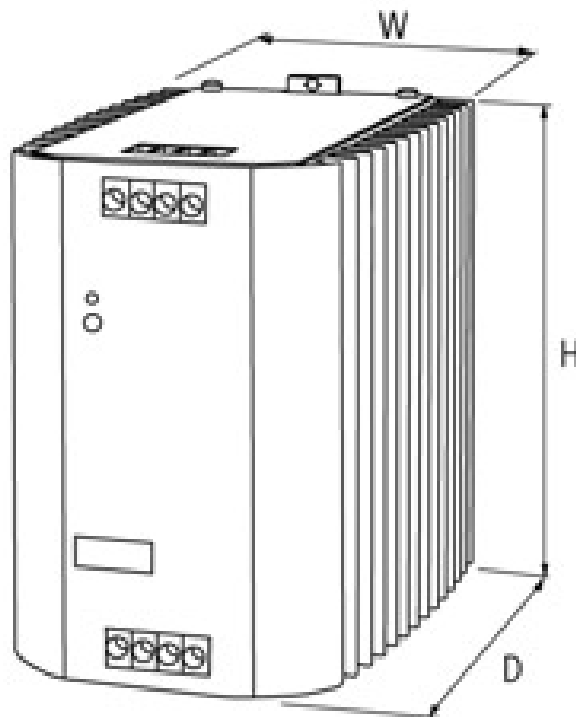
All data on this data sheet was compiled carefully.

Liability regarding correctness, completeness, and actuality is limited to gross negligence. Created: 08/10

## Circuit diagram



## Dimension drawing



## X-ON Electronics

Largest Supplier of Electrical and Electronic Components

*Click to view similar products for [DIN Rail Power Supplies](#) category:*

*Click to view products by [Murr Elektronik](#) manufacturer:*

Other Similar products are found below :

[PS-3015](#) [PSP-480S48](#) [PSR-SD25](#) [PS-S6024](#) [DRP048V120W1BA](#) [DVP01PU-S](#) [DVP06AD-S](#) [DVP06XA-S](#) [DVDPNET-SL](#) [DVPDT01-S](#)  
[DVPPS01](#) [DVPPS02](#) [KHNA30F-5](#) [KHNA60F-12](#) [KHNA60F-24](#) [S8JX-G01524](#) [S8JX-G01548C](#) [S8JX-G03512D](#) [S8VS-09024B-F](#) [PS-6012](#)  
[PS9Z-5R1G](#) [PS-C24024](#) [PSC-9648](#) [5607189](#) [KHNA30F-24](#) [KHNA480F-24](#) [KHNA90F-12](#) [KHNA90F-24](#) [DVP08ST11N](#) [DVPACAB530](#)  
[DVPCOPM-SL](#) [DVPEN01-SL](#) [DVPPF01-S](#) [S8JX-G10012](#) [S8JX-G15024](#) [CBI1210A](#) [HB5-3/OV-A+G](#) [SS14011524](#) [S8JX-G01505C](#) [S8TS-](#)  
[06024-E1](#) [PS-S2012](#) [PSW-12024](#) [PS-UPS40](#) [PSC-6024](#) [S8VS-48024A-F](#) [PSD-A60W12](#) [96PS-A120WDIN](#) [PSD-A60W48](#) [S8JX-G03515CD](#)  
[PSD-A40W12](#)