

**MCS Power supply 1-phase, primary switched IN: 90-265VAC OUT: 10-15V/5ADC**

INPUT: 90...265 V AC

OUTPUT: 10...15 V DC

Current: 5 A

**Image**

- stable output voltage, short-circuit and overload protected
- Wide voltage input
- touch protected (EN 60529) IP20

**Approvals****Input**

Voltage range	90...265 V AC; 110...300 V DC
Input current	1.1 A (115 V AC); 0.6 A (230 V AC)
Inrush current after 1 ms	<= 28 A
Primary fusing	max. 10 A
Frequency	50/60 Hz

**Output**

Output voltage	12 V DC SELV, $\pm 1\%$ ; 10...15 V adjustable
Output current	5 A (+55 °C); 6 A (+45 °C)
Efficiency	85 %
Mains failure bridging	>= 10 ms (115 V AC); >= 70 ms (230 V AC)
Ripple	<= 20 mV rms
Spikes	<= 200 mV p-p
Protection	Short-circuit and overload protected
LED display	LED (green) for output voltage
Parallel usage/serial usage	no/yes (max. 2 units)

**General data**

Standards	(EN 60950-1), (EN 61204-3), (EN 55022 B), (EN 61000-3-2)
Mounting method	DIN-rail mountable TH35 (EN 60715)
Relative humidity	5...95 %, no condensation
Temperature range	0...+55 °C (storage temperature -25...+85 °C)
Dimensions H x W x D	107.5 x 42 x 97.5 mm

**Commercial data**

Gross weight	500
Net weight	450
Weight unit	gram
Basic unit	pc.
Customs tariff number	85044082
Unit (piece)	1
Limited value	1

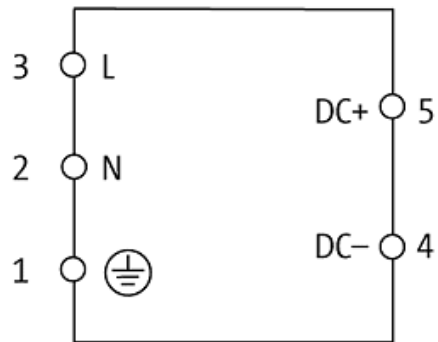
**Comments**

This switch mode power supplies meet the (EN 61000-3-2) standard for harmonic current.

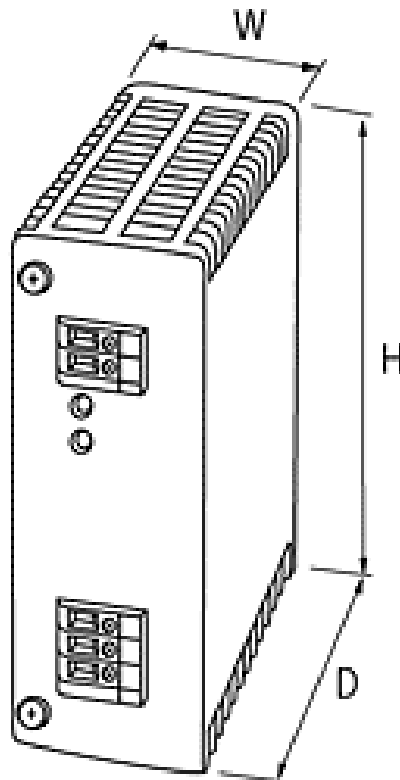
All data on this data sheet was compiled carefully.

Liability regarding correctness, completeness, and actuality is limited to gross negligence. Created: 08/11

## Circuit diagram



## Dimension drawing



## X-ON Electronics

Largest Supplier of Electrical and Electronic Components

*Click to view similar products for [DIN Rail Power Supplies](#) category:*

*Click to view products by [Murr Elektronik](#) manufacturer:*

Other Similar products are found below :

[PS-3015](#) [PSP-480S48](#) [PSR-SD25](#) [PS-S6024](#) [DRP048V120W1BA](#) [DVP01PU-S](#) [DVP06AD-S](#) [DVP06XA-S](#) [DVDPNET-SL](#) [DVPDT01-S](#)  
[DVPPS01](#) [DVPPS02](#) [KHNA30F-5](#) [KHNA60F-12](#) [KHNA60F-24](#) [S8JX-G01524](#) [S8JX-G01548C](#) [S8JX-G03512D](#) [S8VS-09024B-F](#) [PS-6012](#)  
[PS9Z-5R1G](#) [PS-C24024](#) [PSC-9648](#) [5607189](#) [KHNA30F-24](#) [KHNA480F-24](#) [KHNA90F-12](#) [KHNA90F-24](#) [DVP08ST11N](#) [DVPACAB530](#)  
[DVPCOPM-SL](#) [DVPEN01-SL](#) [DVPPF01-S](#) [S8JX-G10012](#) [S8JX-G15024](#) [CBI1210A](#) [HB5-3/OV-A+G](#) [SS14011524](#) [S8JX-G01505C](#) [S8TS-](#)  
[06024-E1](#) [PS-S2012](#) [PSW-12024](#) [PS-UPS40](#) [PSC-6024](#) [S8VS-48024A-F](#) [PSD-A60W12](#) [96PS-A120WDIN](#) [PSD-A60W48](#) [S8JX-G03515CD](#)  
[PSD-A40W12](#)