

MCS Power supply 3-phase, primary switched IN: 360-550VAC OUT: 24-28V/20ADC

INPUT: 3 × 360...550 V AC

OUTPUT: 24...28 V DC

Current: 20 A

Image

- 3-phase
- stable output voltage, (short-circuit and overload protected)
- Wide voltage input
- Protection IP20

Vicarious picture

Approvals**Input**

Input voltage	3 × 360...550 V AC
Input current	3 × 1.2 A
Inrush current after 1 ms	max. 20 A
External fuse	max. 3 × 3 A
Frequency	50/60 Hz

Output

Output voltage	24 V DC (SELV), ±1 %; 24...28 V adjustable
Output current	20 A (+60 °C); 24 A (+40 °C)
Mains failure bridging time	min. 12 ms (400 V AC)
Ripple	max. 20 mV rms
Short-circuit and overload protection	yes
Spikes	max. 100 mV p-p
LED display	LED (green) for output voltage
Selectable switch-off mode	front sided plug link (automatic re-start or definite shut-off)
Parallel usage/ serial usage	max. 5 units/max. 2 units

General data

Standards	(EN 60950-1), (EN 61204-3), (EN 55022 B)
Temperature range	0...+60 °C (storage temperature -25...+85 °C)
Mounting method	Screw fixing M4, 4 pcs. in rectangle 60 × 197 mm
Efficiency	90 %
Relative humidity	5...95 %, no condensation
Dimensions H × W × D × Da	209 x 84 x 227 x 20 mm

Commercial data

Net weight	3100
Weight unit	Gram
Basic unit	pc.
Customs tariff number	85044090
Unit (piece)	1
Minimum order quantity (piece)	1

All data on this data sheet was compiled carefully.

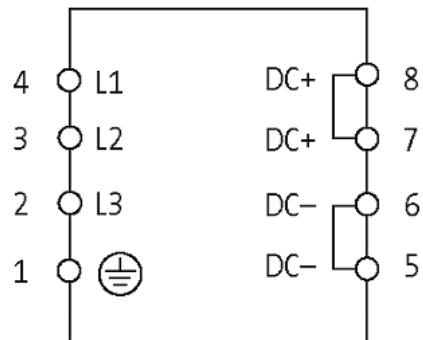
Liability regarding correctness, completeness, and actuality is limited to gross negligence. Created: 10/13

Functions

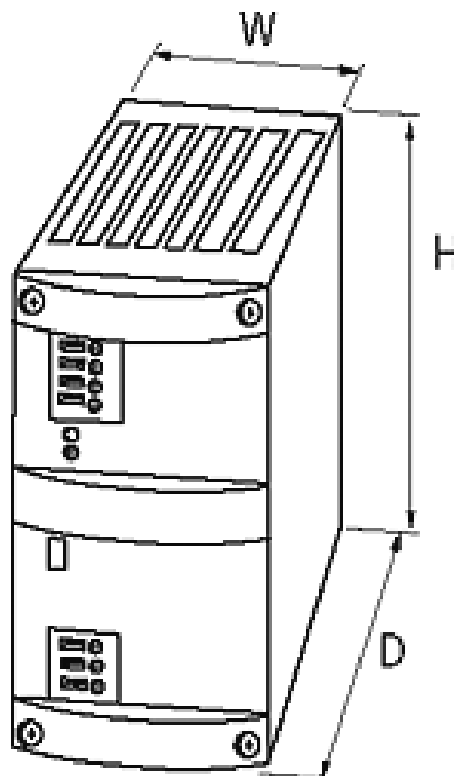
PFC

Low interference emission

Circuit diagram



Dimension drawing



X-ON Electronics

Largest Supplier of Electrical and Electronic Components

Click to view similar products for [Modular Power Supplies](#) category:

Click to view products by [Murr Elektronik](#) manufacturer:

Other Similar products are found below :

[73-147-000](#) [73-270-000](#) [73-316-4020](#) [73-317-0005](#) [73-495-0333](#) [73-961-4086-G2](#) [GLD150-48-103-G](#) [PS3E-B12F](#) [PS3E-E12F](#) [AS300-MLF](#) [OVS-12E](#) [OVS-12F](#) [OVS-12J](#) [OVS-15F](#) [OVS-15J](#) [IVS13Q2Q1F4LL030ANJCUNR32](#) [LB115S48KH](#) [FP2-PSA1](#) [PS3E-F12F](#) [IMP4-3O1-2J1-05-B-662](#) [UPS40-3003](#) [LB240S48KH](#) [LMM409 CHASSIS](#) [LPM615-CHAS](#) [ADNB008-48-1PM-C](#) [ADNB017-24-1PM-C](#) [ADNB040-24-1PM-C](#) [VAS003ZG](#) [ADNB050-12-1PM-C](#) [ADNB040-15-1PM-C](#) [ADNB034-12-1PM-C](#) [73-166-000](#) [73-271-000](#) [73-961-4085-G2](#) [73-962-0001](#) [OVS-15G](#) [1-155777G](#) [OVS-24F](#) [OVS-5F](#) [73-551-5086](#) [73-554-4047](#) [73-670-0001I](#) [73-713-001](#) [73-769-003](#) [73-546-001](#) [73-954-0001C-G2](#) [73-951-0001S-G2](#) [73-560-434](#) [73-180-0001I](#) [73-554-4045](#)