

MCS-A ASI power supply 1-phase, primary switched IN: 95-265VAC OUT: 30,5V/4ADC

INPUT: 95...265 V AC

Current: 4 A

Image

- Single-phase, primary switched
- Protection IP20

Vicarious picture

Input

Input voltage	95...265 V AC
Input current	2.1 A
Inrush current after 1 ms	max. 35 A (230 V AC)
External fuse	max. 10 A (T)
Frequency	50...60 Hz

Output

Output voltage	30.5 V DC (SELV), $\pm 2\%$
Output current	max. 4.0 A (+40 °C); 3.4 A (+55 °C)
Output rating	122 W
Mains failure bridging time	min. 14 ms (110 V AC); min. 80 ms (230 V AC)
Short-circuit and overload protection	yes
Ripple	max. 20 mV rms
LED display	LED (green) for output voltage
Output filter	Filter acc. to AS-Interface specification

General data

Standards	(EN 60950-1), (EN 61204-3), (EN 55022 B)
Temperature range	-10...+40 °C, to +55 °C derating (storage temperature -25...+85 °C)
Mounting method	DIN-rail mountable TH35 (EN 60715)
Efficiency	83 % (110 V AC); 85 % (240 V AC)
AS-Interface	Unit complies to AS-Interface specification for power supplies (PELV)
Dimensions H x W x D	115 x 54 x 147 mm

Commercial data

Net weight	600
Weight unit	Gram
Basic unit	pc.
Customs tariff number	85044090
Unit (piece)	1
Minimum order quantity (piece)	1

Accessories

MBW Mounting plate 65mm For side mounting of MCS 10 and MCS-B 5...10A

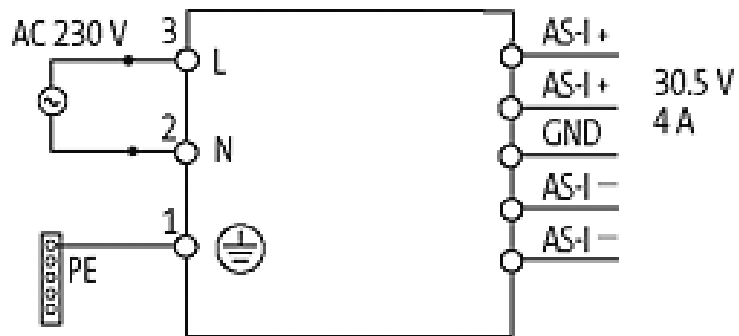
Art.-No.

89853

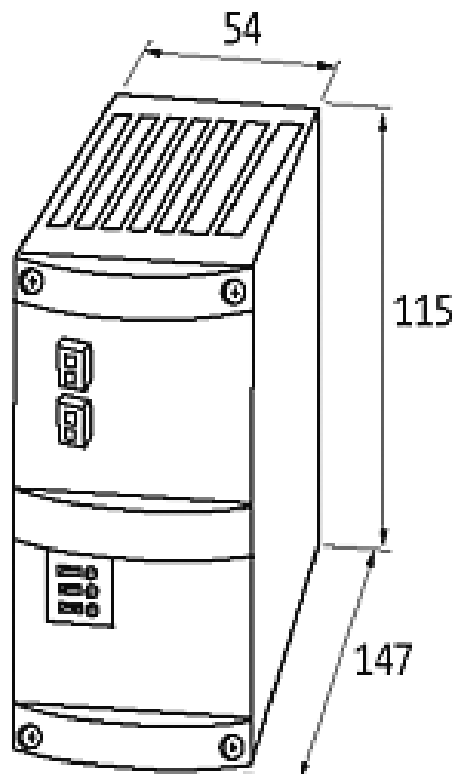
All data on this data sheet was compiled carefully.

Liability regarding correctness, completeness, and actuality is limited to gross negligence. Created: 09/14

Circuit diagram



Dimension drawing



X-ON Electronics

Largest Supplier of Electrical and Electronic Components

Click to view similar products for [DIN Rail Power Supplies](#) category:

Click to view products by [Murr Elektronik](#) manufacturer:

Other Similar products are found below :

[PS-3015](#) [PSP-480S48](#) [PSR-SD25](#) [PS-S6024](#) [DRP048V120W1BA](#) [DVP01PU-S](#) [DVP06AD-S](#) [DVP06XA-S](#) [DVDPNET-SL](#) [DVPDT01-S](#)
[DVPPS01](#) [DVPPS02](#) [KHNA30F-5](#) [KHNA60F-12](#) [KHNA60F-24](#) [S8JX-G01524](#) [S8JX-G01548C](#) [S8JX-G03512D](#) [S8VS-09024B-F](#) [PS-6012](#)
[PS9Z-5R1G](#) [PS-C24024](#) [PSC-9648](#) [5607189](#) [KHNA30F-24](#) [KHNA480F-24](#) [KHNA90F-12](#) [KHNA90F-24](#) [DVP08ST11N](#) [DVPACAB530](#)
[DVPCOPM-SL](#) [DVPEN01-SL](#) [DVPPF01-S](#) [S8JX-G10012](#) [S8JX-G15024](#) [CBI1210A](#) [HB5-3/OV-A+G](#) [SS14011524](#) [S8JX-G01505C](#) [S8TS-](#)
[06024-E1](#) [PS-S2012](#) [PSW-12024](#) [PS-UPS40](#) [PSC-6024](#) [S8VS-48024A-F](#) [PSD-A60W12](#) [96PS-A120WDIN](#) [PSD-A60W48](#) [S8JX-G03515CD](#)
[PSD-A40W12](#)