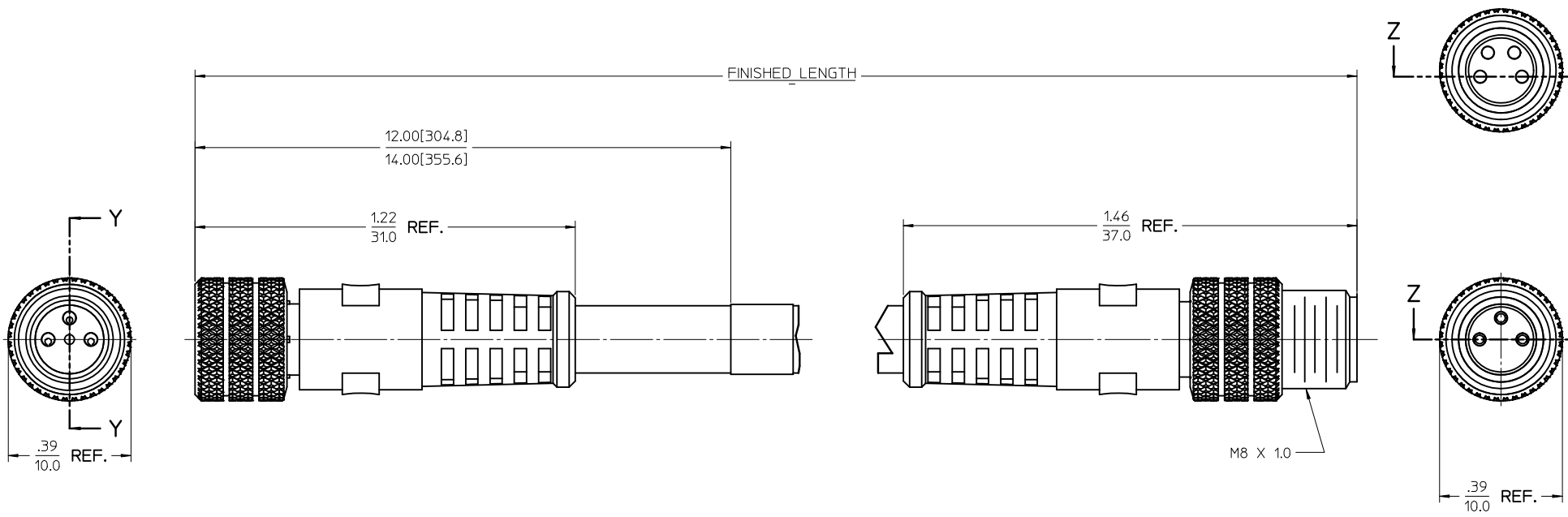


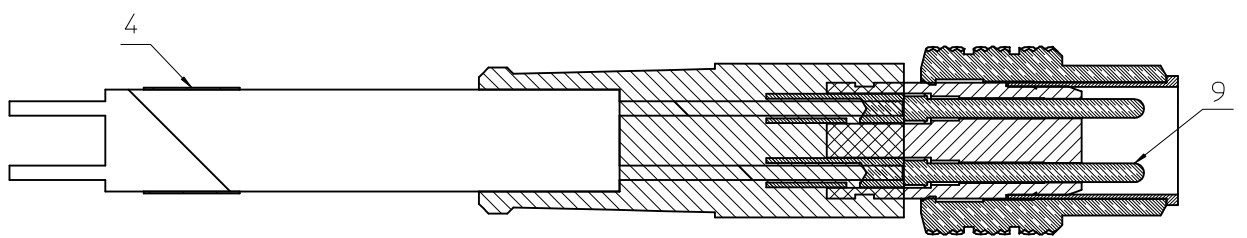
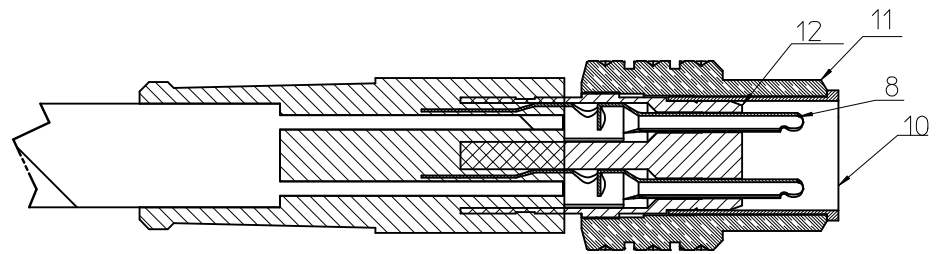
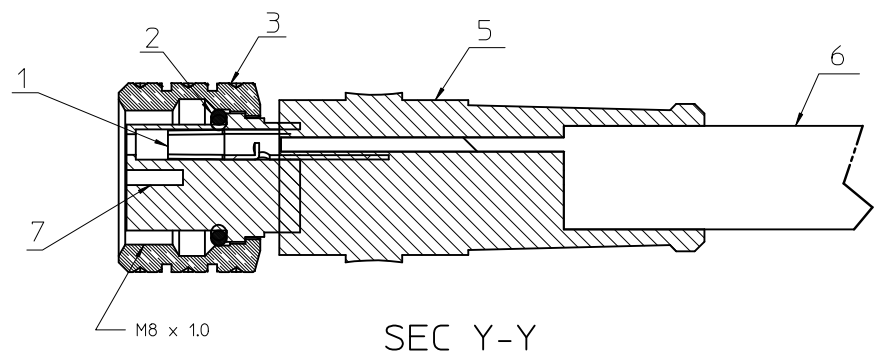
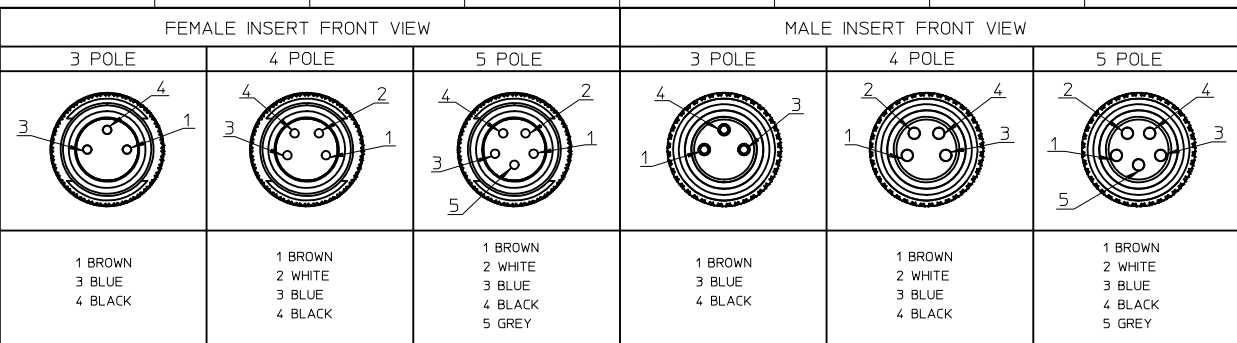
13 12 11 10 9 8 7 6 5 4 3 2 1

J I H G F E D C B A



ENTER DESCRIPTION EC NO: WEU2012-0001 DRW:RSCHLEBER 2011/07/06 CHK:DREISSNER 2011/07/13 APPR:CBURGER 2011/07/20 REV:	QUALITY SYMBOLS $\blacktriangledown=0$ $\blacktriangledown=0$	GENERAL TOLERANCES (UNLESS SPECIFIED) <table border="1"> <tr> <td></td> <td>mm</td> <td>INCH</td> </tr> <tr> <td>4 PLACES</td> <td>$\pm .01$</td> <td>$\pm .0005$</td> </tr> <tr> <td>3 PLACES</td> <td>$\pm .02$</td> <td>$\pm .001$</td> </tr> <tr> <td>2 PLACES</td> <td>$\pm .03$</td> <td>$\pm .0015$</td> </tr> <tr> <td>1 PLACE</td> <td>$\pm .05$</td> <td>$\pm .002$</td> </tr> </table>		mm	INCH	4 PLACES	$\pm .01$	$\pm .0005$	3 PLACES	$\pm .02$	$\pm .001$	2 PLACES	$\pm .03$	$\pm .0015$	1 PLACE	$\pm .05$	$\pm .002$	DIMENSION STYLE IN/MM DRAWN BY: BWOODMAN DATE: 18/08/09 CHECKED BY: RSTONE DATE: 18/08/09 APPROVED BY: JFMURPHY DATE: 18/08/09 MATERIAL NO.	SCALE: 4:1 DESIGN UNITS: INCH THIRD ANGLE PROJECTION	TITLE: CSE M8 XP MA FE STR PUR PVC UN MOLEX INCORPORATED DOCUMENT NO. SD-120028-001 SHEET NO. 1 OF 3
		mm	INCH																	
	4 PLACES	$\pm .01$	$\pm .0005$																	
	3 PLACES	$\pm .02$	$\pm .001$																	
2 PLACES	$\pm .03$	$\pm .0015$																		
1 PLACE	$\pm .05$	$\pm .002$																		
DRAFT WHERE APPLICABLE MUST REMAIN WITHIN DIMENSIONS	SEE SHEET 3	THIS DRAWING CONTAINS INFORMATION THAT IS PROPRIETARY TO MOLEX INCORPORATED AND SHOULD NOT BE USED WITHOUT WRITTEN PERMISSION																		

1b_frame_C_P_AM_T Rev. E 2006/04/15 12 11 10 9 8 7 6 5 4 3 2 1



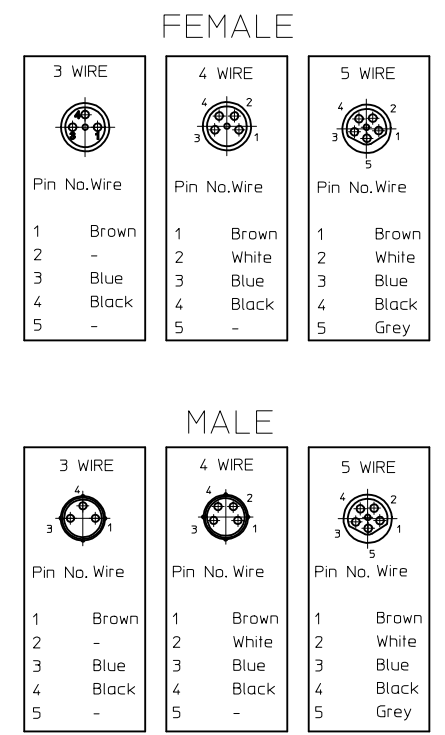
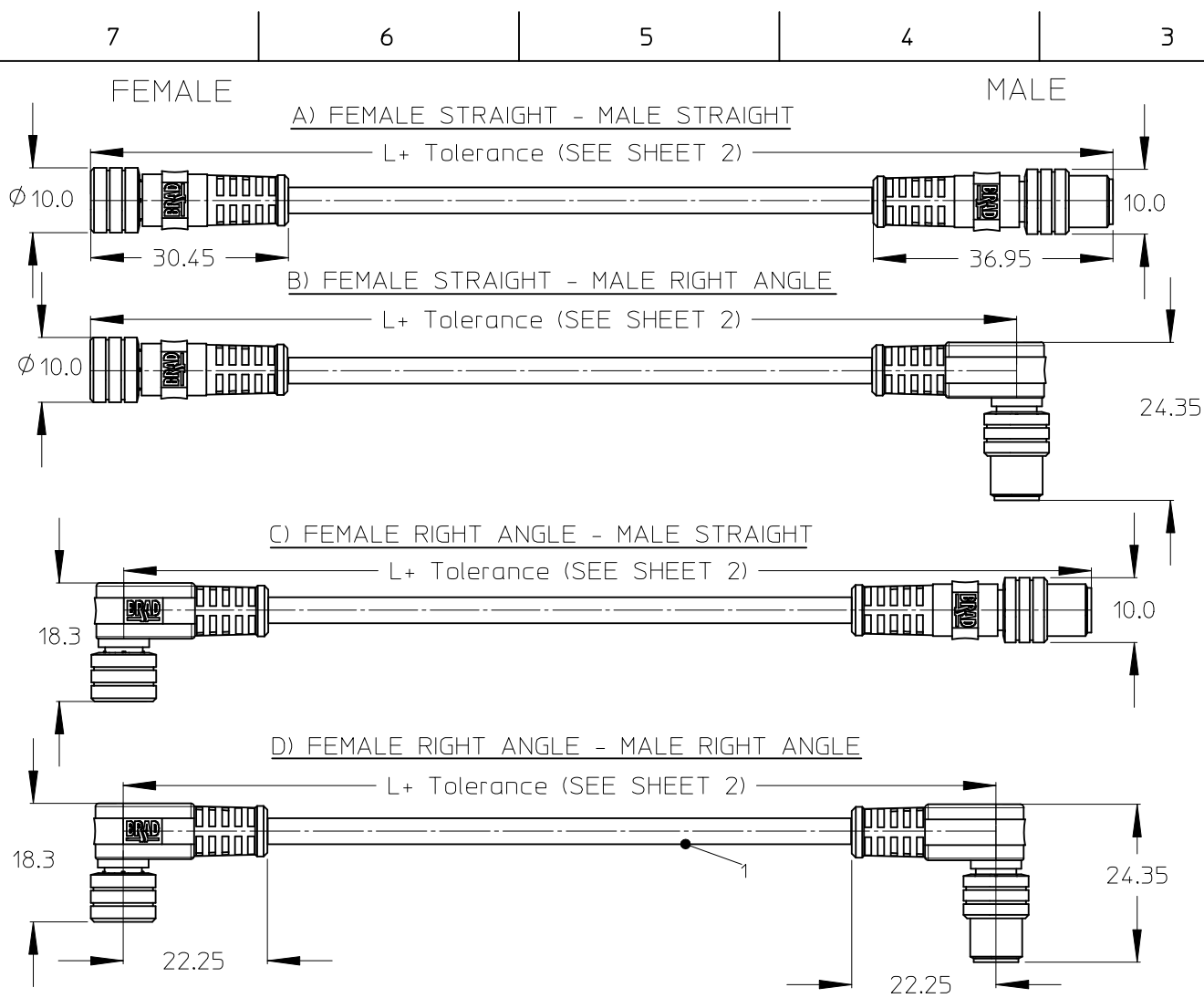
ENTER DESCRIPTION EC NO: WEU2012-0001 DRAWNRSCHIEBER 2011/07/06 CHKDHREISSNER 2011/07/13 APPR:CBURGER 2011/07/20	QUALITY SYMBOLS =0 =0	GENERAL TOLERANCES (UNLESS SPECIFIED)		DIMENSION STYLE IN/MM	SCALE 5:1	DESIGN UNITS INCH	THIRD ANGLE PROJECTION		
		4 PLACES ± --- ± --- 3 PLACES ± --- ± --- 2 PLACES ± --- ± .01 1 PLACE ± 0.3 ± ---	mm INCH ± --- ± --- ± --- ± .01 ± --- ± ---	DRAWN BY BWOODMAN	DATE 18/08/09	TITLE CSE M8 XP MA FE STR PUR PVC UN			
		APPROVED BY JFMURPHY		DATE 18/08/09	MOLEX INCORPORATED				
		MATERIAL NO. SEE SHEET 3		DOCUMENT NO. SD-120028-001	SHEET NO. 2 OF 3	THIS DRAWING CONTAINS INFORMATION THAT IS PROPRIETARY TO MOLEX INCORPORATED AND SHOULD NOT BE USED WITHOUT WRITTEN PERMISSION			

PART NUMBER	DESCRIPTION	FINISHED LENGTH	MATERIAL
1200878141	443030P02M006	0.6M +45MM -0 [1' 11" +1.8" -0]	PUR
1200878140	443030P02M010	1M +56MM -0 [3' 3" +2.2" -0]	PUR
1200878293	443030P02M015	1.5M +56MM -0 [4' 11" +2.2" -0]	PUR
1200878294	443030P02M020	2M +90MM -0 [6' 6" +3.5" -0]	PUR
1200878296	443030P02M030	3M +90MM -0 [9' 10" +3.5" -0]	PUR
1200878299	443030P02M040	4M +150MM -0 [13' 1" +6" -0]	PUR
1200878233	443030P02M050	5M +150MM -0 [16' 4" +6" -0]	PUR
1200878358	444030P02M006	0.6M +45MM -0 [1' 11" +1.8" -0]	PUR
1200878359	444030P02M010	1M +56MM -0 [3' 3" +2.2" -0]	PUR
1200878360	444030P02M020	2M +90MM -0 [6' 6" +3.5" -0]	PUR
1200878361	444030P02M030	3M +90MM -0 [9' 10" +3.5" -0]	PUR
1200870686	444030P02M040	4M +150MM -0 [13' 1" +6" -0]	PUR
1200878362	444030P02M050	5M +150MM -0 [16' 4" +6" -0]	PUR
1200870687	445030P02M006	0.6M +45MM -0 [1' 11" +1.8" -0]	PUR
1200281309	445030P02M010	1M +56MM -0 [3' 3" +2.2" -0]	PUR
1200878035	445030P02M020	2M +90MM -0 [6' 6" +3.5" -0]	PUR
1200870688	445030P02M030	3M +90MM -0 [9' 10" +3.5" -0]	PUR
1200878036	445030P02M040	4M +150MM -0 [13' 1" +6" -0]	PUR
1200281310	445030P02M050	5M +150MM -0 [16' 4" +6" -0]	PUR
1200875035	443030E02M006	0.6M +45MM -0 [1' 11" +1.8" -0]	PVC
1200878274	443030E02M015	1.5M +56MM -0 [4' 11" +2.2" -0]	PVC
1200280462	443030E02M050	5M +150MM -0 [16' 4" +6" -0]	PVC

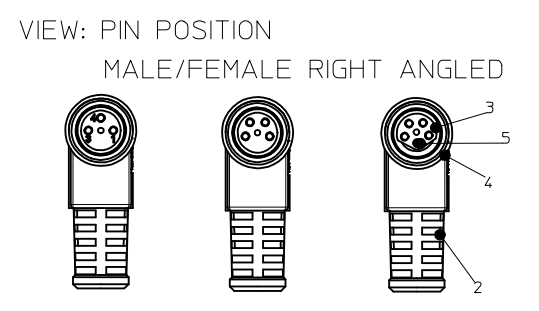
SL.No	DESCRIPTION	MATERIAL	FINISH	FEMALE INSERT ASSEMBLY			MALE INSERT ASSEMBLY		
				3 POLE	4 POLE	5 POLE	3 POLE	4 POLE	5 POLE
1	CONTACT SOCKET	COPPER ALLOY	GOLD PLATED	3	4	5			
2	O-RING	VITON	RED	1	1	1			
3	COUPLING NUT	BRASS	NICKEL PLATED						
4	LABEL	PLASTIC FILM	BLACK/YELLOW	1	1	1	1	1	1
5	OVER MOLD	TPE	YELLOW						
6	CABLE, 24 AWG, 3 CONDUCTOR	PUR JACKET	BLACK	1			1		
	CABLE, 24 AWG, 3 CONDUCTOR	PVC JACKET	BLACK	1			1		
	CABLE, 24 AWG, 4 CONDUCTOR	PUR JACKET	BLACK		1			1	
7	CABLE, 24 AWG, 5 CONDUCTOR	PUR JACKET	BLACK			1			1
	INSERT FEMALE 3 POLE	PUR	BLACK	1					
	INSERT FEMALE 4 POLE	PUR	BLACK		1				
	INSERT FEMALE 5 POLE	PUR	BLACK			1			
8	STAMP & FORM CONTACT	COPPER ALLOY	GOLD PLATED				3		
9	SCREW MACHINE CONTACT	COPPER ALLOY	GOLD PLATED					4	5
10	SLEEVE	BRASS	NICKEL PLATED				1	1	1
11	COUPLING NUT	BRASS	NICKEL PLATED				1	1	1
12	INSERT MALE 3 POLE	PUR	BLACK				1		
	INSERT MALE 4 POLE	PUR	BLACK					1	
	INSERT MALE 5 POLE	PUR	BLACK						1

SPECIFICATION
Protection Class - IP67
Voltage Rating - 3 Pole/60V, 4+5 Pole/30V
Contact Current Rating - 3 Amps
Wires: 0.25mm ² PVC/PUR

ENTER DESCRIPTION EC NO: WEU2012-0001 DRWNR: SCHIEBER 2011/07/06 CHKDR: ISSNER 2011/07/13 APPR: CJBURGER 2011/07/20	QUALITY SYMBOLS =0 =0	GENERAL TOLERANCES (UNLESS SPECIFIED)		DIMENSION STYLE IN/MM	SCALE 5:1	DESIGN UNITS INCH	THIRD ANGLE PROJECTION		
		4 PLACES ± --- ± --- 3 PLACES ± --- ± --- 2 PLACES ± --- ± .01 1 PLACE ± 0.3 ± ---	mm INCH ± --- ± --- ± --- ± .01 ± --- ± ---	DRAWN BY BWOODMAN	DATE 18/08/09	TITLE CSE M8 XP MA FE STR PUR PVC UN			
		ANGULAR ±1/2°		CHECKED BY RSTONE	DATE 18/08/09	MOLEX INCORPORATED			
		DRAFT WHERE APPLICABLE MUST REMAIN WITHIN DIMENSIONS		APPROVED BY JFMURPHY	DATE 18/08/09	MATERIAL NO. SEE CHART	DOCUMENT NO. SD-120028-001	SHEET NO. 3 OF 3	



5	Contact	Brass	Gold Plated
4	Coupling Nut	Copper Alloy	Ni Plated
3	Insert	PUR	---
2	Overmold	PUR	---
1	Cabel	See Tabel	---
ITEM	Part	Material	Finish

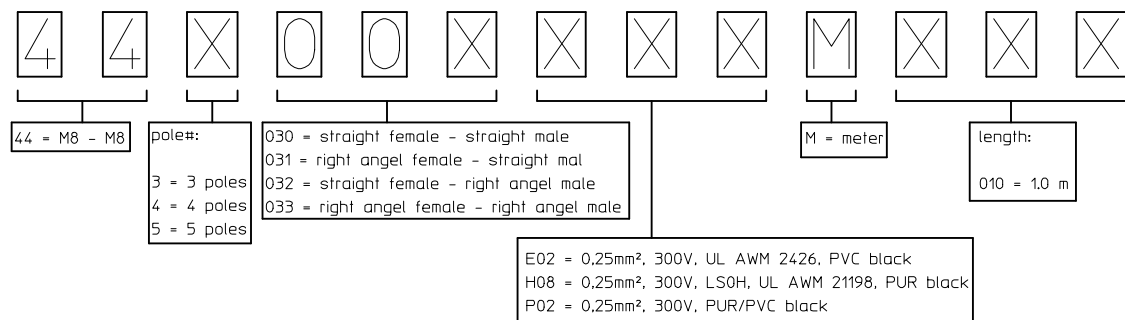


ENTER DESCRIPTION EC NO: IPG2015-0907 DRWN:BBRAUCH 2014/11/12 CHKD:RSILLER 2014/11/13 APPR:CBURGER 2014/11/27	QUALITY SYMBOLS $\nabla=0$ $\sphericalangle=0$	GENERAL TOLERANCES (UNLESS SPECIFIED)		DIMENSION STYLE MM ONLY		SCALE 1:1	DESIGN UNITS METRIC	THIRD ANGLE PROJECTION	
		4 PLACES	\pm ---	\pm ---	mm	INCH	DRAWN BY APOHL	DATE 2011/08/25	TITLE CSE M8 XP XC FE MA RA STR XM
2	DESCRIPTION REV	3 PLACES	\pm ---	\pm ---		CHECKED BY REISSNER	DATE 2011/08/26	MOLEX INCORPORATED	
		2 PLACES	\pm ---	\pm ---		APPROVED BY APOHL	DATE 2013/11/22	DOCUMENT NO. SD-120086-003	SHEET NO. 1 OF 4
		1 PLACE	\pm ---	\pm ---		MATERIAL NO. SEE TABLE	THIS DRAWING CONTAINS INFORMATION THAT IS PROPRIETARY TO MOLEX INCORPORATED AND SHOULD NOT BE USED WITHOUT WRITTEN PERMISSION		
		ANGULAR \pm ----		$^\circ$					
		DRAFT WHERE APPLICABLE MUST REMAIN WITHIN DIMENSIONS							

7 6 5 4 3 2 1

< 1m : +40mm/0 - one rework option for shielded cable
 1-5m : +60mm/0 - one rework option
 5-10m : +80mm/0
 10-20m : +140mm/0 - machine tolerance 0,2% + one rework option for shielded cable
 20-30m : +160mm/0 - machine tolerance 0,2% + one rework option for shielded cable
 >30m : +1%

NUMERICAL CODE:



NOTES:
 Temperatur Range: -25°C/+80°C
 Contact Current Rating: 3A
 Voltage Rating: 3 poles 60V
 4+5 poles 30V
 Protection class: IP67

ENTER DESCRIPTION EC NO: IPG2015-0907 DRWN:BBRAUCH 2014/11/12 CHKD:RSILLER 2014/11/13 APPR:CBURGER 2014/11/27	QUALITY SYMBOLS ▼=0 ▽=0	GENERAL TOLERANCES (UNLESS SPECIFIED)		DIMENSION STYLE MM ONLY		SCALE 2:1	DESIGN UNITS METRIC	THIRD ANGLE PROJECTION		
			mm	INCH	DRAWN BY APOHL	DATE 2011/08/25	TITLE CSE M8 XP XC FE MA RA STR XM			
2	DESCRIPTION REV	4 PLACES	± ---	± ---	CHECKED BY REISSNER	DATE 2011/08/26	MOLEX MOLEX INCORPORATED			
		3 PLACES	± ---	± ---	APPROVED BY APOHL	DATE 2013/11/22				
		2 PLACES	± ---	± ---	MATERIAL NO. SEE TABLE		DOCUMENT NO. SD-120086-003	SHEET NO. 2 OF 4		
		1 PLACE	± ---	± ---	THIS DRAWING CONTAINS INFORMATION THAT IS PROPRIETARY TO MOLEX INCORPORATED AND SHOULD NOT BE USED WITHOUT WRITTEN PERMISSION					
		ANGULAR ± ---°								
		DRAFT WHERE APPLICABLE MUST REMAIN WITHIN DIMENSIONS								

6 5 4 3 2 1

7

6

5

4

3

2

1

A) Female Straight
- Male Straight

Material No.	Eng. No.
1200878272	443030E02M002G
1200878273	443030E02M003
1200875035	443030E02M006
1200878538	443030E02M006Y
1200878258	443030E02M010
1200878280	443030E02M010G
1200878541	443030E02M010Y
1200878281	443030E02M012G
1200878274	443030E02M015
1200280321	443030E02M020
1200878535	443030E02M020Y
1200281282	443030E02M025
1200878275	443030E02M025H
1200280343	443030E02M030
1200280464	443030E02M040
1200878537	443030E02M040Y
1200280462	443030E02M050
1200878276	443030E02M050H
1200878536	443030E02M050Y
1200878277	443030E02M060
1200878494	443030E02M070
1200878278	443030E02M100
1200878279	443030E02M150
1200878558	443030H08M006
1200878500	443030H08M010
1200878149	443030H08M020
1200878540	443030H08M020Y
1200878126	443030H08M030
1200878166	443030H08M040
1200878127	443030H08M050
1200878539	443030H08M050Y
1200878282	443030I02M003
1200280384	443030I02M006
1200280427	443030I02M010
1200878283	443030I02M015
1200878284	443030I02M020
1200878285	443030I02M030

Material No.	Eng. No.
1200878286	443030I02M040
1200878287	443030I02M050
1200878288	443030I02M060
1200878289	443030I02M070
1200878290	443030I02M100
1200878291	443030I02M150
1200870234	443030K05M005
1200870235	443030K05M010
1200870236	443030K05M020
1200870237	443030K05M030
1200870238	443030K05M040
1200878292	443030P02M003
1200878141	443030P02M006
1200878140	443030P02M010
1200878293	443030P02M015
1200878294	443030P02M020
1200878295	443030P02M025
1200878296	443030P02M030
1200878297	443030P02M030G
1200878298	443030P02M035
1200878299	443030P02M040
1200878233	443030P02M050
1200878300	443030P02M060
1200878301	443030P02M070
1200878234	443030P02M100
1200878302	443030P02M150

Material No.	Eng. No.
1200280353	443030P08M006
1200280015	443030P08M020
1200280568	443030P08M040
1200280631	443030P08M055
1200280326	443030P08M080
1200280335	443030P08M100
1200281222	443030P82M003
1200878025	443030P82M006
1200878346	444030E02M003
1200878574	444030E02M003H
1200878347	444030E02M005
1200878348	444030E02M006
1200878349	444030E02M010
1200281284	444030E02M015
1200878350	444030E02M020
1200878351	444030E02M025
1200878352	444030E02M030
1200878575	444030E02M030H
1200878353	444030E02M040
1200878354	444030E02M050
1200878355	444030E02M100
1200878161	444030E02M200
1200878124	444030H08M003
1200878559	444030H08M006
1200878495	444030H08M010
1200878356	444030H08M020

Material No.	Eng. No.
1200878509	444030H08M050
1200870992	444030K05M050
1200878357	444030P02M003
1200878358	444030P02M006
1200878359	444030P02M010
1200878360	444030P02M020
1200878361	444030P02M030
1200878362	444030P02M050
1200878239	445030E02M006
1200878240	445030E02M020
1200878241	445030E02M050
1200271413	445030H08M010
1200281309	445030P02M010
1200878035	445030P02M020
1200870688	445030P02M030
1200878036	445030P02M040
1200281310	445030P02M050
1200878037	445030P02M100
1200878139	445030P02M250
1200281311	445030P08M040

ENTER DESCRIPTION EC NO: IPG2015-0907 DRWN:BBRAUCH 2014/11/12 CHKD:RSILLER 2014/11/13 APPR:CBURGER 2014/11/27	QUALITY SYMBOLS ▽=0 ▽C=0	GENERAL TOLERANCES (UNLESS SPECIFIED)		DIMENSION STYLE MM ONLY	SCALE 2:1	DESIGN UNITS METRIC	THIRD ANGLE PROJECTION
				DRAWN BY DATE APOHL 2011/08/25	TITLE CSE M8 XP XC FE MA RA STR XM		
				CHECKED BY DATE REISSNER 2011/08/26			
				APPROVED BY DATE APOHL 2013/11/22			
2	REV	ANGULAR ±---°		MATERIAL NO.	DOCUMENT NO.	SHEET NO.	
		DRAFT WHERE APPLICABLE MUST REMAIN WITHIN DIMENSIONS		SEE TABLE	SD-120086-003	3 OF 4	
		SIZE A 4	THIS DRAWING CONTAINS INFORMATION THAT IS PROPRIETARY TO MOLEX INCORPORATED AND SHOULD NOT BE USED WITHOUT WRITTEN PERMISSION				

6

5

4

3

2

1

7

6

5

4

3

2

1

B) Female Straight
- Male Right Angle

Material No.	Eng. No.
1200878320	443032E02M006
1200878321	443032E02M010
1200878522	443032E02M050
1200878501	443032H08M010
1200878322	443032P02M006
1200878323	443032P02M008
1200878324	443032P02M010
1200878325	443032P02M020
1200878326	443032P02M030
1200878327	443032P02M050
1200878374	444032E02M003
1200878503	444032E02M010
1200878506	444032H08M010
1200878375	444032P02M006
1200878376	444032P02M008
1200878504	444032P02M010
1200878377	444032P02M020

C) Female Right Angle
- Male Straight

Material No.	Eng. No.
1200878303	443031E02M003
1200875016	443031E02M006
1200280016	443031E02M010
1200878304	443031E02M015
1200878542	443031E02M015Y
1200878305	443031E02M020
1200878306	443031E02M030
1200878307	443031E02M035
1200878557	443031H08M006
1200878499	443031H08M010
1200878128	443031H08M020
1200878130	443031H08M050
1200878309	443031I02M006
1200878310	443031I02M010
1200878311	443031I02M015
1200878312	443031I02M020
1200878313	443031I02M030
1200878314	443031P02M003
1200878315	443031P02M006
1200878316	443031P02M010
1200878317	443031P02M020
1200878318	443031P02M030
1200878319	443031P02M050
1200878363	444031E02M003
1200878364	444031E02M006
1200878365	444031E02M010
1200878366	444031E02M020
1200878367	444031E02M030

D) Female Right Angle
- Male Right Angle

Material No.	Eng. No.
1200878328	443033E02M006
1200878329	443033E02M010
1200878543	443033E02M010Y
1200878330	443033E02M030
1200878505	443033H08M010
1200878331	443033I02M010
1200878332	443033P02M003
1200878333	443033P02M006
1200878502	443033P02M010
1200878334	443033P02M020
1200878507	444033E02M010
1200878508	444033H08M010
1200878379	444033P02M006
1200878380	444033P02M010
1200878381	444033P02M020
1200878582	444033P02M050

ENTER DESCRIPTION EC NO: IPG2015-0907 DRWN:BBRAUCH 2014/11/12 CHKD:RSILLER 2014/11/13 APPR:CBURGER 2014/11/27	QUALITY SYMBOLS
	DESCRIPTION
2	REV

QUALITY SYMBOLS	GENERAL TOLERANCES (UNLESS SPECIFIED)
▽=0	
▽C=0	

GENERAL TOLERANCES (UNLESS SPECIFIED)	
	MM ONLY
	mm
4 PLACES	± ---
3 PLACES	± ---
2 PLACES	± ---
1 PLACE	± ---
0 PLACE	± ---
ANGULAR ± ---°	
DRAFT WHERE APPLICABLE MUST REMAIN WITHIN DIMENSIONS	

DIMENSION STYLE	
MM ONLY	
DRAWN BY	DATE
APOHL	2011/08/25
CHECKED BY	DATE
REISSNER	2011/08/26
APPROVED BY	DATE
APOHL	2013/11/22
MATERIAL NO.	
SEE TABLE	
SIZE	
A 4	

SCALE	DESIGN UNITS	THIRD ANGLE PROJECTION
2:1	METRIC	THIRD ANGLE PROJECTION
TITLE		
CSE M8 XP XC FE MA RA STR XM		
molex		
DOCUMENT NO.		SHEET NO.
SD-120086-003		4 OF 4
THIS DRAWING CONTAINS INFORMATION THAT IS PROPRIETARY TO MOLEX INCORPORATED AND SHOULD NOT BE USED WITHOUT WRITTEN PERMISSION		

6

5

4

3

2

1

X-ON Electronics

Largest Supplier of Electrical and Electronic Components

Click to view similar products for [Circular MIL Spec Connector](#) category:

Click to view products by [Molex](#) manufacturer:

Other Similar products are found below :

[89075GULPR](#) [0025-262-542](#) [0025-264-3014](#) [58-570121-04S](#) [0134-213-1208](#) [0134-213-2209](#) [0025-258-000](#) [60-042022-07P](#) [60-042022-19P](#)
[60-042022-23P](#) [60-042217-10P](#) [0114-201-1278](#) [012-0467-000](#) [602GB06EG24-61SN](#) [0134-201-1207](#) [0134-213-1006](#) [6104-207-2302](#) [6104-](#)
[208-1902](#) [61-168211-04P](#) [61-168617-10P](#) [6131-202-19149P](#) [6131-204-21149P](#) [6131-208-13149P](#) [6131-209-17149P](#) [6131-210-11149P](#) [6131-](#)
[211-19149P](#) [6131-216-19149P](#) [6131-259-21149P](#) [6131-259-23149P](#) [6131-265-17149P](#) [6131-265-19149P](#) [CS3100A18-1P-472](#) [CS3100A-36-](#)
[77P](#) [CS3101A-16-55P](#) [CS3102A-10SL-55P](#) [CS3102A-14S-58P](#) [CS3102A-32-17P](#) [CS3102A32-25S](#) [CS3102C18-4P-472](#)
[CS3106A10SL3S004](#) [CS3106A-18-73S](#) [CS3108A-14S-52S](#) [CS3108A-28-51S](#) [6162-233-1277](#) [6162-324-1231](#) [M243082296Z](#)
[M2884010AC1S1](#) [CT0-24-10SC](#) [CT0M20-7PCAU](#) [M28840/17AC1G3](#)