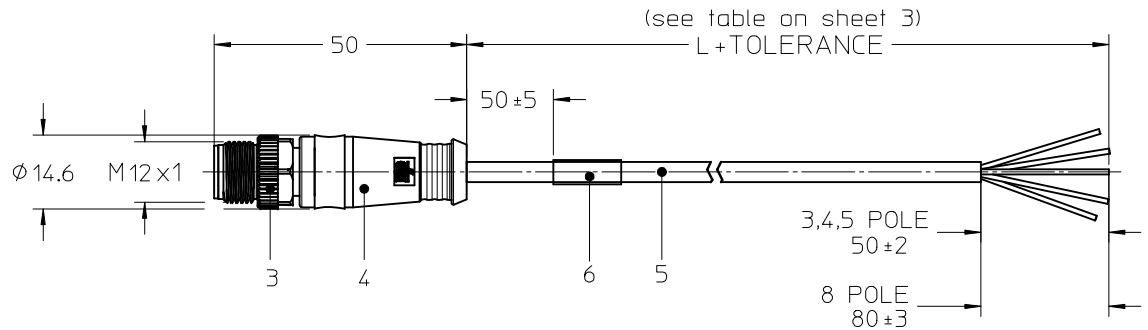
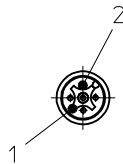


STRAIGHT PLUG MALE



NOTES:

TEMPERATURE RANGE	SEE TABLE ON PAGE 2
CONTACT CURRENT RATING	3-5 POLES 4A 8 POLES 2A
VOLTAGE RATING	3-4 POLES 250V 5 POLES 60V 8 POLES 30V
PROTECTION CLASS	IP 67

TOLERANCES :	
≤ 1m	+40 mm
1m - 5m	+60 mm
5m - 10m	+80 mm
> 10m	+140 mm
> 20m	+160 mm
> 30m	+1%

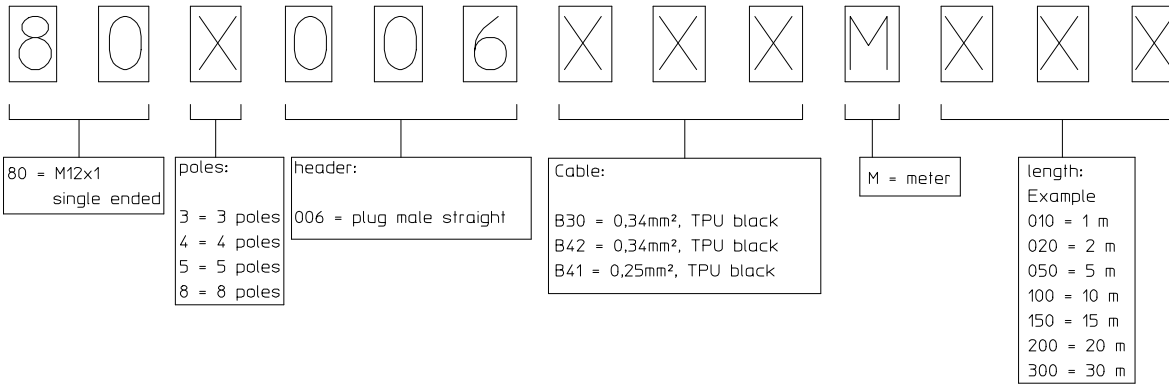
Mating face view:

3 WIRE	4 WIRE	5 WIRE	5 WIRE	8 WIRE
B30	B30	B30	B42	B41
PIN # WIRE	PIN # WIRE	PIN # WIRE	PIN # WIRE	PIN # WIRE
1 BROWN 2 - 3 BLUE 4 BLACK 5 -	1 BROWN 2 WHITE 3 BLUE 4 BLACK 5 -	1 BROWN 2 WHITE 3 BLUE 4 BLACK 5 GREY	1 BROWN 2 WHITE 3 BLUE 4 BLACK 5 GREEN/YELLOW	1 WHITE 2 BROWN 3 GREEN 4 YELLOW 5 GREY 6 PINK 7 BLUE 8 RED
CODING REQUIRED TO IEC 61076-2-101				

ITEM	DESCRIPTION	MATERIAL	FINISH
6	LABEL	---	---
5	CABLE	SEE TABLE (SHEET 2)	---
4	OVERMOULDING	TPU	BLACK
3	COUPLING NUT MALE SW13	BRASS	NI PLATED
2	PIN CONTACT	BRASS	GOLD PLATED
1	INSERT	PA	BLACK

ENTER DESCRIPTION EC NO: IPG2015-0861 DRW: FSCHAFHAUSER 2014/11/06 CHK: DRSILLER 2014/11/07 APPR: CBURGER 2014/11/14	QUALITY SYMBOLS ▽=0 ◻=0	GENERAL TOLERANCES (UNLESS SPECIFIED)		DIMENSION STYLE MM ONLY		SCALE 1:1	DESIGN UNITS METRIC	THIRD ANGLE PROJECTION	
		4 PLACES ± --- ± --- 3 PLACES ± --- ± --- 2 PLACES ± 0.05 ± --- 1 PLACE ± 0.30 ± --- 0 PLACE ± 0.50 ± ---		DRAWN BY DATE FSCHAFHAUSER 2014/01/07		TITLE CSE M12 XP AC MA STR XM SE UNSH			
		ANGULAR ± 1 °		CHECKED BY DATE PMERUNKA 2014/03/06					
		DRAFT WHERE APPLICABLE MUST REMAIN WITHIN DIMENSIONS		APPROVED BY DATE CBURGER 2014/05/07					
MATERIAL NO.		SEE TABLE		DOCUMENT NO. SD-120065-073		SHEET NO. 1 OF 3			

NUMERICAL CODE (Available parts see table page 3 ff others on request.)



CABLE TYPE	WIRE GAUGE	CABLE JACKET	UL	CSA	static	flexing	drag chain tested	other
B30 3P, 4P, 5P	0.34mm ²	TPU black	STYLE 21215	yes	-40°C to +90°C 5xD	-25°C to +80°C 7.5xD	5 mio cycles	WELD SLAG RESISTANCE
B42 5P								
B41 8P	0.25mm ²	TPU black	STYLE 21215	yes	-40°C to +90°C 5xD	-25°C to +80°C 7.5xD	5 mio cycles	WELD SLAG RESISTANCE

For cable specification see on drawing SD-120209-001 (B30;B42) and SD-120209-006 (B41)

ENTER DESCRIPTION EC NO: IPG2015-0861 DRWN:FSCHAFHAUSER 2014/11/06 CHKD:RSILLER 2014/11/07 APPR:CBURGER 2014/11/14	DESCRIPTION 4	QUALITY SYMBOLS	GENERAL TOLERANCES (UNLESS SPECIFIED) mm INCH 4 PLACES ± --- ± --- 3 PLACES ± --- ± --- 2 PLACES ± 0.05 ± --- 1 PLACE ± 0.30 ± --- 0 PLACE ± 0.50 ± --- ANGULAR ± 1 ° DRAFT WHERE APPLICABLE MUST REMAIN WITHIN DIMENSIONS	DIMENSION STYLE	SCALE	DESIGN UNITS	THIRD ANGLE PROJECTION	TITLE CSE M12 XP AC MA STR XM SE UNSH molex DOCUMENT NO. SD-120065-073 SHEET NO. 2 OF 3
		MM ONLY		1:1	METRIC	DRAWN BY DATE FSCHAFHAUSER 2014/01/07 CHECKED BY DATE PMERUNKA 2014/03/06 APPROVED BY DATE CBURGER 2014/05/07		
		MATERIAL NO. SEE TABLE		THIS DRAWING CONTAINS INFORMATION THAT IS PROPRIETARY TO MOLEX INCORPORATED AND SHOULD NOT BE USED WITHOUT WRITTEN PERMISSION				
		SIZE		A3				

PART LIST

PART NUMBER	NUMERICAL CODE	CABLE LENGTH "L" IN M
1200652271	803006B30M010	1M
1200652272	803006B30M020	2M
1200652273	803006B30M050	5M
1200652274	803006B30M100	10M
1200652275	804006B30M010	1M
1200652276	804006B30M020	2M
1200652277	804006B30M050	5M
1200652278	804006B30M100	10M
1200659440	804006B30M150	15M
1200659526	805006B30M010	1M
1200659527	805006B30M020	2M
1200659528	805006B30M050	5M
1200659529	805006B30M100	10M
1200652279	805006B42M010	1M
1200652280	805006B42M020	2M
1200652281	805006B42M050	5M
1200652282	805006B42M100	10M
1200659546	805006B42M200	20M
1200659547	805006B42M300	30M
1200652302	808006B41M010	1M
1200659453	808006B41M020	2M
1200652304	808006B41M050	5M
1200652305	808006B41M100	10M

ENTER DESCRIPTION EC NO: IPG2015-0861 DRWN:FSCHAFHAUSER 2014/11/06 CHKD:RSILLER 2014/11/07 APPR:CBURGER 2014/11/14	DESCRIPTION REV 4	QUALITY SYMBOLS =0 =0	GENERAL TOLERANCES (UNLESS SPECIFIED) <table border="1"> <thead> <tr> <th></th> <th>mm</th> <th>INCH</th> </tr> </thead> <tbody> <tr><td>4 PLACES</td><td>± ---</td><td>± ---</td></tr> <tr><td>3 PLACES</td><td>± ---</td><td>± ---</td></tr> <tr><td>2 PLACES</td><td>± 0.05</td><td>± ---</td></tr> <tr><td>1 PLACE</td><td>± 0.30</td><td>± ---</td></tr> <tr><td>0 PLACE</td><td>± 0.50</td><td>± ---</td></tr> </tbody> </table>		mm	INCH	4 PLACES	± ---	± ---	3 PLACES	± ---	± ---	2 PLACES	± 0.05	± ---	1 PLACE	± 0.30	± ---	0 PLACE	± 0.50	± ---	DIMENSION STYLE MM ONLY	SCALE 1:1	DESIGN UNITS METRIC	THIRD ANGLE PROJECTION
			mm	INCH																					
		4 PLACES	± ---	± ---																					
		3 PLACES	± ---	± ---																					
2 PLACES	± 0.05	± ---																							
1 PLACE	± 0.30	± ---																							
0 PLACE	± 0.50	± ---																							
DRAWN BY FSCHAFHAUSER	DATE 2014/01/07	TITLE CSE M12 XP AC MA STR XM SE UNSH																							
CHECKED BY PMERUNKA	DATE 2014/03/06																								
APPROVED BY CBURGER	DATE 2014/05/07	MATERIAL NO. SEE TABLE	DOCUMENT NO. SD-120065-073																						
DRAFT WHERE APPLICABLE MUST REMAIN WITHIN DIMENSIONS		SIZE A3	SHEET NO. 3 OF 3																						
THIS DRAWING CONTAINS INFORMATION THAT IS PROPRIETARY TO MOLEX INCORPORATED AND SHOULD NOT BE USED WITHOUT WRITTEN PERMISSION																									

X-ON Electronics

Largest Supplier of Electrical and Electronic Components

Click to view similar products for [Specialised Cables category](#):

Click to view products by [Molex manufacturer](#):

Other Similar products are found below :

[GP-IE515546DS-002](#) [96CB-L2020PIB2](#) [1200740161](#) [R7ACAB003S](#) [R88ACAKA0015SRE](#) [R88ACAWL005SDE](#) [R88ACRGB010C](#)
[R88ACRGD0R3C](#) [R88ACRGD0R3CBS](#) [R88ACRKA020CRE](#) [1300660201](#) [1971465-2](#) [22733-8](#) [2R7004A20F060](#) [SSL009PC2DC012N](#)
[FC2A-KC6C](#) [FZVS415M](#) [CCSFCBF2](#) [R7ACAB005S](#) [R88ACAGD003SRE](#) [R88ACAGE005BRE](#) [R88ACAKE003SRE](#) [R88ACAKE005SRE](#)
[R88ACAKE010SRE](#) [R88ACRKM010SRE](#) [R88AFIK222RE](#) [XS2WM12PUR4SA10M](#) [XS2WM12PVC4SA10M](#) [05AU05](#) [UCABLE](#)
[10114734-2010LF](#) [R88ACRKC015NRE](#) [XW2Z010H3](#) [XW2Z010H1](#) [5-1589827-8](#) [861084-1](#) [XW2Z200JB24](#) [CR4000A76M020](#)
[1300140039](#) [CR4000A76M005](#) [CR4006A76M005](#) [10077488-N0550FDLF](#) [XW2ZRY150C](#) [I4JPBJLUXX100](#) [I4JPBJLUXX50](#) [CM06W](#)
[CM08](#) [POE004](#) [0243 009 05](#) [0243 009 20](#)