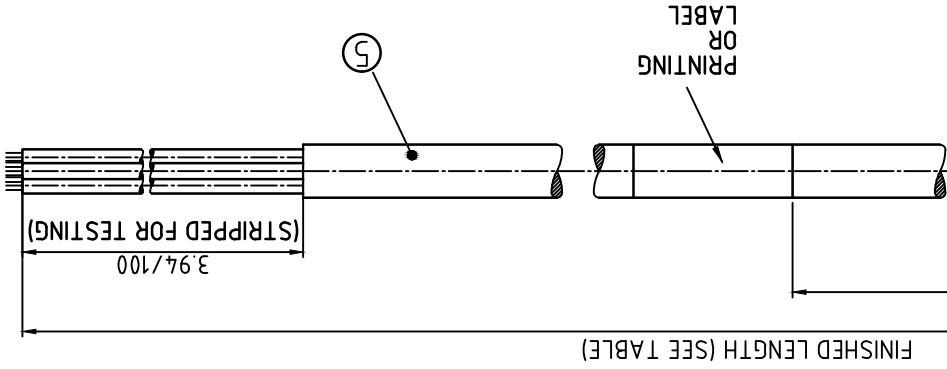
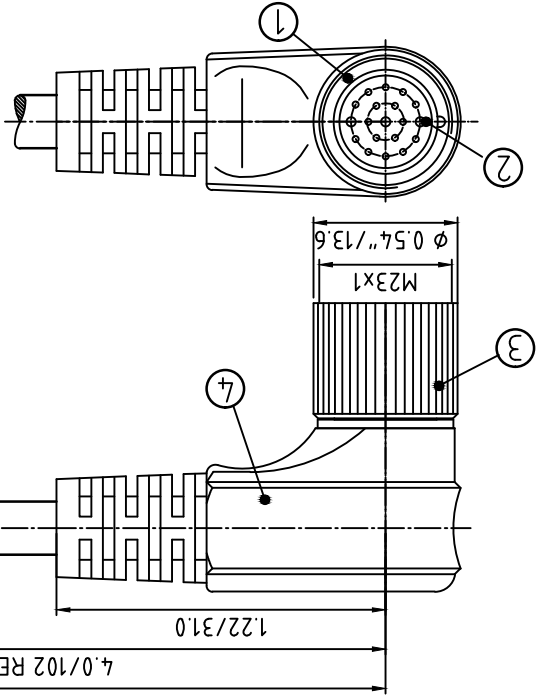
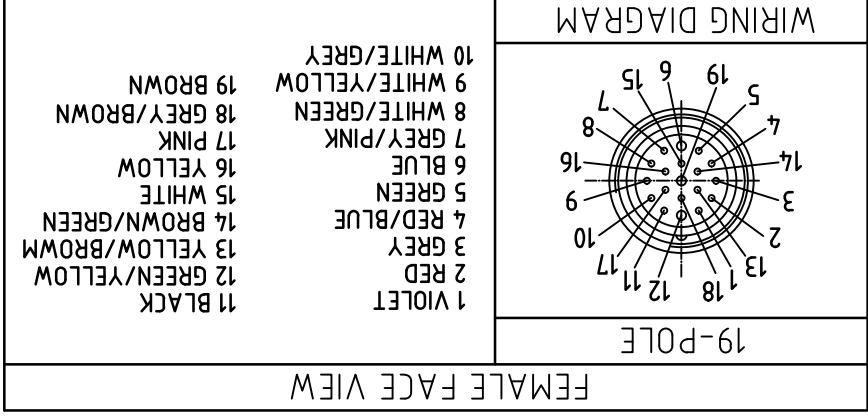


ITEM	COMPONENT	MATERIAL	FINISH
1	INSERT	POLYURETHANE (PUR)	BLACK
2	CONTACT MATERIAL	COPPER ALLOY	GOLD OVER NICKEL
3	COUPLING NUT	BRASS	NICKEL PLATED
4	OVERMOLD	TPU	BLACK
5	CABLE 3x0.75 ² /18 AWG CABLE 16x0.34 ² /22 AWG	JACKET: PUR	JACKET: BLACK



POLE	MATERIAL NUMBER	ENGINEERING NUMBER	FINISHED LENGTH
19	1200945009	K03001B20M100	32.81" +12.50" -0 [10.0M +317.5 -0]
19	1200940031	K03001B20M150	49.21" +24.50" -0 [15.0M +622.3 -0]

CONNECTOR SPECIFICATION:

VOLTAGE RATING	300V AC/DC
AMPERAGE RATING	6 AMPS
PROTECTION CLASS	IP67
OPERATING TEMPERATURE	-25°C TO 90°C
UL CERTIFICATIONS	E172949
CSA CERTIFICATIONS	LL107556

QUALITY SYMBOLS	0 = 0 =
GENERAL TOLERANCES (UNLESS SPECIFIED)	mm INCH
4 PLACES	±0.05
3 PLACES	±0.1
2 PLACES	±0.1
1 PLACE	±0.1
0 PLACE	±1
ANGULAR ± 1°	
DRAFT WHERE APPLICABLE MUST REMAIN WITHIN DIMENSIONS	

DIMENSION STYLE	IN/MM
SCALE	2:1
DESIGN UNITS	METRIC
THIRD ANGLE PROJECTION	

DRAWN BY	DATE	CHECKED BY	DATE	APPROVED BY	DATE
BBRAUCH	2013/08/12	BBRAUCH	2013/08/12	AP-OHL	2013/08/13
CSE M23 19P AC FE RA PUR XM SE UNSH BK BRA AU					

DOCUMENT NO.	SD-120094-052
SHEET NO.	1 OF 1

DESCRIPTION	EC NO.: P52014-0293 DRWN: BBRACH 2013/08/12 CHKD: AP-OHL APPR: GBURGER 2013/08/13
-------------	--

SIZE	A3
THIS DRAWING CONTAINS INFORMATION THAT IS PROPRIETARY TO MOLEX INCORPORATED AND SHOULD NOT BE USED WITHOUT WRITTEN PERMISSION	

X-ON Electronics

Largest Supplier of Electrical and Electronic Components

Click to view similar products for [Circular MIL Spec Connector](#) category:

Click to view products by [Molex](#) manufacturer:

Other Similar products are found below :

[89075GULPR](#) [0025-262-542](#) [0025-264-3014](#) [58-570121-04S](#) [0134-213-1208](#) [0134-213-2209](#) [0025-258-000](#) [60-042022-07P](#) [60-042022-19P](#)
[60-042022-23P](#) [60-042217-10P](#) [0114-201-1278](#) [012-0467-000](#) [602GB06EG24-61SN](#) [0134-201-1207](#) [0134-213-1006](#) [6104-207-2302](#) [6104-](#)
[208-1902](#) [61-168211-04P](#) [61-168617-10P](#) [6131-202-19149P](#) [6131-204-21149P](#) [6131-208-13149P](#) [6131-209-17149P](#) [6131-210-11149P](#) [6131-](#)
[211-19149P](#) [6131-216-19149P](#) [6131-259-21149P](#) [6131-259-23149P](#) [6131-265-17149P](#) [6131-265-19149P](#) [CS3100A18-1P-472](#) [CS3100A-36-](#)
[77P](#) [CS3101A-16-55P](#) [CS3102A-10SL-55P](#) [CS3102A-14S-58P](#) [CS3102A-32-17P](#) [CS3102A32-25S](#) [CS3102C18-4P-472](#)
[CS3106A10SL3S004](#) [CS3106A-18-73S](#) [CS3108A-14S-52S](#) [CS3108A-28-51S](#) [6162-233-1277](#) [6162-324-1231](#) [M243082296Z](#)
[M2884010AC1S1](#) [CT0-24-10SC](#) [CT0M20-7PCAU](#) [M28840/17AC1G3](#)