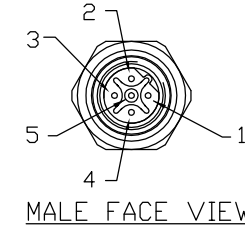
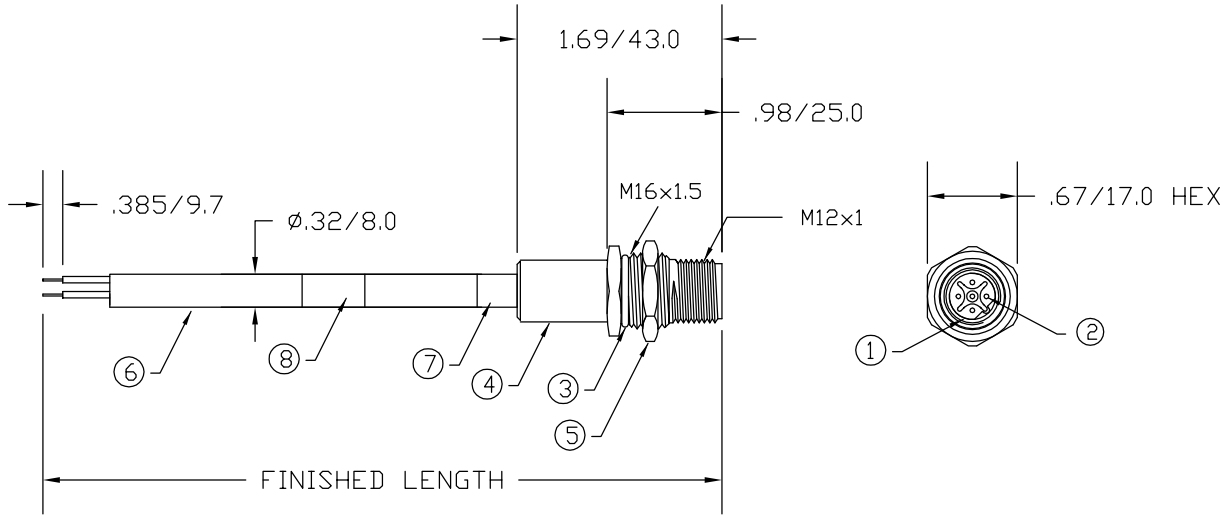
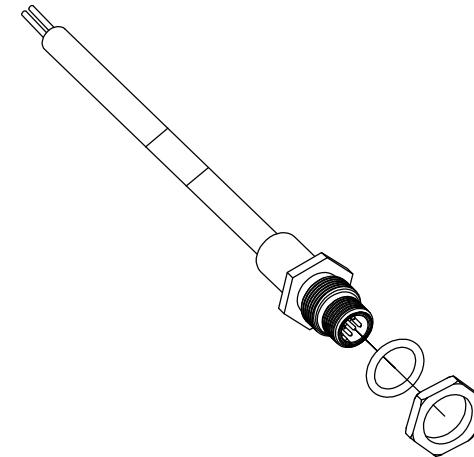


MATERIAL NUMBER	OLD PART NUMBER	FINISHED LENGTH
120099-0013	BR5U76PP4M0103	3.28' +2.19" -0 [1.0M +55.6 -0]
120099-0015	BR5U76PP4M0203	6.56' +3.50" -0 [2.0M +88.9 -0]
120099-8001	BR5U76PP4M0303	9.84' +3.50" -0 [3.0M +88.9 -0]
120099-0016	BR5U76PP4M0403	13.12' +6.50" -0 [4.0M +165.1 -0]
120099-0019	BR5U76PP4M0503	16.40' +6.50" -0 [5.0M +165.1 -0]



WIRING DIAGRAM	DESCRIPTION
1	NOT CONNECTED
2	GREEN (LINE A)
3	NOT CONNECTED
4	RED (LINE B)
5	DRAIN WIRE

WIRING DIAGRAM

ITEM	COMPONENT	MATERIAL	FINISH
1	INSERT	NYLON	BLACK
2	CONTACT PIN	COPPER ALLOY	GOLD OVER NICKEL
3	O-RING	NITRILE	BLACK
4	RECEPTACLE SHELL	BRASS	NICKEL PLATED
5	LOCKNUT	BRASS	NICKEL PLATED
6	CONDUCTOR- 24 AWG, (.22mm) COPPER STRANDING TWISTED PAIR SHIELD WITH BRAID	PUR	PURPLE
7	HEAT SHRINK TUBING	POLYOLEFIN	BLACK
8	LABEL	MYLAR	BLACK/YELLOW

VOLTAGE RATING	250 VAC/VDC
AMPERAGE RATING	4 AMPS
PROTECTION	IP67
OPERATING TEMPERATURE	-20°C TO 80°C

<b>RLSD DRAWING</b> EC NO: WNA209-0631 DRWN: BWOODMAN CHKD: JM APPR: JFMURPHY 2009/04/01 3/26/09	QUALITY SYMBOLS	GENERAL TOLERANCES (UNLESS SPECIFIED) <table border="1"> <thead> <tr> <th></th> <th>mm</th> <th>INCH</th> </tr> </thead> <tbody> <tr> <td>4 PLACES</td> <td>±----</td> <td>±---</td> </tr> <tr> <td>3 PLACES</td> <td>±----</td> <td>±---</td> </tr> <tr> <td>2 PLACES</td> <td>±----</td> <td>±.01</td> </tr> <tr> <td>1 PLACE</td> <td>±0.3</td> <td>±---</td> </tr> </tbody> </table>		mm	INCH	4 PLACES	±----	±---	3 PLACES	±----	±---	2 PLACES	±----	±.01	1 PLACE	±0.3	±---
			mm	INCH													
	4 PLACES		±----	±---													
	3 PLACES		±----	±---													
2 PLACES	±----	±.01															
1 PLACE	±0.3	±---															
$\nabla=0$ $\sphericalangle=0$	DIMENSION STYLE IN/MM																
DRAFT WHERE APPLICABLE MUST REMAIN WITHIN DIMENSIONS	SCALE ---																
REV A	DESIGN UNITS ---																

THIRD ANGLE PROJECTION
TITLE <b>MICRO-CHANGE RECEPTACLE          5P MALE PROFIBUS          M16 MOUNTING THREADS</b>
MOLEX INCORPORATED
MATERIAL NO. <b>SEE CHART</b>
DOCUMENT NO. <b>SD-120099-001</b>
SHEET NO. <b>1 OF 1</b>

DRAWN BY <b>BW</b>	DATE <b>2009/03/27</b>
CHECKED BY <b>TW</b>	DATE <b>2009/03/27</b>
APPROVED BY ---	DATE ---
SIZE <b>A</b>	THIS DRAWING CONTAINS INFORMATION THAT IS PROPRIETARY TO MOLEX INCORPORATED AND SHOULD NOT BE USED WITHOUT WRITTEN PERMISSION

MOLEX INCORPORATED
DOCUMENT NO. <b>SD-120099-001</b>
SHEET NO. <b>1 OF 1</b>

## X-ON Electronics

Largest Supplier of Electrical and Electronic Components

*Click to view similar products for [Specialised Cables category](#):*

*Click to view products by [Molex manufacturer](#):*

Other Similar products are found below :

[GP-IE515546DS-002](#) [96CB-L2020PIB2](#) [1200740161](#) [R7ACAB003S](#) [R88ACAKA0015SRE](#) [R88ACAWL005SDE](#) [R88ACRGB010C](#)  
[R88ACRGD0R3C](#) [R88ACRGD0R3CBS](#) [R88ACRKA020CRE](#) [1300660201](#) [1971465-2](#) [22733-8](#) [2R7004A20F060](#) [SSL009PC2DC012N](#)  
[FC2A-KC6C](#) [FZVS415M](#) [CCSFCBF2](#) [R7ACAB005S](#) [R88ACAGD003SRE](#) [R88ACAGE005BRE](#) [R88ACAKE003SRE](#) [R88ACAKE005SRE](#)  
[R88ACAKE010SRE](#) [R88ACRKM010SRE](#) [R88AFIK222RE](#) [XS2WM12PUR4SA10M](#) [XS2WM12PVC4SA10M](#) [05AU05](#) [UCABLE](#)  
[10114734-2010LF](#) [R88ACRKC015NRE](#) [XW2Z010H3](#) [XW2Z010H1](#) [5-1589827-8](#) [861084-1](#) [XW2Z200JB24](#) [CR4000A76M020](#)  
[1300140039](#) [CR4000A76M005](#) [CR4006A76M005](#) [10077488-N0550FDLF](#) [XW2ZRY150C](#) [I4JPBJLUXX100](#) [I4JPBJLUXX50](#) [CM06W](#)  
[CM08](#) [POE004](#) [0243 009 05](#) [0243 009 20](#)