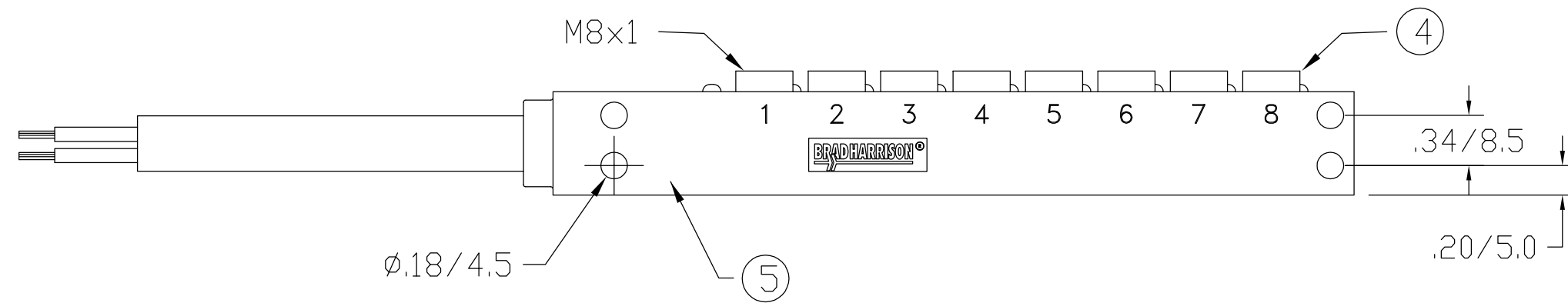
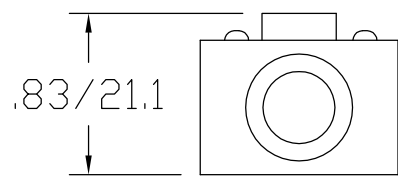
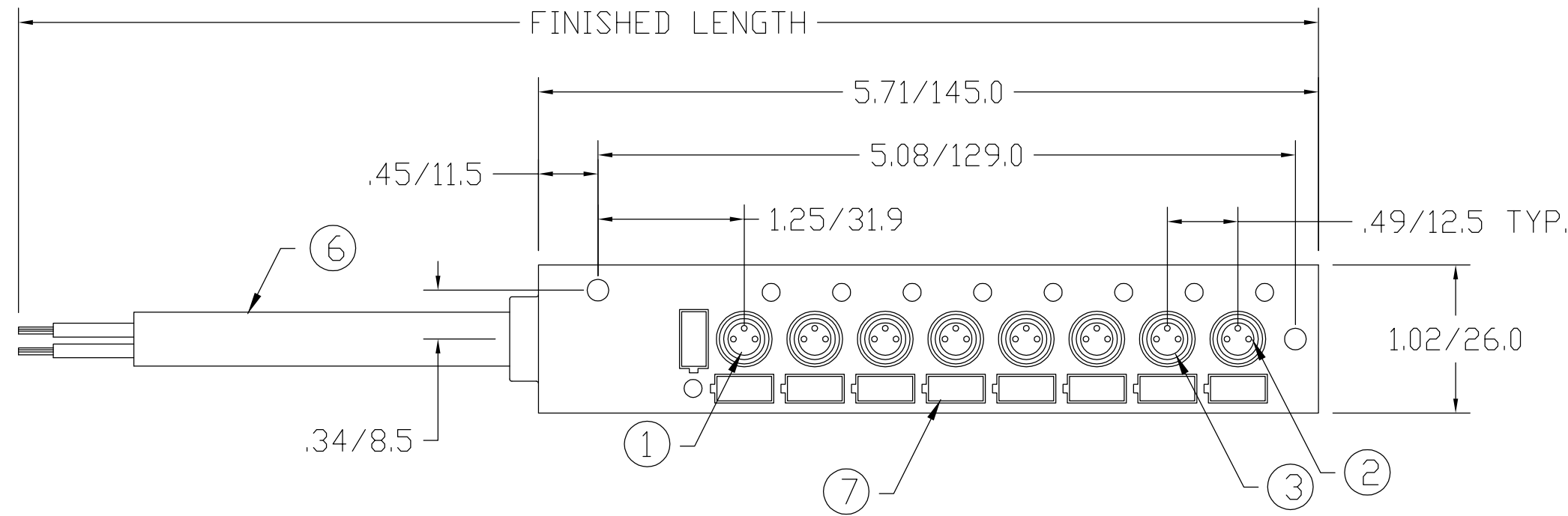
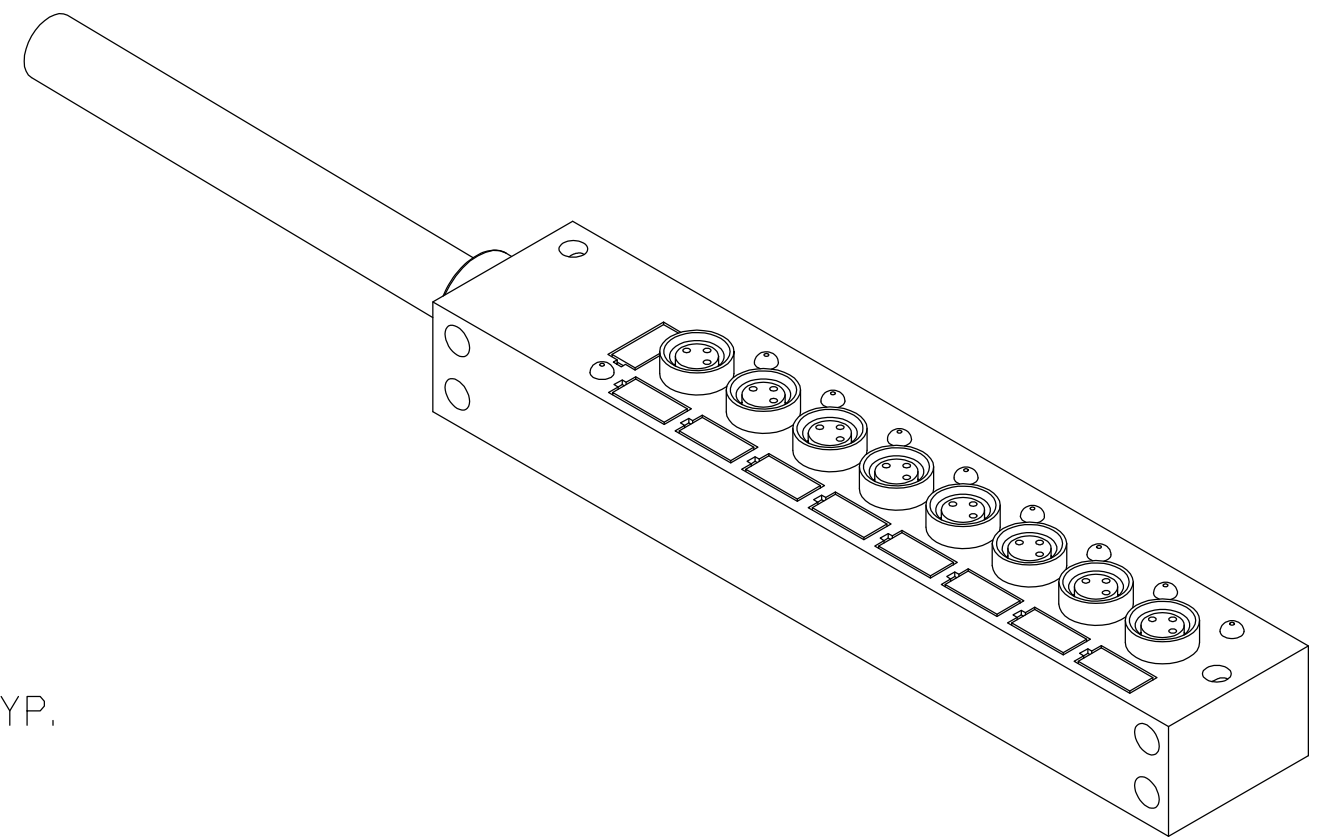
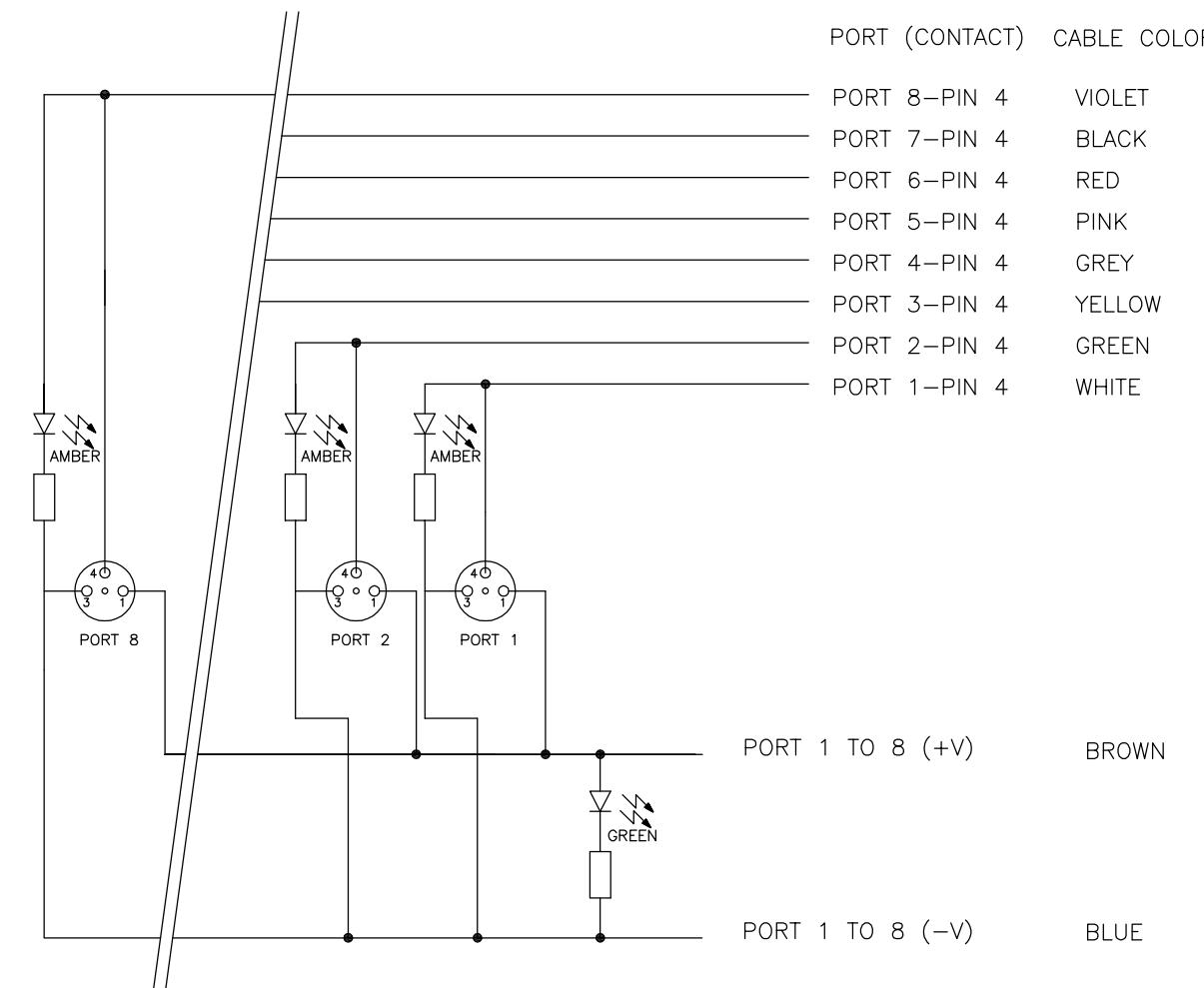


13	12	11	10	9	8	7	6	5	4	3	2	1
<b>MATERIAL NUMBER</b>	<b>OLD PART NUMBER</b>	<b>FINISHED LENGTH</b>										

120113-0014	BEY801P-FBP-05	16.40' +6.50" -0 [5.0M +165.1 -0]										
-------------	----------------	-----------------------------------	--	--	--	--	--	--	--	--	--	--



PORT (CONTACT)	CABLE COLORS
PORT 8-PIN 4	VIOLET
PORT 7-PIN 4	BLACK
PORT 6-PIN 4	RED
PORT 5-PIN 4	PINK
PORT 4-PIN 4	GREY
PORT 3-PIN 4	YELLOW
PORT 2-PIN 4	GREEN
PORT 1-PIN 4	WHITE



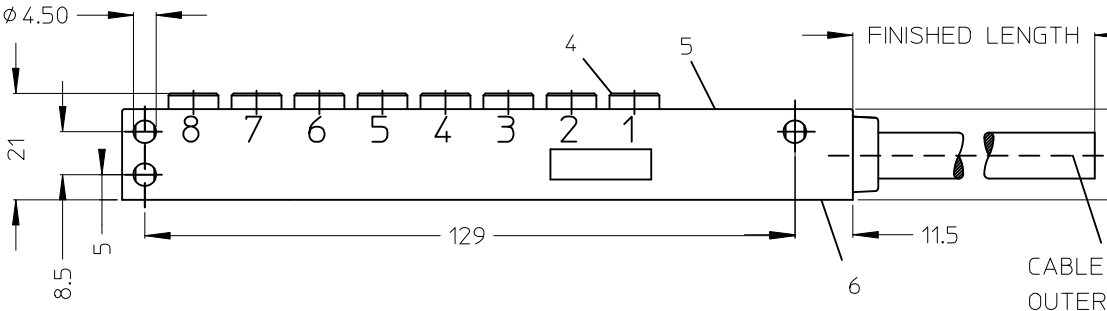
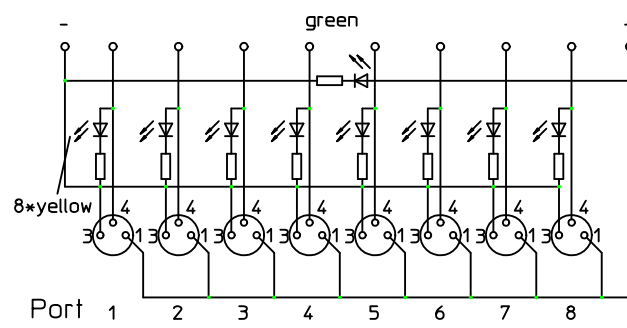
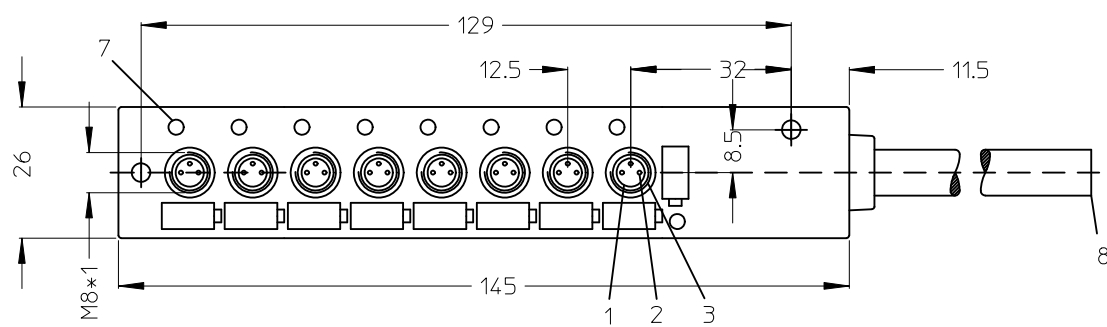
WIRING DIAGRAM

ITEM	COMPONENT	MATERIAL	FINISH
1	INSERT	POLYESTER	YELLOW
2	CONTACT SOCKET	COPPER ALLOY	GOLD OVER NICKEL
3	O-RING	VITON	RED
4	RECEPTACLE SHELL	BRASS	NICKEL PLATED
5	HOUSING	NYLON	YELLOW
6	CABLE- 18AWG, 2 CONDUCTOR; 22 AWG, 8 CONDUCTOR, 300V	PVC	YELLOW
7	LABEL	ABS	WHITE

VOLTAGE RATING	10-30 VDC
AMPERAGE RATING PER PORT	2 AMPS
PROTECTION	IP67
OPERATING TEMPERATURE	-20°C TO 90°C

RELEASE DRAWING EC NO: WEU2010-0058 DRWN: LHARTMAN 8/19/09 CH'KD: BWOODMAN 2009/08/21 APPR: JFMURPHY 2009/08/21	QUALITY SYMBOL ▽=0 ◁=0	GENERAL TOLERANCES (UNLESS SPECIFIED)		DIMENSION STYLE		SCALE	DESIGN UNITS	THIRD ANGLE PROJECTION
				IN/MM		NTS	METRIC	
				DRAWN BY DATE		TITLE		
				CHECKED BY DATE		MOLEX INCORPORATED		
		APPROVED BY DATE		MATERIAL NO.		DOCUMENT NO.		SHEET NO.
		ANGULAR ±---°		SEE CHART		SD-120113-003		1 OF 1
		DRAFT WHERE APPLICABLE MUST REMAIN WITHIN DIMENSIONS		SIZE C		THIS DRAWING CONTAINS INFORMATION THAT IS PROPRIETARY TO MOLEX INCORPORATED AND SHOULD NOT BE USED WITHOUT WRITTEN PERMISSION		

SAP-NUMBER	OLD PART NUMBER	FINISHED LENGTH
1201130014	BEY801P-FBP-05	5000
1201130015	BEY801P-FBP-10	10000



Contact configuration	wire colour	+	-	2 wire mm	Port	100 connector Contact No.
	brown	(+)		0.75	1-8	1
	blue	(-)		0.75	1-8	3
	white			0.34	1	4
	green			0.34	2	4
	yellow			0.34	3	4
	grey			0.34	4	4
	pink			0.34	5	4
	red			0.34	6	4
black			0.34	7	4	
violet			0.34	8	4	

CLOSURE CAP

SAP no. 1203080677  
Quantity 2

VOLTAGE RATING	10 - 30 VDC
AMPERAGE RATING PER PORT	2 A MAX/PORT 6 A MAX. TOTAL
PROTECTION	IP 67
OPERATING TEMPERATURE	-25°C / +90 °C

ITEM	COMPONENT	MATERIAL	FINISH
1	INSERT	PUR	BLACK
2	CONTAC SOCKET	BRASS	GOLD OVER NICKEL
3	O-RING	VITON	---
4	RECEPTACLE SHELL	BRASS	NICKEL PLATED
5	HOUSING	PBT	YELLOW
6	LABEL	ABS	WHITE
7	LENS	PA	CLEAR
8	CABLE	PUR	---

NEW RELEASE  
EC NO: WEU2010-0248  
2010/01/08  
DRMNSBH  
CHKD-APHL WEU  
2010/01/08  
APPROVAL: JGEL  
2010/01/29

QUALITY SYMBOLS	GENERAL TOLERANCES (UNLESS SPECIFIED)	DIMENSION STYLE
▽=0	mm INCH	MM ONLY
▽=0	4 PLACES ±--- ±---	
	3 PLACES ±--- ±---	
	2 PLACES ±--- ±---	
	1 PLACE ±0.3 ±---	
	ANGULAR ±---°	

DRAWN BY	DATE	CHECKED BY	DATE	APPROVED BY	DATE
SBH	2010/01/08	APPHL WEU	2010/01/08	NSTAUDIGEL	2010/01/29

SCALE DESIGN UNITS THIRD ANGLE PROJECTION  
METRIC

TITLE  
M8-MPIS 8 PORT CABLE  
3 POL STRAIGHT OUTLINE

MATERIAL NO. DOCUMENT NO. SHEET NO.  
SEE TABLE SD-120113-016 1 OF 1

THIS DRAWING CONTAINS INFORMATION THAT IS PROPRIETARY TO MOLEX INCORPORATED AND SHOULD NOT BE USED WITHOUT WRITTEN PERMISSION

## X-ON Electronics

Largest Supplier of Electrical and Electronic Components

*Click to view similar products for [Circular MIL Spec Connector](#) category:*

*Click to view products by [Molex](#) manufacturer:*

Other Similar products are found below :

[89075GULPR](#) [0025-262-542](#) [0025-264-3014](#) [58-570121-04S](#) [0134-213-1208](#) [0134-213-2209](#) [0025-258-000](#) [60-042022-07P](#) [60-042022-19P](#)  
[60-042022-23P](#) [60-042217-10P](#) [0114-201-1278](#) [012-0467-000](#) [602GB06EG24-61SN](#) [0134-201-1207](#) [0134-213-1006](#) [6104-207-2302](#) [6104-](#)  
[208-1902](#) [61-168211-04P](#) [61-168617-10P](#) [6131-202-19149P](#) [6131-204-21149P](#) [6131-208-13149P](#) [6131-209-17149P](#) [6131-210-11149P](#) [6131-](#)  
[211-19149P](#) [6131-216-19149P](#) [6131-259-21149P](#) [6131-259-23149P](#) [6131-265-17149P](#) [6131-265-19149P](#) [CS3100A18-1P-472](#) [CS3100A-36-](#)  
[77P](#) [CS3101A-16-55P](#) [CS3102A-10SL-55P](#) [CS3102A-14S-58P](#) [CS3102A-32-17P](#) [CS3102A32-25S](#) [CS3102C18-4P-472](#)  
[CS3106A10SL3S004](#) [CS3106A-18-73S](#) [CS3108A-14S-52S](#) [CS3108A-28-51S](#) [6162-233-1277](#) [6162-324-1231](#) [M243082296Z](#)  
[M2884010AC1S1](#) [CT0-24-10SC](#) [CT0M20-7PCAU](#) [M28840/17AC1G3](#)