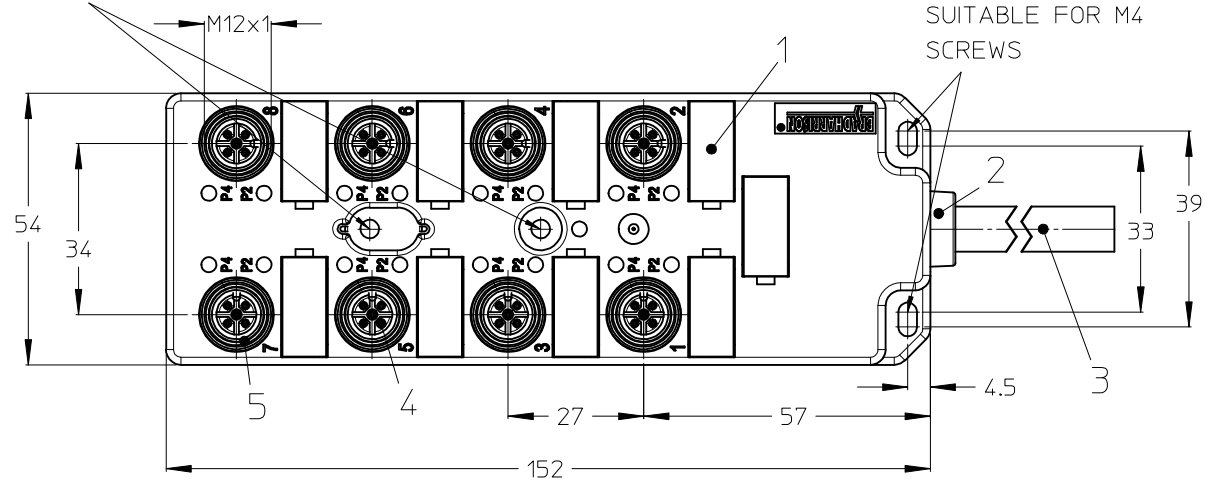


TABLE 1 BILL OF MATERIAL

ITEM	QTY	DESCRIPTION	MATERIAL	FINISH
1	9	LABEL	ABS	WHITE
2	1	CABLE PLATE	PBT	YELLOW
3	1	CABLE	SEE ENG. NO. MATRIX	SEE ENG. NO. MATRIX
4	40	CONTACT	BRASS	GOLD OVER NICKEL
5	8	O-RING	FPM	RED
6	8	SHELL	BRASS	NICKEL PLATED
7	17	LED	NON LED = PBT/ WITH LED = PA	NON LED=YELLOW/ WITH LED=TRANSPARENT
2	1	PROTECTING CAP	PP	BLACK
9	1	HOUSING	PBT	YELLOW

2X FIXING HOLES  
SUITABLE FOR M4 SCREWS

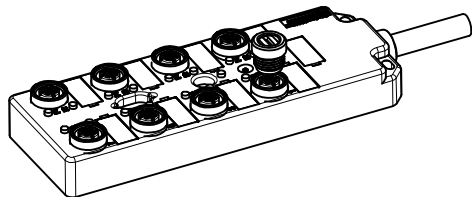
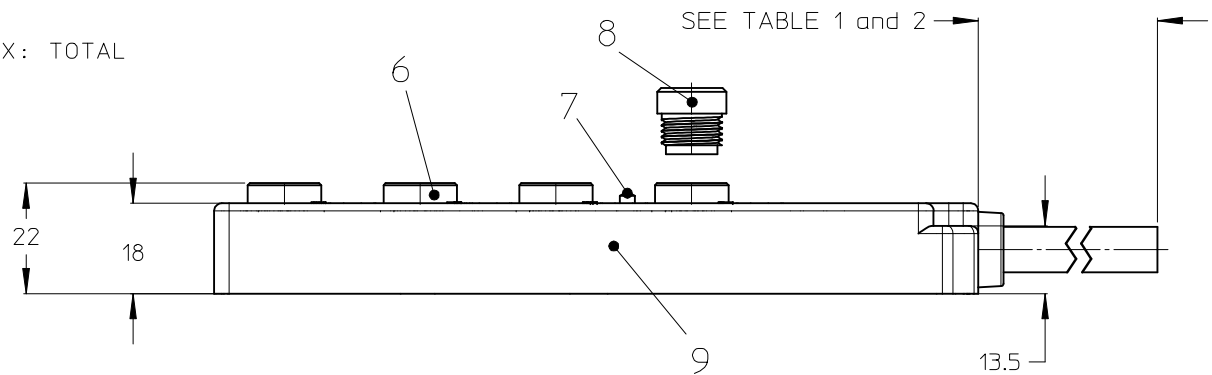
2X FIXING SLOT HOLES  
SUITABLE FOR M4  
SCREWS



GENERAL CHARACTERISTICS:

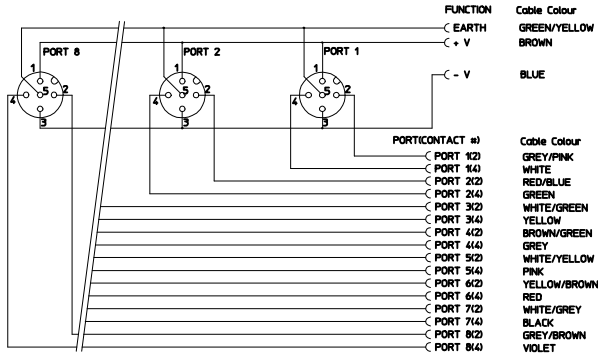
ELECTRICAL AND MECHANICAL DATA ACC. TO IEC 61076-2-101

- NOMINAL VOLTAGE: 24 V DC
- RATED CURRENT: 4 A PER PORT / 12 A MAX: TOTAL
- CONTACT RESISTANCE: ≤ 5 mOHM
- INSULATION RESISTANCE: > 10<sup>9</sup> OHM
- IP DEGREE OF PROTECTION: IP 67
- TEMPERATURE RANGE: -25°C to + 85°C

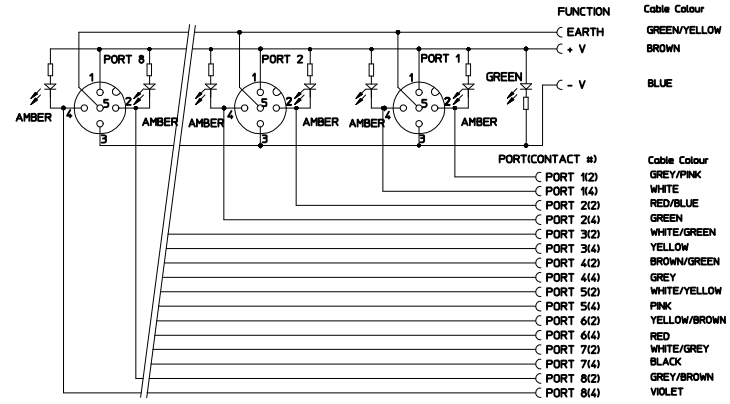


ENTER DESCRIPTION EC NO: IPG2014-0267 DRW:ULETTEMEIER2013/09/24 CHK:RSILLER 2013/09/25 APPR:CBURGER 2013/10/07	QUALITY SYMBOLS ▽=0 ▽=0	GENERAL TOLERANCES (UNLESS SPECIFIED)		DIMENSION STYLE MM ONLY	SCALE 1:1	DESIGN UNITS METRIC	THIRD ANGLE PROJECTION	
		4 PLACES ± --- ± --- 3 PLACES ± --- ± --- 2 PLACES ± 0.05 ± --- 1 PLACE ± 0.10 ± --- 0 PLACE ± --- ± ---	mm INCH	DRAWN BY DATE ULETTEMEIER 2013/07/04	TITLE MPIS M12 PNP NPN NOS 5P 8PT AC FE STR XM			
		ANGULAR ± .5 °	DRAFT WHERE APPLICABLE MUST REMAIN WITHIN DIMENSIONS	CHECKED BY DATE RSILLER 2013/07/10	APPROVED BY DATE CBURGER 2013/07/17			
	B1	REV	SEE TABLE 2	MATERIAL NO. SEE TABLE 2	DOCUMENT NO. SD-120114-003	SHEET NO. 1 OF 3		

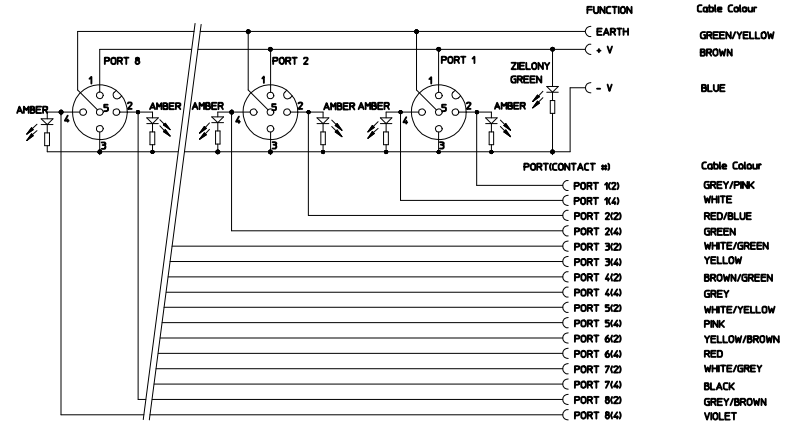
### WIRING DIAGRAM NON LED



### WIRING DIAGRAM NPN



### WIRING DIAGRAM PNP



<b>ENTER DESCRIPTION</b> EC NO: IPGZ014-0267 DRW:ULETTEMEIER 2013/09/24 CHKD:RSILLER 2013/09/25 APPR:CBURGER 2013/10/07	<b>QUALITY SYMBOLS</b> ▽=0 □=0	<b>GENERAL TOLERANCES (UNLESS SPECIFIED)</b>		<b>DIMENSION STYLE</b> MM ONLY		<b>SCALE</b> 1:1	<b>DESIGN UNITS</b> METRIC	<b>THIRD ANGLE PROJECTION</b>																															
		<table border="1"> <tr> <th></th> <th>mm</th> <th>INCH</th> </tr> <tr> <td>4 PLACES</td> <td>± ---</td> <td>± ---</td> </tr> <tr> <td>3 PLACES</td> <td>± ---</td> <td>± ---</td> </tr> <tr> <td>2 PLACES</td> <td>± 0.05</td> <td>± ---</td> </tr> <tr> <td>1 PLACE</td> <td>± 0.10</td> <td>± ---</td> </tr> <tr> <td>0 PLACE</td> <td>± ---</td> <td>± ---</td> </tr> </table>			mm	INCH	4 PLACES	± ---	± ---	3 PLACES	± ---	± ---	2 PLACES	± 0.05	± ---	1 PLACE	± 0.10	± ---	0 PLACE	± ---	± ---	<table border="1"> <tr> <th>DRAWN BY</th> <th>DATE</th> </tr> <tr> <td>ULETTEMEIER</td> <td>2013/07/04</td> </tr> <tr> <th>CHECKED BY</th> <th>DATE</th> </tr> <tr> <td>RSILLER</td> <td>2013/07/10</td> </tr> <tr> <th>APPROVED BY</th> <th>DATE</th> </tr> <tr> <td>CBURGER</td> <td>2013/07/17</td> </tr> </table>		DRAWN BY	DATE	ULETTEMEIER	2013/07/04	CHECKED BY	DATE	RSILLER	2013/07/10	APPROVED BY	DATE	CBURGER	2013/07/17	<b>TITLE</b> MPIS M12 PNP NPN NOS 5P 8PT AC FE STR XM			
			mm	INCH																																			
		4 PLACES	± ---	± ---																																			
3 PLACES	± ---	± ---																																					
2 PLACES	± 0.05	± ---																																					
1 PLACE	± 0.10	± ---																																					
0 PLACE	± ---	± ---																																					
DRAWN BY	DATE																																						
ULETTEMEIER	2013/07/04																																						
CHECKED BY	DATE																																						
RSILLER	2013/07/10																																						
APPROVED BY	DATE																																						
CBURGER	2013/07/17																																						
<b>REVISION</b> B1		ANGULAR ± .5 ° DRAFT WHERE APPLICABLE MUST REMAIN WITHIN DIMENSIONS		MATERIAL NO. <b>SEE TABLE 2</b>		DOCUMENT NO. SD-120114-003		SHEET NO. 2 OF 3																															

TABLE 2

MOLEX P/N	ENG. NR.	LED
1201140092	BTY8050-FBP-05	NO
1201140093	BTY8050-FBP-10	NO
1200550592	BTY8050-FBP-15	NO
1201140202	BTY805N-FBP-05	YES
1200550691	BTY805N-FBP-10	YES
1201140089	BTY805P-FBP-05	YES
1200550832	BTY805P-FBP-05-1	YES
1201140090	BTY805P-FBP-10	YES
1200550864	BTY805P-FBP-10-1	YES
1201140091	BTY805P-FBP-15	YES
1201148030	BTY805P-FBP-15-1	YES
1200550401	BTY805P-FBP-20	YES
1201148037	BTY805P-FBP-20-1	YES
1200550633	BTY805P-FBP-30	YES

ENG. NO. MATRIX:

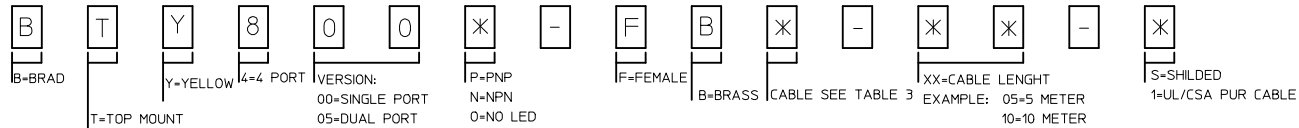


TABLE 3

CABLE	TEM. RANGE STATISCH	TEM. RANGE FLEXIBLE	CABLE DIAMETER (MM) SIGLE (4POLE) 4/6/8 PORT	CABLE DIAMETER (MM) DUAL (5POLE) 4/6/8 PORT	DRAG CHAIN	UL STYLE
P=PUR/PVC/Black	-30°C TO +90°C	-5°C TO +90°C	8.4 ±0.2 / 9.5±0.2 / 9.5 ±0.2	9.5 ±0.2 / 9.8 ±0.2 / 11.4 ±0.2	1.5 MIO. CYCLES	-
P=PUR/PVC/Black/UL/CSA	-25°C TO +90°C	-	7.5 ± 0.2	8.6 ± 0.2	-	-
N=PVC/GREY	-	-10°C TO +80°C	8.4 ± 0.2	9.5 ± 0.2	10 MIO. CYCLES	2464
I=CEI/GREY	-5°C TO +70°C	-	8.4 ± 0.2	9.5 ± 0.2	-	-
E=PVC/YELLOW	-5°C TO +70°C	-	8.4 ± 0.2	9.5 ± 0.2	-	-

ENTER DESCRIPTION EC NO: IPG2014-0267 DRWN: ULETTENMEIER 2013/09/24 CHKD: RSILLER 2013/09/25 APPR: CBURGER 2013/10/07 REV B1	QUALITY SYMBOLS ▽=0 ▽=0	GENERAL TOLERANCES (UNLESS SPECIFIED) mm INCH 4 PLACES ± --- ± --- 3 PLACES ± --- ± --- 2 PLACES ± 0.05 ± --- 1 PLACE ± 0.10 ± --- 0 PLACE ± --- ± --- ANGULAR ± .5 ° DRAFT WHERE APPLICABLE MUST REMAIN WITHIN DIMENSIONS	DIMENSION STYLE <b>MM ONLY</b> DRAWN BY DATE ULETTENMEIER 2013/07/04 CHECKED BY DATE RSILLER 2013/07/10 APPROVED BY DATE CBURGER 2013/07/17	SCALE <b>1:1</b> DESIGN UNITS <b>METRIC</b> FIRST ANGLE PROJECTION	TITLE <b>MPIS M12 PNP NPN NOS          5P 8PT AC FE STR XM</b>	<b>molex</b> MATERIAL NO. SEE TABLE 2 DOCUMENT NO. SD-120114-003	SHEET NO. <b>3 OF 3</b>
	THIS DRAWING CONTAINS INFORMATION THAT IS PROPRIETARY TO MOLEX INCORPORATED AND SHOULD NOT BE USED WITHOUT WRITTEN PERMISSION						

## X-ON Electronics

Largest Supplier of Electrical and Electronic Components

*Click to view similar products for [Specialized Cables](#) category:*

*Click to view products by [Molex](#) manufacturer:*

Other Similar products are found below :

[585P5S5S](#) [603PT6](#) [603SS6L](#) [604PT6](#) [604SS6](#) [654PT2](#) [654ST2](#) [M83513/04-H02C](#) [M83513/04-H13C](#) [FFA.3S.787.CN](#) [84914-0235](#) [84914-0237](#) [1200650264](#) [1200650355](#) [1200650362](#) [1200650442](#) [1200650880](#) [1200650968](#) [1200651246](#) [1200651756](#) [1200680096](#) [1200690050](#)  
[1200690242](#) [1200700176](#) [1200700218](#) [120070-0224](#) [1200700267](#) [1200730360](#) [120115-0033](#) [1201150044](#) [1200650368](#) [1200651330](#)  
[1200651454](#) [1200651516](#) [1200651571](#) [1200651580](#) [1200651601](#) [1200652122](#) [1200680196](#) [1200690085](#) [1200690095](#) [1200690153](#)  
[1200700177](#) [1200700187](#) [1200700190](#) [1200700208](#) [1200730278](#) [1200740059](#) [AC172](#) [R7A-CCA002P2](#)