

# TABLE 1 BILL OF MATERIAL

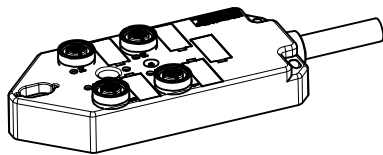
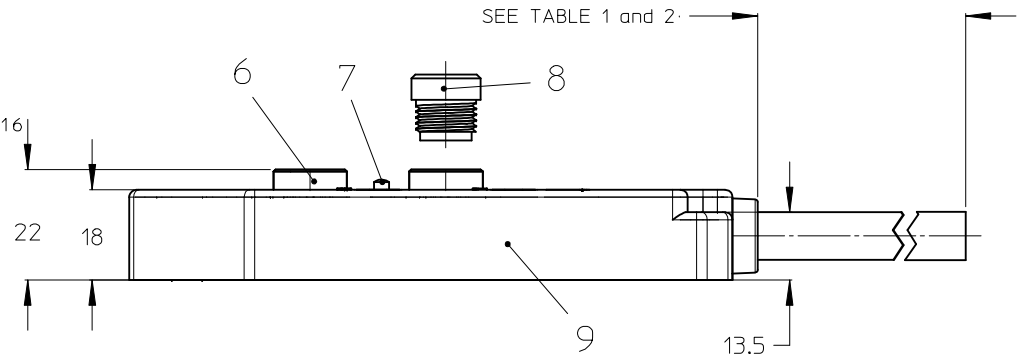
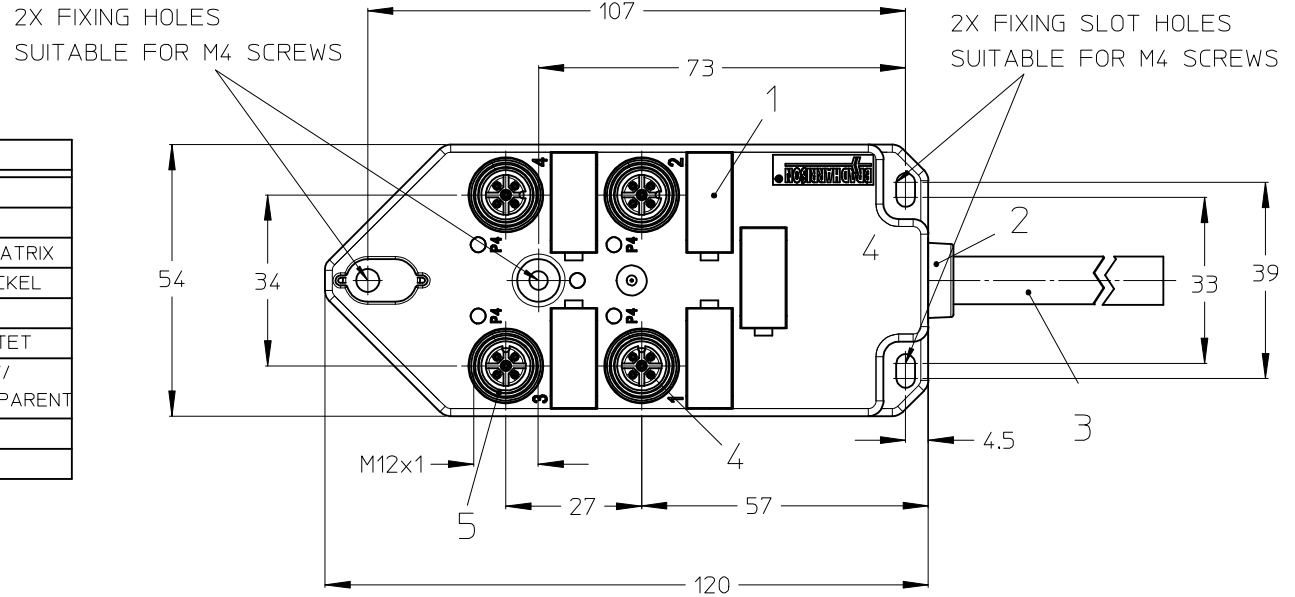
ITEM	QTY	DESCRIPTION	MATERIAL	FINISH
1	5	LABEL	ABS	WHITE
2	1	CABLE PLATE	PBT	YELLOW
3	1	CABLE	SEE ENG. NO. MATRIX	SEE ENG. NO. MATRIX
4	16	CONTACT	BRASS	GOLD OVER NICKEL
5	4	O-RING	FPM	RED
6	4	SHELL	BRASS	NICKEL PLATET
7	5	LED	NON LED = PBT/ WITH LED = PA	NON LED=YELLOW/ WITH LED=TRANSPARENT
8	2	PROTECTING CAP	PP	BLACK
9	1	HOUSING	PBT	YELLOW

## GENERAL CHARACTERISTICS

NOMINAL VOLTAGE: 10-30 V DC  
 POLUTION DEGREE: 3  
 RATED CURRENT: 4 A PER PORT / 12 A MAX: TOTAL  
 CONTACT RESISTANCE: ≤ 5 mOHM  
 ISULATION RESISTANCE: > 10<sup>10</sup> OHM  
 IP DEGREE OF PROTECTION: IP 67  
 IP 68 REFER TO TEST SUMMARY TS-120005-016

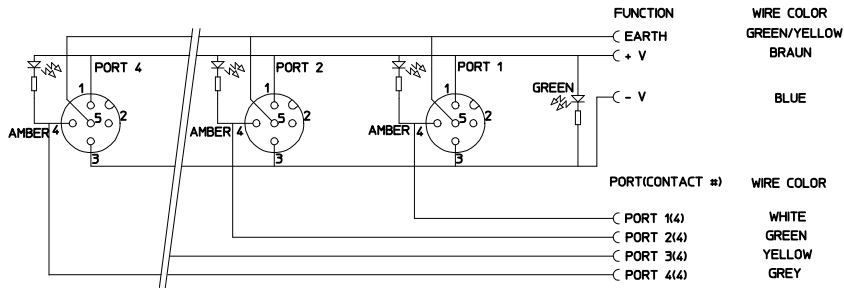
TEMPERATURE RANGE: -25°C to + 85°C  
 (BOX ONLY)

FLAMMABYLITY:  
 Insert: V0  
 HOUSING: V0  
 POTTING MATERIAL: V0

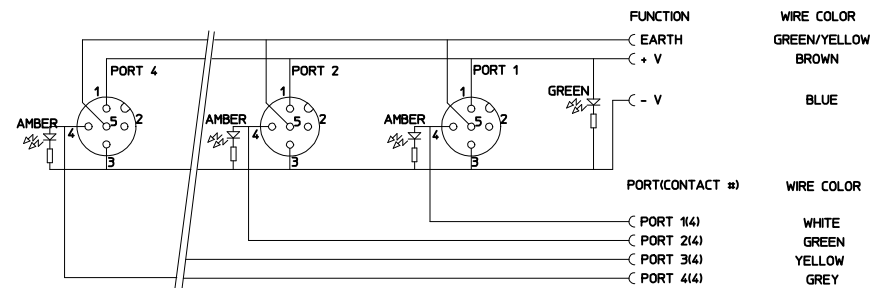


ENTER DESCRIPTION EC NO: IPG2014-0267 DRW:JULIETTE/MEIER/2013/09/24 CHK:DHS/ILLER 2013/09/25 APPR:CBURGER 2013/10/07	QUALITY SYMBOLS	GENERAL TOLERANCES (UNLESS SPECIFIED)		DIMENSION STYLE MM ONLY		SCALE 1:1	DESIGN UNITS METRIC	THIRD ANGLE PROJECTION
	▽=0	mm	INCH	DRAWN BY LSG	DATE 2011/08/18	TITLE MPIS M12 PNP NPN NOS 4P 4PT AC FE STR PUR PVC XM		
	▽=0	4 PLACES ± --- ± ---	3 PLACES ± --- ± ---	CHECKED BY ZISMAYILOV	DATE 2011/12/14	<b>molex</b> DOCUMENT NO. SD-120005-015		
		2 PLACES ± 0.1 ± ---	1 PLACE ± 0.2 ± ---	APPROVED BY CBURGER	DATE 2011/12/20			
	0 PLACE ± --- ± ---	ANGULAR ± 2 °		MATERIAL NO. SEE TABLE 2		THIS DRAWING CONTAINS INFORMATION THAT IS PROPRIETARY TO MOLEX INCORPORATED AND SHOULD NOT BE USED WITHOUT WRITTEN PERMISSION		
	DRAFT WHERE APPLICABLE MUST REMAIN WITHIN DIMENSIONS		SIZE A3					

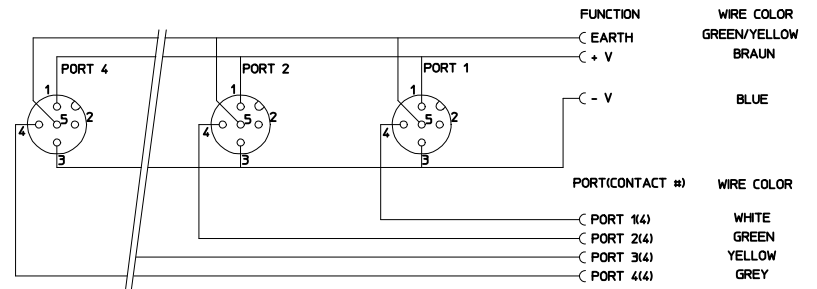
### WIRING DIAGRAM SINGLE PORT NPN



### WIRING DIAGRAM SINGLE PORT PNP



### WIRING DIAGRAM SINGLE PORT NON LED



<b>ENTER DESCRIPTION</b> EC NO: IPG2014-0267 DR:WULFETENWEIER 2013/09/24 CHKD:RSILLER 2013/09/25 APPR:CBURGER 2013/10/07	<b>QUALITY SYMBOLS</b> ▽=0 ◻=0	<b>GENERAL TOLERANCES (UNLESS SPECIFIED)</b>		<b>DIMENSION STYLE</b> MM ONLY	<b>SCALE</b> 1:1	<b>DESIGN UNITS</b> METRIC	THIRD ANGLE PROJECTION		
		4 PLACES ± --- ± ---	3 PLACES ± --- ± ---	2 PLACES ± 0.1 ± ---	1 PLACE ± 0.2 ± ---	0 PLACE ± --- ± ---	<b>TITLE</b> MPIS M12 PNP NPN NOS 4P 4PT AC FE STR PUR PVC XM		
		ANGULAR ± 2 °		DRAFT WHERE APPLICABLE MUST REMAIN WITHIN DIMENSIONS		MATERIAL NO. SEE TABLE 2	DOCUMENT NO. SD-120005-015		SHEET NO. 2 OF 3
		SIZE A3		THIS DRAWING CONTAINS INFORMATION THAT IS PROPRIETARY TO MOLEX INCORPORATED AND SHOULD NOT BE USED WITHOUT WRITTEN PERMISSION					
		REV C1		molex					

TABLE 2

MOLEX PN	ENG.NR.	LED	MOLEX P/N	ENG. NO	LED
1200051009	BTY400N-FBN-05	YES	1201148012	BTY400P-FBP-10	YES
1200051010	BTY400N-FBN-10	YES	1201140182	BTY400P-FBP-15	YES
1200051011	BTY400N-FBN-15	YES	1201148013	BTY400P-FBP-20	YES
1200051000	BTY400P-FBN-05	YES	1200550879	BTY400P-FBP-25	YES
1200051001	BTY400P-FBN-10	YES	1200550539	BTY400P-FBI-05	YES
1200051002	BTY400P-FBN-15	YES	1200550540	BTY400P-FBI-10	YES
1200050016	BTY400N-FBP-003	YES	1200550564	BTY400P-FBE-05	YES
1201148008	BTY400N-FBP-05	YES	1200550553	BTY400P-FBE-10	YES
1201148009	BTY400N-FBP-10	YES	1200550712	BTY400P-FBE-20	YES
1201148010	BTY400N-FBP-15	YES	1200550586	BTY4000-FBP-05	NO
1200050026	BTY400N-FBP-20	YES	1200550587	BTY4000-FBP-10	NO
1200550689	BTY400P-FBP-02	YES	1201140183	BTY4000-FBE-05	NO
1200050012	BTY400P-FBP-003	YES	1200550883	BTY400P-FBP-05-1	YES
1201148011	BTY400P-FBP-05	YES			

ENG. NO. MATRIX:

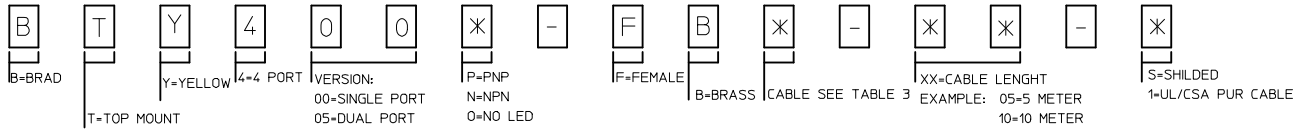


TABLE 3

CABLE	TEM. RANGE STATISCH	TEM. RANGE FLEXIBLE	CABLE DIAMETER (MM) SIGLE (4POLE) 4/6/8 PORT	CABLE DIAMETER (MM) DUAL (SPOLE) 4/6/8 PORT	DRAG CHAIN	UL STYLE
P=PUR/PVC/Black	-30°C TO +90°C	-5°C TO +90°C	8.4 ±0.2 / 9.5±0.2 / 9.5 ±0.2	9.5 ±0.2 / 9.8 ±0.2 / 11.4 ±0.2	1.5 MIO. CYCLES	-
P=PUR/PVC/Black/UL/CSA	-25°C TO +90°C	-	7.5 ± 0.2	8.6 ± 0.2	-	-
N=PVC/GREY	-	-10°C TO +80°C	8.4 ± 0.2	9.5 ± 0.2	10 MIO. CYCLES	2464
I=CEI/GREY	-5°C TO +70°C	-	8.4 ± 0.2	9.5 ± 0.2	-	-
E=PVC/YELLOW	-5°C TO +70°C	-	8.4 ± 0.2	9.5 ± 0.2	-	-

ENTER DESCRIPTION EC NO: IPG2014-0267 DRAWN:ULETTEMER 2013/09/24 CHKD:RSILLER 2013/09/25 APPR:CBURGER 2013/10/07 REV C1	QUALITY SYMBOLS ▽=0 ▽=0	GENERAL TOLERANCES (UNLESS SPECIFIED) mm INCH 4 PLACES ± --- ± --- 3 PLACES ± --- ± --- 2 PLACES ± 0.1 ± --- 1 PLACE ± 0.2 ± --- 0 PLACE ± --- ± --- ANGULAR ± 2 ° DRAFT WHERE APPLICABLE MUST REMAIN WITHIN DIMENSIONS	DIMENSION STYLE MM ONLY DRAWN BY LSG DATE 2011/08/18 CHECKED BY ZISMAYILOV DATE 2011/12/14 APPROVED BY CBURGER DATE 2011/12/20	SCALE 1:1 DESIGN UNITS METRIC THIRD ANGLE PROJECTION	TITLE MPIS M12 PNP NPN NOS 4P 4PT AC FE STR PUR PVC XM <b>molex</b>	MATERIAL NO. SEE TABLE 2	DOCUMENT NO. SD-120005-015	SHEET NO. 3 OF 3
	THIS DRAWING CONTAINS INFORMATION THAT IS PROPRIETARY TO MOLEX INCORPORATED AND SHOULD NOT BE USED WITHOUT WRITTEN PERMISSION							

## X-ON Electronics

Largest Supplier of Electrical and Electronic Components

*Click to view similar products for [Circular MIL Spec Connector](#) category:*

*Click to view products by [Molex](#) manufacturer:*

Other Similar products are found below :

[89075GULPR](#) [0025-262-542](#) [0025-264-3014](#) [58-570121-04S](#) [0134-213-1208](#) [0134-213-2209](#) [0025-258-000](#) [60-042022-07P](#) [60-042022-19P](#)  
[60-042022-23P](#) [60-042217-10P](#) [0114-201-1278](#) [012-0467-000](#) [602GB06EG24-61SN](#) [0134-201-1207](#) [0134-213-1006](#) [6104-207-2302](#) [6104-](#)  
[208-1902](#) [61-168211-04P](#) [61-168617-10P](#) [6131-202-19149P](#) [6131-204-21149P](#) [6131-208-13149P](#) [6131-209-17149P](#) [6131-210-11149P](#) [6131-](#)  
[211-19149P](#) [6131-216-19149P](#) [6131-259-21149P](#) [6131-259-23149P](#) [6131-265-17149P](#) [6131-265-19149P](#) [CS3100A18-1P-472](#) [CS3100A-36-](#)  
[77P](#) [CS3101A-16-55P](#) [CS3102A-10SL-55P](#) [CS3102A-14S-58P](#) [CS3102A-32-17P](#) [CS3102A32-25S](#) [CS3102C18-4P-472](#)  
[CS3106A10SL3S004](#) [CS3106A-18-73S](#) [CS3108A-14S-52S](#) [CS3108A-28-51S](#) [6162-233-1277](#) [6162-324-1231](#) [M243082296Z](#)  
[M2884010AC1S1](#) [CT0-24-10SC](#) [CT0M20-7PCAU](#) [M28840/17AC1G3](#)