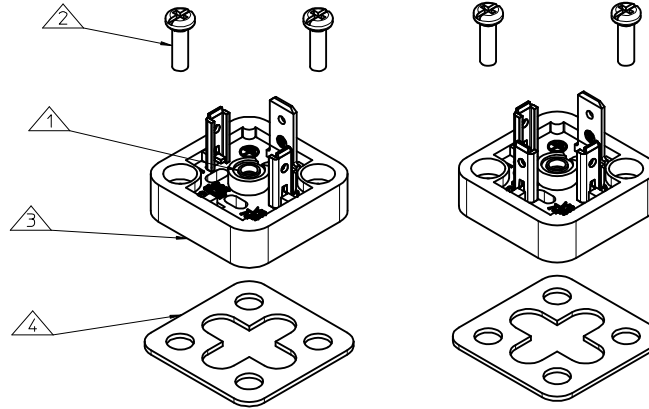


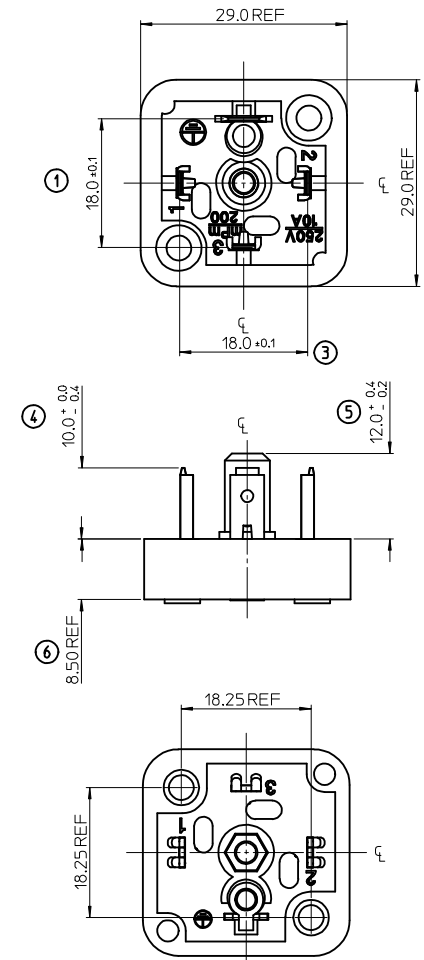
B202000N2**

SERIES _____
 B20= FORM A BASE SERIES
 POLES _____
 2= 2 POLE & 3= 3 POLE
 CURVED BASE DIAMETER _____
 000 = FLAT
 MATERIAL AND HOUSING COLOR _____
 G= PA6 GRAY, N= PA6 BLACK, W= PA6 BLACK V0
 GASKET & SCREWS _____
 1= NBR INTEGRATED GASKET & SCREWS
 2= NBR FLAT GASKET & SCREWS
 4= SILICON FLAT GASKET & SCREWS
 0= WITHOUT GASKET AND SCREWS
 ADDITIONAL INFORMATION _____
 UR= UL APPROVED
 SA= UL LISTED



B202 SERIES BASE

B203 SERIES BASE

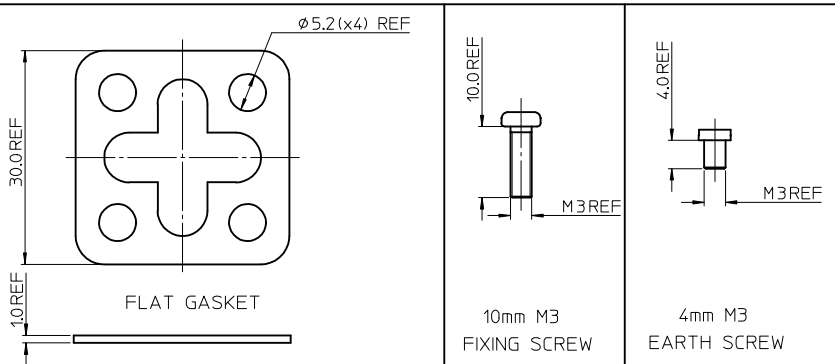


NOTES

- FOR SPECIFIC PART NUMBERS PLEASE CONTACT SALES OR CONSULT THE INTELLIGENT PART NUMBERS IN THE TABLE ATTACHED
- PRODUCT SPEC: SEE PS-121201-001
- PACKAGING SPEC: SEE PK-121012-B20

LAST INSPECTION NUMBER USED 5

Part No	MPM Part No	DESCRIPTION	BEND ANGLE
1210120013	B202000N2	PLATTE 2+ERDE 2-DIAGONAL	180°
1210120161	B202000G2	BAS QUAD.202 GRIGIA 2P+T	180°
1210120168	B202000W2SA	BAS202 NERA UL94 V0 UL LISTED	180°
1210120169	B203000W2SA	BAS203 NERA UL94 V0 UL	180°
1210120019	B203000N2	STD. BASE 3 POLE+EARTH FLAT	180°



ITEM	DESCRIPTION
1	CENTRE SCREW
2	FIXING SCREWS
3	BASE
4	GASKET

ADDED PART NUMBER EC NO: IPG2014-053Z DRAWN: KIRKMOYLE 2013/09/17 CHKD: OSHEA 2013-10-23 APPR: STURTELLIN 2013/11/11	QUALITY SYMBOLS ▽=0 ▽=0	GENERAL TOLERANCES (UNLESS SPECIFIED)		DIMENSION STYLE MM ONLY	SCALE 1:1	DESIGN UNITS METRIC	THIRD ANGLE PROJECTION		
		4 PLACES ± --- ± --- 3 PLACES ± --- ± --- 2 PLACES ± 0.10 ± --- 1 PLACE ± 0.20 ± ---	mm INCH	DRAWN BY DMAHER_WEU	DATE 2010/03/18	TITLE B20 SERIES BASES			
		DRAFT WHERE APPLICABLE MUST REMAIN WITHIN DIMENSIONS		APPROVED BY JWALLACE	DATE 2010/03/24	MOLEX INCORPORATED			
				MATERIAL NO. SEE TABLE	DOCUMENT NO. SD-121012-013	SHEET NO. 1 OF 1			

X-ON Electronics

Largest Supplier of Electrical and Electronic Components

Click to view similar products for [Heavy Duty Power Connectors](#) category:

Click to view products by [Molex](#) manufacturer:

Other Similar products are found below :

[1424439](#) [1424438](#) [09330062652](#) [2-8675P1](#) [580129-2](#) [605601-1](#) [6340G1](#) [6341G1](#) [6360G1](#) [6373G1](#) [6374g2](#) [6396G1](#) [647757-1](#) [66394-4](#) [6643411-1](#)
[6646058-2](#) [6646137-1](#) [6646138-1](#) [6646348-1](#) [6646479-1](#) [6646608-1](#) [6646786-1](#) [6651091-1](#) [6651525-1](#) [6651529-1](#) [6651778-1](#) [6651788-1](#) [696465-](#)
[1](#) [696475-1](#) [73000005059](#) [73000005326](#) [73000005349](#) [73080255059](#) [73080965046](#) [765-15-0080A](#) [765-16-0080B](#) [789.700-44](#) [789.700-54](#) [80-1010](#)
[80-9](#) [827381-1](#) [829992-1](#) [902-77-02113](#) [PL00U-301-10D10](#) [PL00V-301-10D10](#) [PM103MOOLOO](#) [PM16S1620S32-50](#) [PM206MRALHB](#)
[PM212MOOLOO](#) [PM309FOOLOO](#)